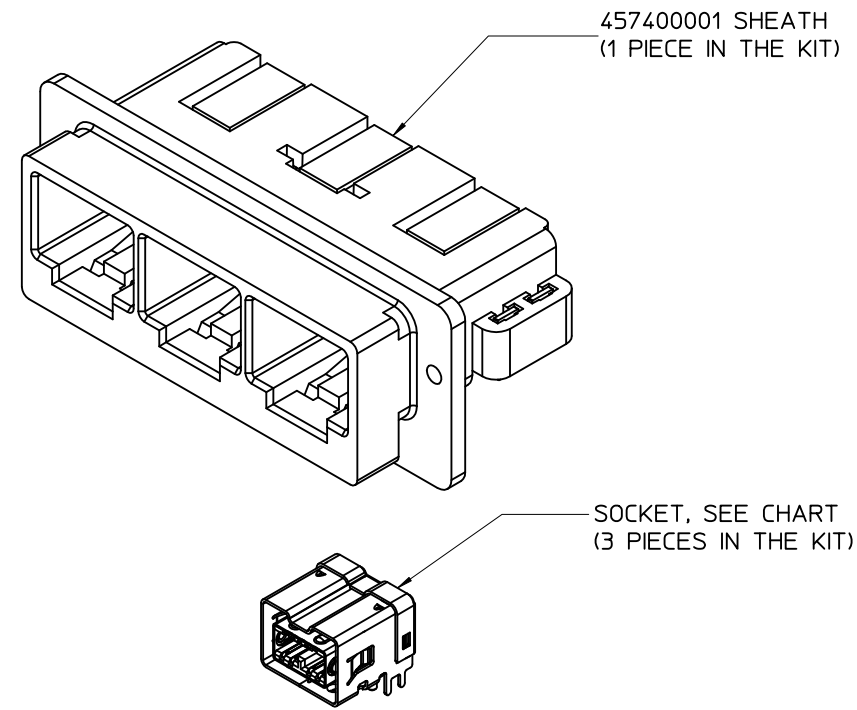


KIT PART NUMBER	KIT PACKAGING	SOCKET PART NUMBER	SOCKET PACKAGING STYLE	SHEATH PACKAGING STYLE
45740-1001	PER PK-45740-101	46270-0001	TRAY	TRAY
45740-1002	PER PK-45740-102	46270-0002	TAPE & REEL	TRAY



- NOTES:
1. MATERIAL: SEE THE BODY OF THE DRAWING.
 2. FINISH:
TRIPLE PORT SHEATH: SEE SD-45740-001
BILINGUAL SOCKET: SEE SD-46270-001
 3. PRODUCT SPECIFICATION: PS-45740-001
 4. PACKAGING: SEE CHART
 5. THE PARTS CONFORM TO CLASS "B" REQUIREMENTS OF COSMETIC SPECIFICATION PS-45499-002.

ADD SOCKET PART # EC NO: UCP2011-2133 3) DRAWN/KIPPER 2011/01/18 CHKD: BANDERSON 2011/01/18 APPR: FSMITH 2011/01/27	QUALITY SYMBOLS $\nabla F/0$ $\nabla F/0$ $\nabla F/0$	GENERAL TOLERANCES (UNLESS SPECIFIED) <table border="1"> <thead> <tr> <th></th> <th>mm</th> <th>INCH</th> </tr> </thead> <tbody> <tr> <td>4 PLACES</td> <td>\pm ---</td> <td>\pm ---</td> </tr> <tr> <td>3 PLACES</td> <td>\pm ---</td> <td>\pm ---</td> </tr> <tr> <td>2 PLACES</td> <td>\pm ---</td> <td>\pm ---</td> </tr> <tr> <td>1 PLACE</td> <td>\pm ---</td> <td>\pm ---</td> </tr> </tbody> </table>		mm	INCH	4 PLACES	\pm ---	\pm ---	3 PLACES	\pm ---	\pm ---	2 PLACES	\pm ---	\pm ---	1 PLACE	\pm ---	\pm ---	DIMENSION STYLE MM ONLY	SCALE 2:1	DESIGN UNITS METRIC	THIRD ANGLE PROJECTION
		mm	INCH																		
	4 PLACES	\pm ---	\pm ---																		
	3 PLACES	\pm ---	\pm ---																		
2 PLACES	\pm ---	\pm ---																			
1 PLACE	\pm ---	\pm ---																			
DRAWN BY PELOZA	DATE 04/05/07	TITLE SHEATH AND SOCKET KIT TRIPLE PORT SHEATH																			
CHECKED BY PELOZA	DATE 04/05/07	MOLEX INCORPORATED																			
APPROVED BY COMERCI	DATE 04/05/07	MATERIAL NO. SEE CHART	DOCUMENT NO. SD-45740-101	SHEET NO. 1 OF 1																	