

EDM1-CF-IMX6SX



Main Features

- ARM Cortex-A9 Single core + ARM Cortex M4
Freescale i.MX6 SoloX EDM Type 1 compact System-on-Module.
- Dual gigabit LAN and optional WiFi/BT connectivity.
- Support for Android, Linux, Yocto and MQX realtime OS



Power 5 VDC	LAN	TTL		2 nd LAN		I ² S 2 nd	SPDIF	CANBus x2	SD	SPI x2	UART x2	Buttons + GPIO	RSVD
		LVDS	HDMI	PCIe x1	SATA 1 st	USB OTG	USB Host				I ² S 1 st		

Specifications

Core System

Signalling	EDM Type 1 compliant
CPU	Freescale i.MX6SoloX @ 1Ghz
Technology	ARM Cortex-A9 single core + ARM Cortex M4
PMIC	Freescale MMPF0100
System Memory	up to 2GB DDR3
Storage	eMMC (default 4GB) QSPI (default 256MB) optional NAND Flash (MOQ apply)
Debug Interface	JTAG Interface by thruhole
FPC Connector	ADC Signals

Connectivity

Network	Two (2) Atheros AR8031 Gigabit LAN
WiFi	Broadcom BCM4330 802.11bgn
Bluetooth	Broadcom BCM4330 BT 4.0

I/O Interfaces

Storage	1x SDIO / MMC
Expansion	1x PCIe 2.0
Display	1 channel LVDS 18/24 bit 24 bit RGB TTL
USB	USB Host 2.0 USB OTG 2.0
CAN Bus	2x Flex CAN version 2.0B compliant
Serial Port	2x UART
Other	SPI, I ² C, I ² S, GPIO

Video

GPU 3D	Vivante GC400T 17Mtri/s 133Mpxl/s
Open GL ES 2.0	Image re-sizing, rotation, overlay and CSC Pixel Processing Pipeline
PXP	

Audio

Interface	I ² S (2 channel), S/P DIF
Audio Codec	on EDM Carrier Board

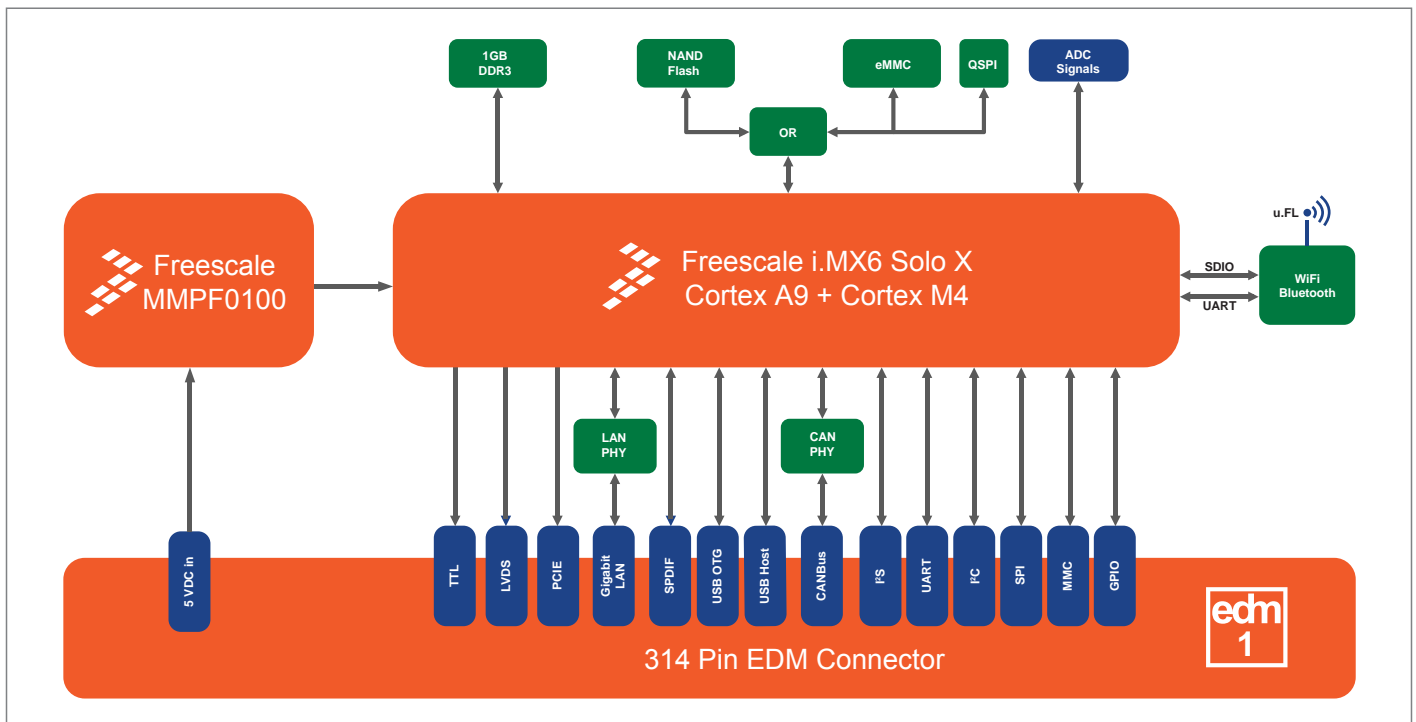
Power Specifications

Input power	5 VDC +/- 5%
-------------	--------------

Operation Systems

Standard Support	Linux Yocto Android
Extended Support	Commercial Linux Windows Embedded Compact Real Time OS

Block Diagram



Environmental and Mechanical

Temperature	Commercial : 0° to 60° C Extended : -20° to 70° C Industrial : -40° to 85° C (no WiFi)
Humidity	10 to 90%
Module Connector	314 pins MXM3
Form Factor	EDM Compact Form Factor
Dimensions	82 x 60 mm (3 $\frac{5}{8}$ x 2 $\frac{3}{8}$ inch)
MTBF	>100,000 hours
Weight	20 grams
Shock	50G / 25ms
Vibration	20G / 0-600 Hz

Ordering Information

EDM1-CF-IMX6X10-R1GB-NI4G-2L-2C

EDM Compact Type 1 Freescale i.MX6 SoloX 1Ghz + 1GB DDR3 + 4GB eMMC + 2 Gigabit LAN + 2 CAN

EDM1-CF-IMX6X10-R1GB-NI4G-BW-2L-2C

EDM Compact Type 1 Freescale i.MX6 SoloX 1Ghz + 1GB DDR3 + 4GB eMMC + Gigabit LAN + 2 CAN + 802.11 bgn + Bluetooth 4.0

* Feel free to contact us for custom tailored Carrier Board request for your projects.

Dimensions

(units in mm)

