

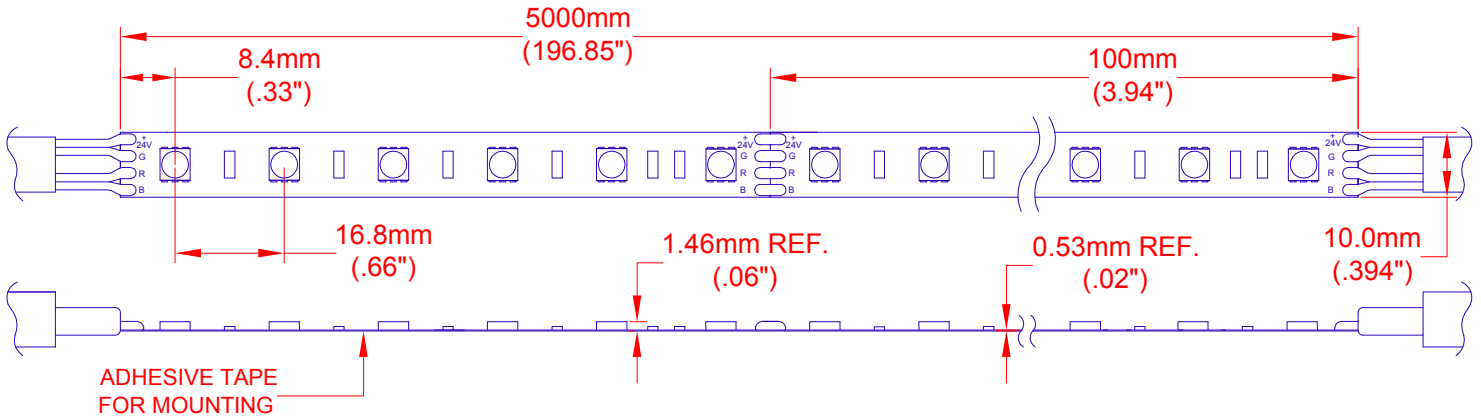
# 10mm X 5000mm RGB LIGHT RIBBON

## FEATURES

VOLTAGE: 24V DC  
 CURRENT: 3.0A  
 LED VIEWING ANGLE (2 θ 1/2): 100°

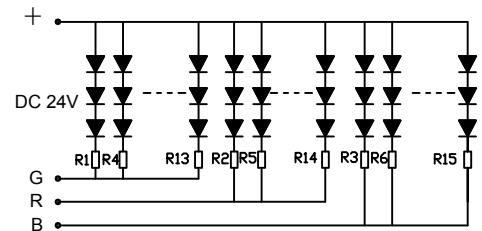
STANDARD PACKAGING:  
 5 METER REEL (300 LED'S)

OPTIONAL PACKAGING:  
 INDIVIDUAL 500mm SECTIONS (30 LED'S)  
 ORDER AS ZFS-105000-24RGB/SEC  
 Note: Individual Sections ARE NOT supplied with insulated wire connections.



### Electrical/Optical Characteristics at TA = 25°C

Parameter	Symbol	Color	Condition	Min	Typ	Max	Unit
Forward Voltage DC	VF	RGB	IF = 3.0A	--	24	--	V
Dominant Wavelength	λD	R	IF = 1.0A	618	630	--	nm
		G	IF = 1.0A	515	524	--	
		B	IF = 1.0A	455	470	--	
Luminous Flux	φV	R	IF = 1.0A	--	428	--	lm
		G	IF = 1.0A	--	1508	--	
		B	IF = 1.0A	--	143	--	
Recommend Forward Current	IF(rec)	--	--	--	2.4	--	A

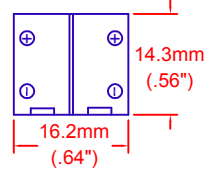


### Absolute Maximum Rating at TA = 25°C

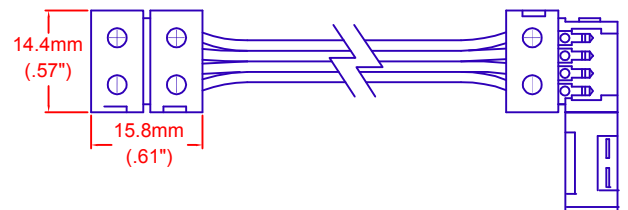
Parameter	Symbol	Absolute Maximum Rating	Unit
Forward Current	IF	3	A
Power Dissipation	PD	72	W
Electrostatic Discharge	ESD	400	V
Operating Temperature	Topr	-20~+50	°C
Storage Temperature	Tstg	-30~+80	°C

## Mating Components

ZFS-CH0-RGB10J Flex to Flex  
 No Solder Connector



ZCH-170-RGB-J Flex Ribbon Joiner Harness



**ATTENTION**  
 OBSERVE PRECAUTION  
 FOR HANDLING ELECTROSTATIC  
 DISCHARGE SENSITIVE DEVICES

JKL PART NO.: ZFS-105000-24RGB

	METRIC	DIMENSIONS ARE IN mm (INCHES)		<b>JKL COMPONENTS CORPORATION</b>					
		TOLERANCE UNLESS OTHERWISE SPECIFIED						TITLE	
THIRD ANGLE PROJECTION		1 PL +/- REF.		24 V RGB LED FLEX STRIP					
		2 PL +/- REF.							
		ANGLE +/-							
REV. NO.	DESCRIPTION/ECO	APPV'D DATE	- CAD DRAWING -		SCALE	RELEASED DATE	REVISION DATE	REV. NO.	SHEET
A	CHANGE MATING COMPONENT RELEASED	3/29/16	MANUAL REVISIONS NOT PERMITTED		NONE	3/15/16	3/29/16	A	1 OF 1

APPV'D DATE	3/29/16
DATE	3/15/16

SIZE	FSCM NO.	DRAWING NO.
A	55335	ZFS-105000-24RGB