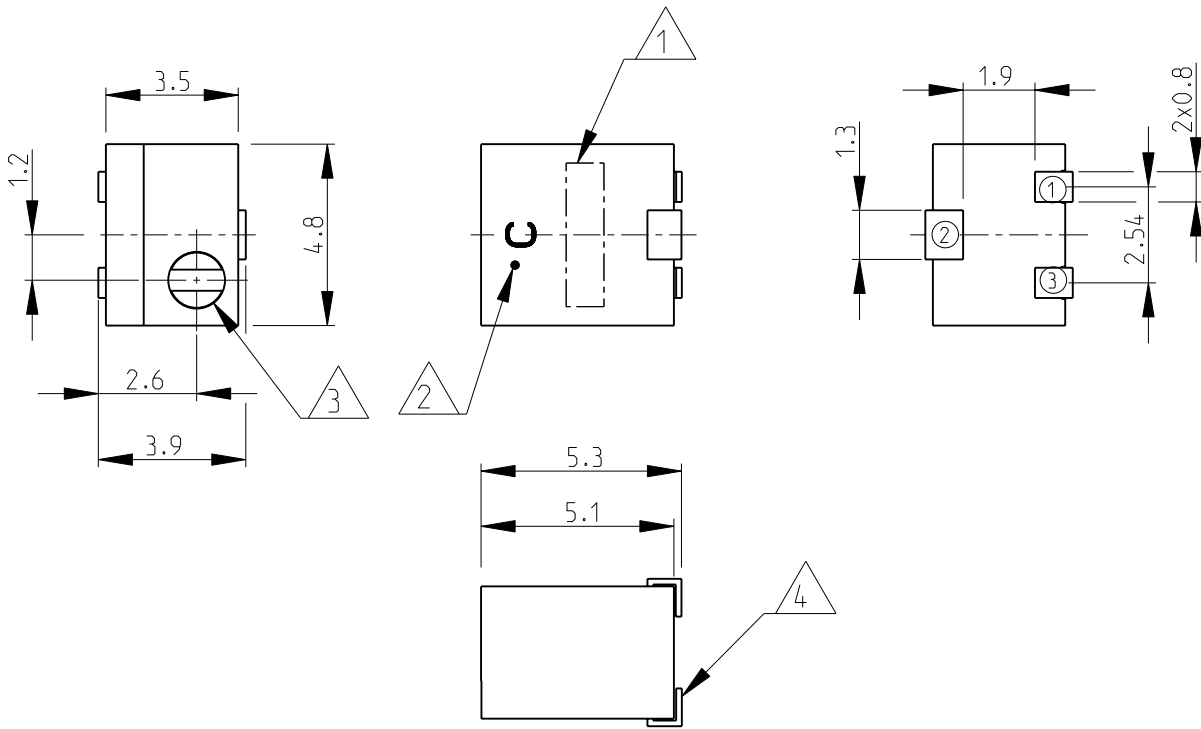


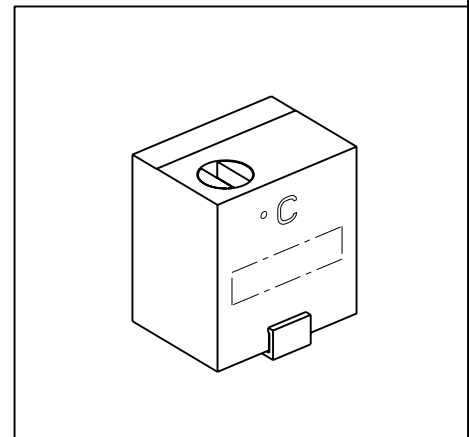
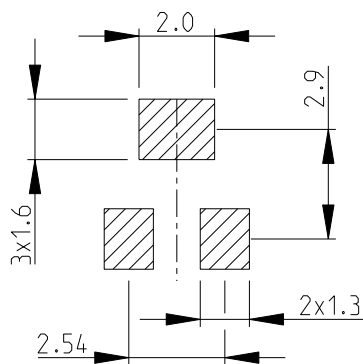
|     |      |           |     |             |           |     |      |
|-----|------|-----------|-----|-------------|-----------|-----|------|
| LOC | DIST | REVISIONS |     |             |           |     |      |
| E   | B    | P         | LTR | DESCRIPTION | DATE      | DWN | APVD |
|     |      |           | BA  | NEW RELEASE | 01-DEC-08 | SM  | St.P |



- ① RESISTANCE/DATE CODE
- ② LEAD-FREE IDENTIFICATION MARK
- ③ TOP ADJUSTMENT SLOT:  
Ø1.5; WIDTH- 0.56; DEPTH- 0.5
- ④ THICKNESS- 0.15mm

5 FOR FURTHER INFORMATION SEE DATA SHEET FOR 3240 SERIES-SMD PROFESSIONAL TRIMMERS

RoHS Compliant



2008

RELEASED FOR PUBLICATION

THIS DRAWING IS UNPUBLISHED.

BY TYCO ELECTRONICS CORPORATION. ALL RIGHTS RESERVED.

|  |                  |           |  |              |            |               |
|--|------------------|-----------|--|--------------|------------|---------------|
| DIMENSIONS:<br>mm                      | DWN              | 01-DEC-08 | MATERIAL   | -            | FINISH     | -             |
|  | SUBHASH.M        |           |  |              |            |               |
| TOLERANCES UNLESS OTHERWISE SPECIFIED: | CHK              | 01-DEC-08 | Tyco Electronics Corporation<br>Dorcan, Swindon, SN3 5HH |              |            |               |
|  | PRAKASH.S        |           |  |              |            |               |
| 0 PLC ±0.2                             | APVD             | 01-DEC-08 | NAME<br>SMD PROFESSIONAL TRIMMERS<br>SERIES 3240W        |              |            |               |
| 1 PLC ±0.1                             | STEPHEN.P        |           |  |              |            |               |
| 2 PLC ±-                               | PRODUCT SPEC     | -         | SIZE   | CAGE CODE    | DRAWING NO | RESTRICTED TO |
| 3 PLC ±-                               | APPLICATION SPEC | -         | A 4  | 00779        | ©= 1623924 | -             |
| 4 PLC ±-                               |                  |           | WEIGHT   | 0.2g Approx. |            |               |
| ANGLES ±5°                             |                  |           | CUSTOMER DRAWING   |              | SCALE      | 5:1           |
|  |                  |           |  |              | SHEET      | 1 OF 1        |
|  |                  |           |  |              | REV        | BA            |