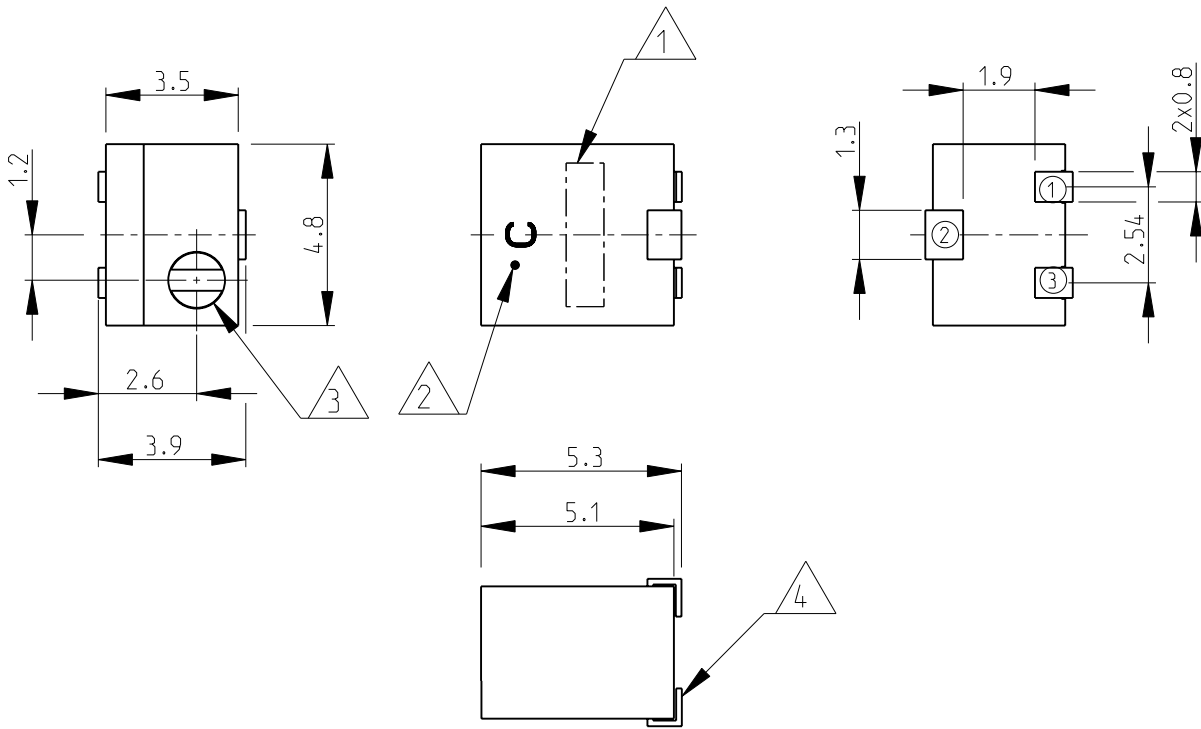


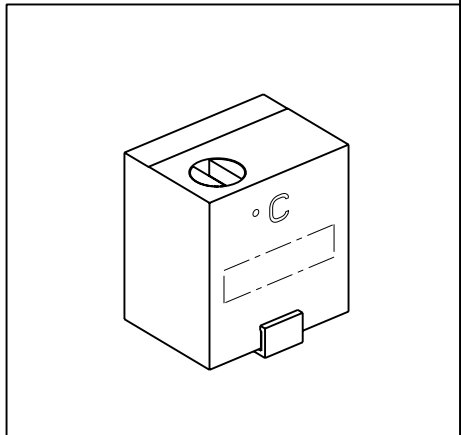
LOC	DIST	REVISIONS					
E	B	P	LTR	DESCRIPTION	DATE	DWN	APVD
			BA	NEW RELEASE	01-DEC-08	SM	St.P



- ① RESISTANCE/DATE CODE
- ② LEAD-FREE IDENTIFICATION MARK
- ③ TOP ADJUSTMENT SLOT:
Ø1.5; WIDTH- 0.56; DEPTH- 0.5
- ④ THICKNESS- 0.15mm

5 FOR FURTHER INFORMATION SEE DATA SHEET FOR 3240 SERIES-SMD PROFESSIONAL TRIMMERS

RoHS Compliant



2008

RELEASED FOR PUBLICATION

THIS DRAWING IS UNPUBLISHED.

BY TYCO ELECTRONICS CORPORATION. ALL RIGHTS RESERVED.

DIMENSIONS:	DWN	01-DEC-08	MATERIAL	FINISH
mm	SUBHASH.M		-	-
TOLERANCES UNLESS OTHERWISE SPECIFIED:	CHK	01-DEC-08	Tyco Electronics Corporation Dorcan, Swindon, SN3 5HH	
0 PLC ±0.2	APVD	01-DEC-08		
1 PLC ±0.1	STEPHEN.P		NAME	
2 PLC ±-	PRODUCT SPEC		SMD PROFESSIONAL TRIMMERS	
3 PLC ±-	APPLICATION SPEC		SERIES 3240W	
4 PLC ±-			SIZE	CAGE CODE
ANGLES ±5°			A 4	00779
	WEIGHT	0.2g Approx.	DRAWING NO	RESTRICTED TO
			©= 1623924	-
	CUSTOMER DRAWING		SCALE	SHEET
			5:1	1 OF 1
				REV
				BA