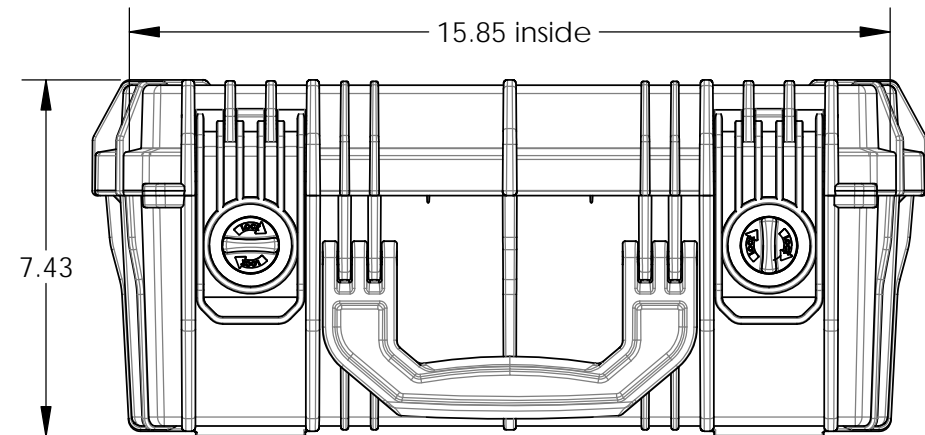
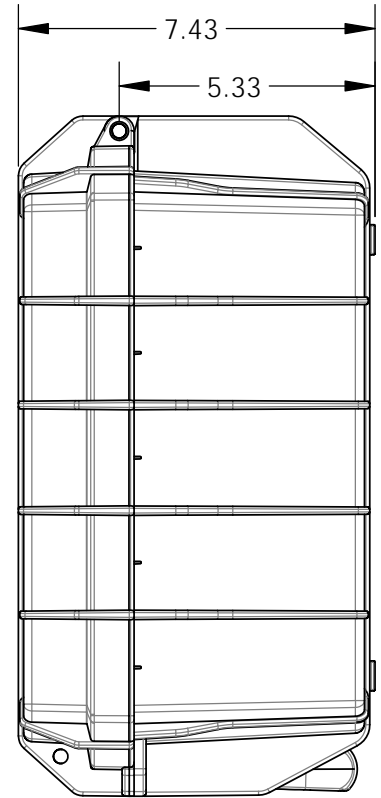
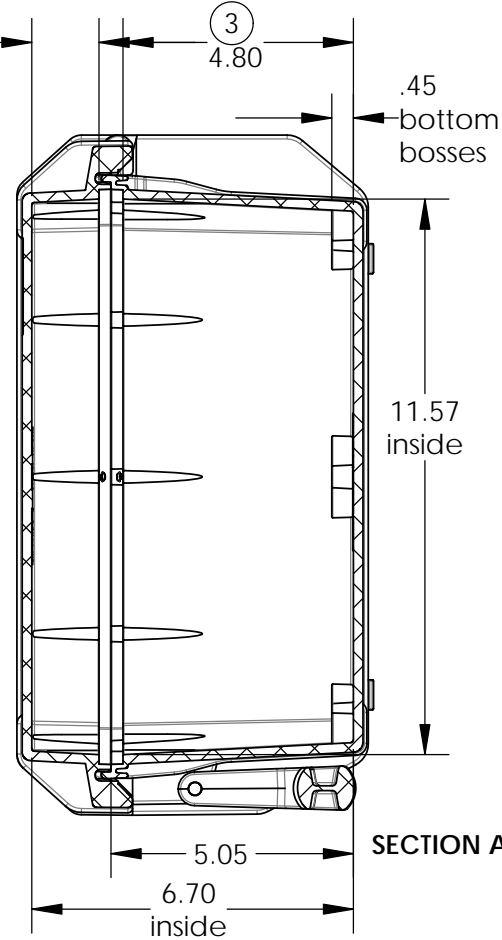
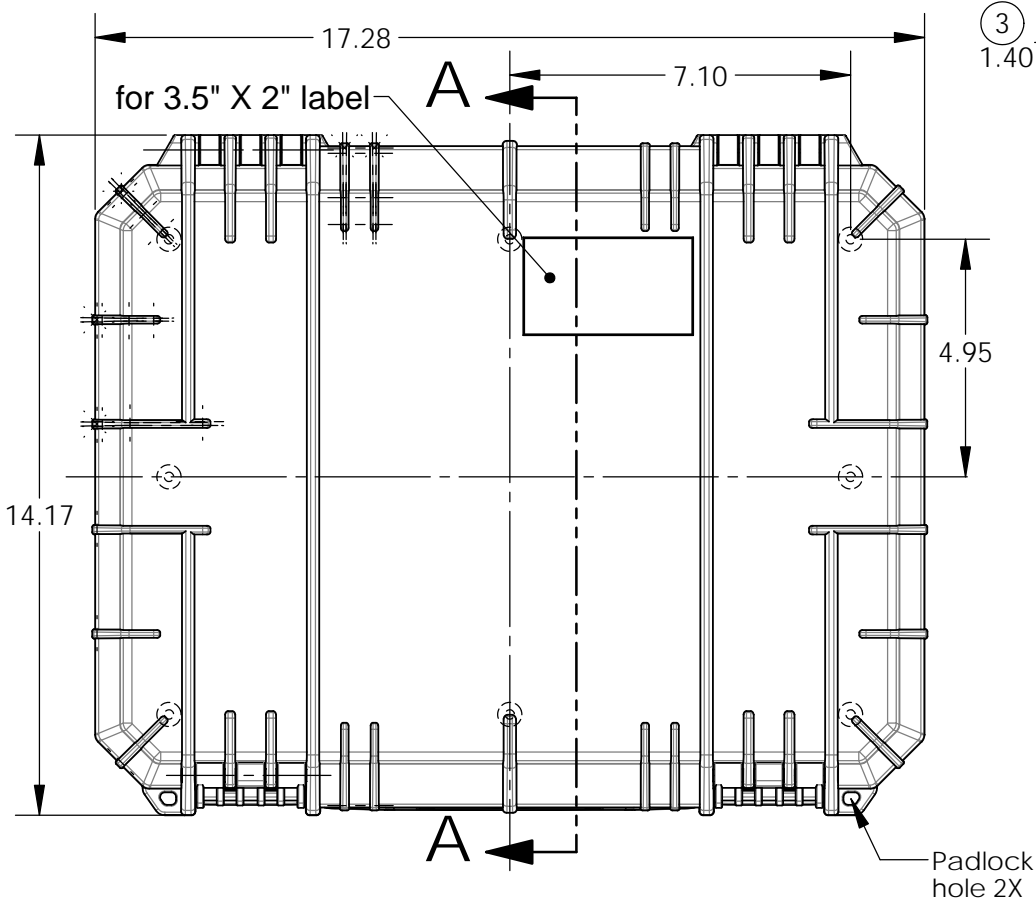


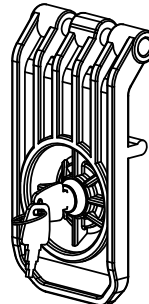
SERPAC SE630

Electronic Enclosures



SE630ML

Optional latch with metal lock. See note 4



NOTES:

- 1) Max. usable inside dimensions are:
15 13/16" X 11 5/8" X 6 11/16" (6 1/4" top of boss)
dim. are approx.
- 2) Bosses on bottom use a 1/4 self tapping screw.
- 3) Dimensions to bottom of panel flange.
- 4) Optional latches with Metal Lock
Specify p/n SE630ML.