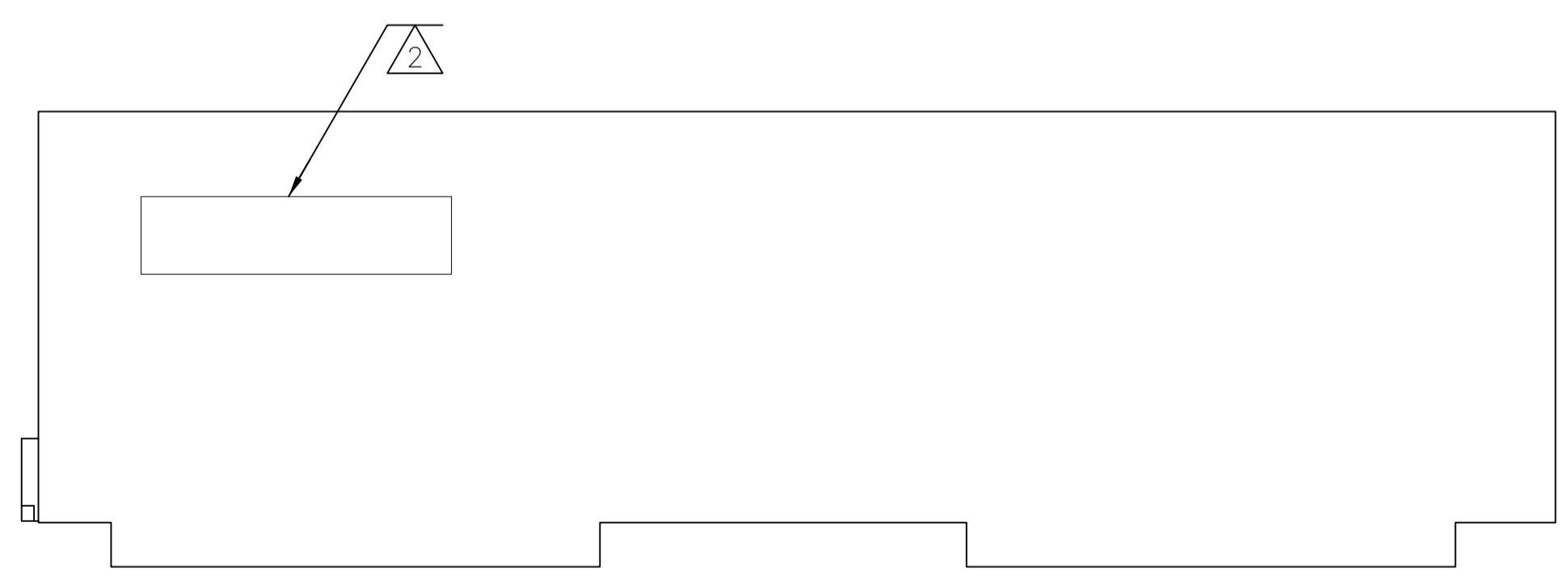
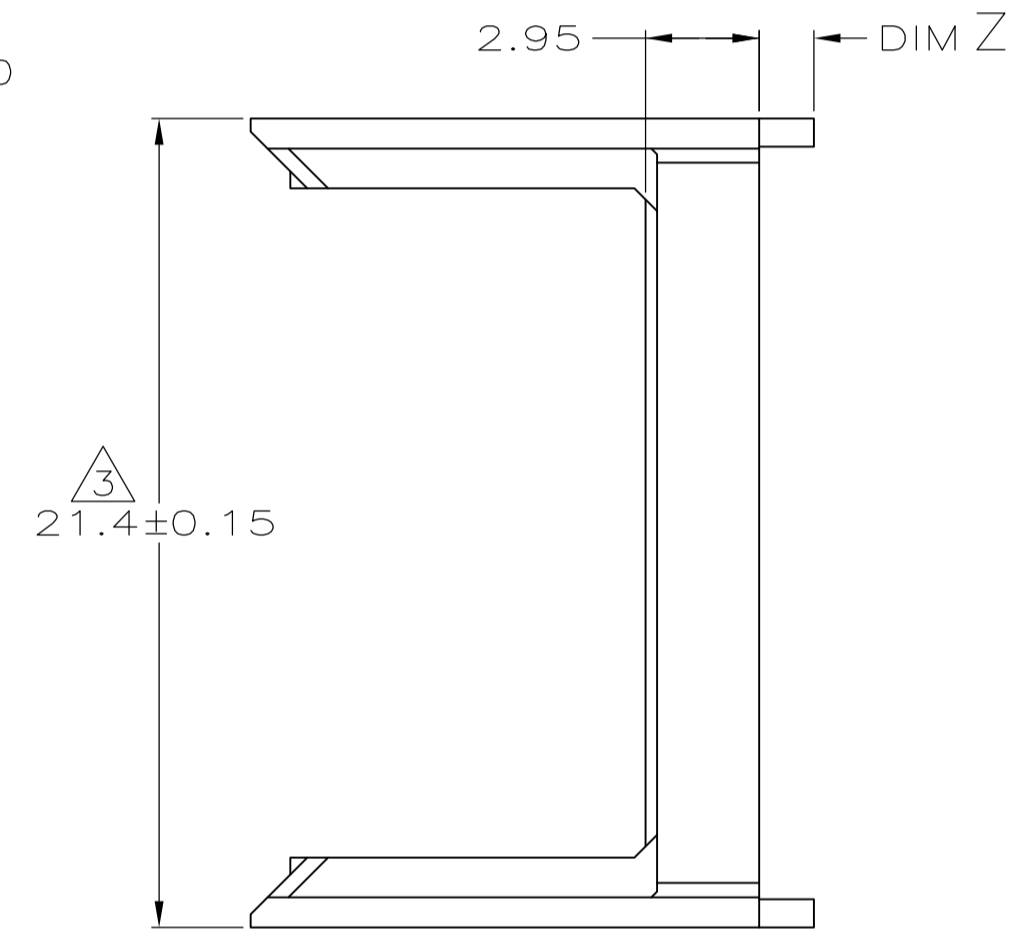
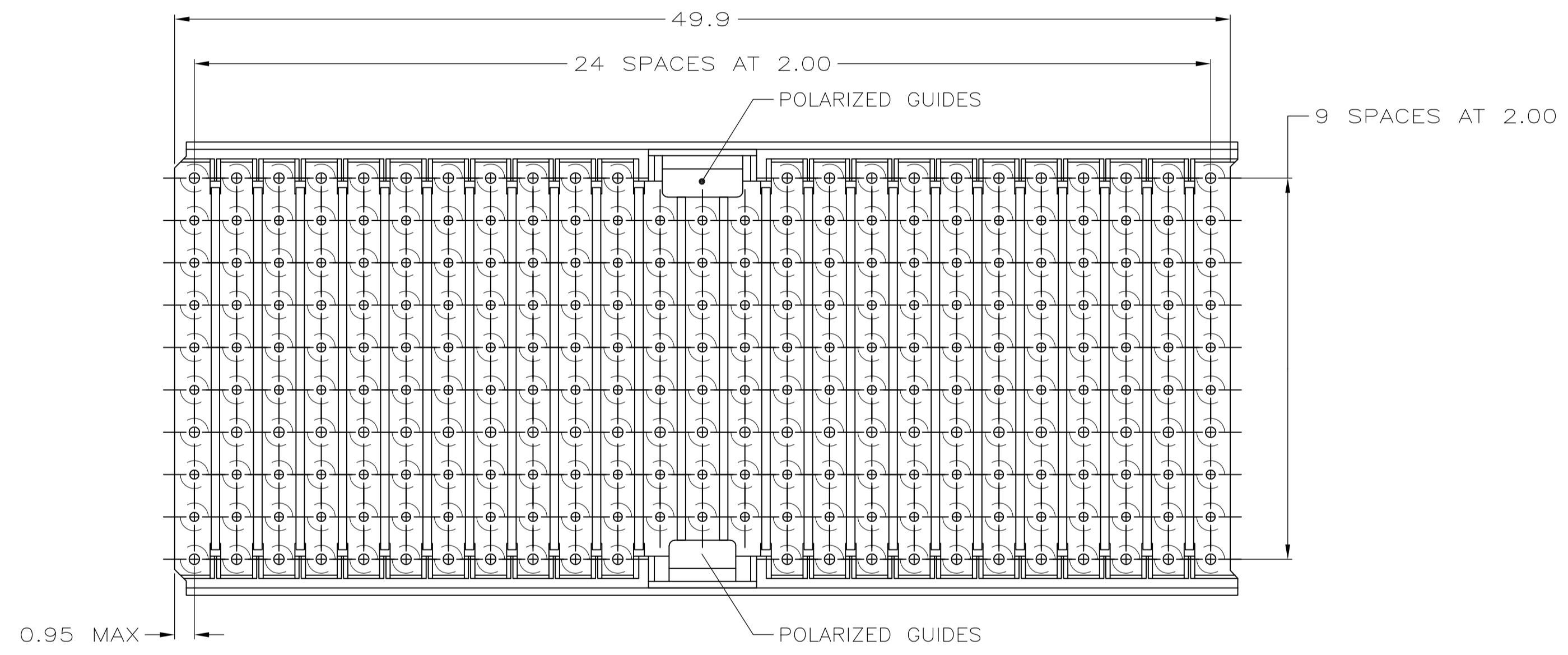
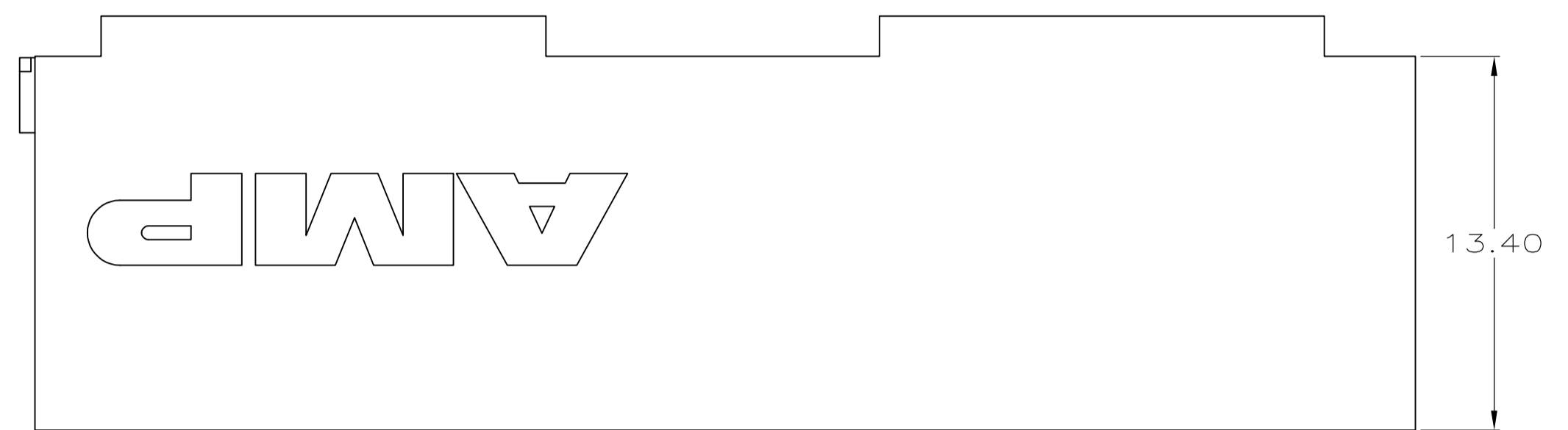


LOC		DIST		REVISIONS			
AD	47	REV	DATE	BY	CHKD	APPD	
C		REVISD PER ECO-07-027626	28NOV07	DH	JE		
C1		REVISD PER ECO-10-000443	21JAN10	KK	HMR		
D		ECR-10-019054	15SEP10	DP	MQW		

- △ MATERIAL: GLASS FILLED POLYESTER.
- △ PART NUMBER MARKED IN APPROXIMATE AREA SHOWN.
- △ TO BE MEASURED AT BASE OF SHROUD.
- △ OBSOLETE PARTS: OBSOLETE CIS STREAMLINING PER D.RENAUD/D.SINISI



△ OBSOLETE	△ DIM Z	PART NUMBER
1.90		646726-7
1.70		646726-6
1.50		646726-5
1.30		646726-4
1.10		646726-3
0.90		646726-2
-		646726-1

THIS DRAWING IS A CONTROLLED DOCUMENT.

DIN	L. BRINER	8/20/00	Tyco Electronics Corporation Harrisburg, PA 17105-3608
CHK	R. PATTERSON	8/20/00	
APP'D	R. PATTERSON	8/20/00	NAME
PRODUCT SPEC			SHROUD, Z-PACK 2mm HM, TYPE D/E, 10 ROW, 244 POSITION
APPLICATION SPEC			SIZE
WEIGHT			A1 00779 C=646726
CUSTOMER DRAWING			SCALE 5:1 SHEET 1 OF 1 REV D