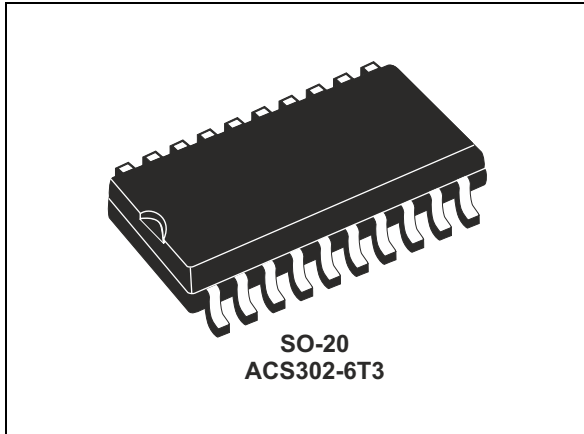


3-line overvoltage protected AC switch array

Datasheet - production data



Features

- 3-line AC switch array
- Overvoltage protection
- High static immunity and dynamic commutation
- $V_{DRM}, V_{RRM} = 600\text{ V}$
- $T_J = 125\text{ }^\circ\text{C max.}$
- $I_{GT} < 5\text{ mA}$

Application

Drive of low power highly inductive or resistive loads like:

- Relay, valve, solenoid
- Dispenser, door lock
- Pump, fan, micro-motor

Table 1. Device summary

| Order code | Package | V_{DRM}, V_{RRM} | I_{GT} |
|------------|---------|--------------------|----------|
| ACS302-6T3 | SO-20 | 600 V | 5 mA |

Description

ACS302 offers 3 AC switches in one single package with 600 V blocking voltage, high commutation and noise immunity - all that is required for inductive load control.

Its high integration allows reduced space consumption of PCB.

ACS302 enables inductive application to be compliant with IEC 61000-4-4 and IEC 61000-4-5.

Figure 1. Pinout

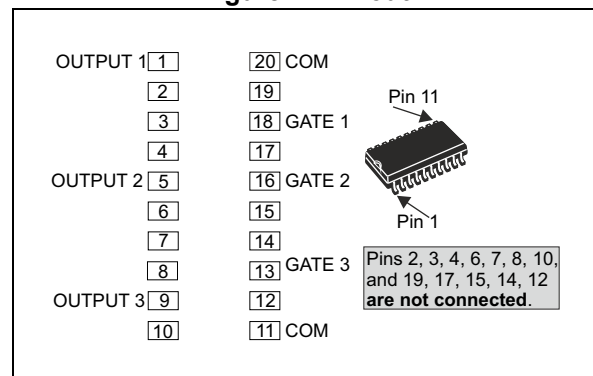
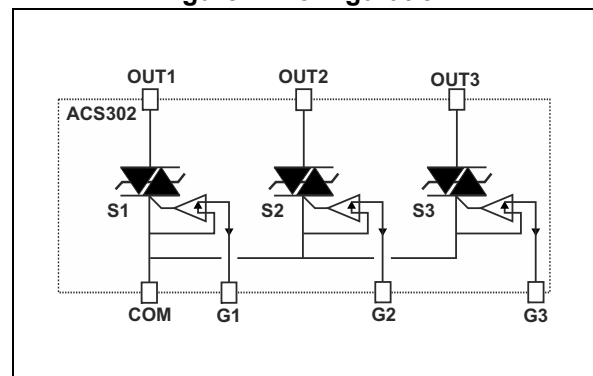


Figure 2. Configuration



ACS is a registered trademark of STMicroelectronics

1 Characteristics

Table 2. Absolute maximum ratings – for one switch and $T_J = 25\text{ °C}$, unless otherwise specified

| Symbol | Parameter | | | Value | Unit | |
|--------------------|---|-----------------------|-------------------------------|-----------------------|------------------|---|
| $I_{T(RMS)}$ | On-state rms current (180° conduction angle, full sine wave) | 1 switch ON | $T_a = 110\text{ °C}$ | 0.2 | A | |
| | | 2 or 3 switches ON | $T_a = 90\text{ °C}$ | 0.4 | A | |
| I_{TSM} | Non repetitive surge peak on-state current (T_J initial = 25 °C) | | | $t_p = 16.7\text{ms}$ | 7.6 | A |
| | | | | $t_p = 20\text{ ms}$ | 7.3 | |
| I^2t | I^2t value for fusing | | $t_p = 10\text{ms}$ | 0.38 | A ² s | |
| di/dt | Critical rate of rise of on-state current $I_G = 2 \times I_{GT}$, $t_r \leq 100\text{ ns}$ | | $F = 120\text{ Hz}$ | 50 | A/ μs | |
| V_{DRM}, V_{RRM} | Repetitive peak off-state voltage | | $T_J = 125\text{ °C}$ | 600 | V | |
| $V_{pp}^{(1)}$ | Non-repetitive line peak pulse voltage | | | 2 | kV | |
| I_{GM} | Peak gate current | $T_J = 125\text{ °C}$ | $t_p = 20\text{ }\mu\text{s}$ | 1 | A | |
| P_{GM} | Peak gate power | $T_J = 125\text{ °C}$ | $t_p = 20\text{ }\mu\text{s}$ | 10 | W | |
| $P_{G(AV)}$ | Average gate power dissipation | | | 0.1 | W | |
| T_{stg} | Storage junction temperature range | | | -40 to +150 | °C | |
| T_J | Operating junction temperature range | | | -40 to +125 | °C | |
| T_L | Maximum lead temperature for soldering during 10 s. | | | 260 | °C | |

1. According to test described by IEC 61000-4-5 standard and figure 3

Table 3. Electrical characteristics (for one switch and $T_J = 25\text{ °C}$, unless otherwise specified)

| Symbol | Test conditions | Quadrants | | Value | Unit |
|-------------|--|-----------------------|-----|-------|------------------|
| I_{GT} | $V_{OUT} = 12\text{ V}$, $R_L = 33\text{ }\Omega$ | II - III | MIN | 0.25 | mA |
| | | | MAX | 5 | |
| V_{GT} | $V_{OUT} = 12\text{ V}$, $R_L = 33\text{ }\Omega$ | | MAX | 0.9 | V |
| V_{GD} | $V_{OUT} = V_{DRM}$, $R_L = 3.3\text{ k}\Omega$, $T_J = 125\text{ °C}$ | II - III | MIN | 0.15 | V |
| I_H | $I_T = 100\text{ mA}$, gate open | | MAX | 20 | mA |
| I_L | $I_G = 1.2 I_{GT}$ | II - III | MAX | 25 | mA |
| dV/dt | $V_{OUT} = 400\text{ V}$, gate open | $T_J = 125\text{ °C}$ | MIN | 300 | V/ μs |
| $(di/dt)_c$ | $(dV/dt)_c = 15\text{ V}/\mu\text{s}$, turn-off time $\leq 20\text{ ms}$ | $T_J = 125\text{ °C}$ | MIN | 0.15 | A/ms |
| t_{gt} | $I_{TM} = 1\text{ A}$, $V_D = 400\text{ V}$, $I_G = 100\text{ mA}$, $dI_G/dt = 100\text{ mA}/\mu\text{s}$, $R_L = 400\text{ }\Omega$ | | TYP | 2 | μs |
| V_{CL} | $I_{CL} = 0.1\text{ mA}$, $t_p = 1\text{ ms}$ | | MIN | 650 | V |

Table 4. Static electrical characteristics (for one switch)

| Symbol | Test conditions | | Value | Unit | |
|-----------------------|--|---------------------------|-------|---------------|------------------|
| V_{TM} | $I_{TM} = 0.3 \text{ A}$, $t_p = 380 \mu\text{s}$ | $T_j = 25^\circ\text{C}$ | MAX | 1.2 | V |
| V_{TO} | Threshold voltage | $T_j = 125^\circ\text{C}$ | | 0.8 | V |
| R_D | Dynamic resistance | $T_j = 125^\circ\text{C}$ | | 500 | $\text{m}\Omega$ |
| I_{DRM} , I_{RRM} | $V_{OUT} = 600 \text{ V}$ | $T_j = 25^\circ\text{C}$ | | 2 | μA |
| | | $T_j = 125^\circ\text{C}$ | 200 | μA | |

Table 5. Thermal resistance

| Symbol | Parameter | Value | Unit |
|---------------|--------------------------|-------|---------------------------|
| $R_{th(j-a)}$ | Junction to ambient (AC) | 80 | $^\circ\text{C}/\text{W}$ |

Figure 3. Maximum power dissipation versus rms on-state current (per switch).

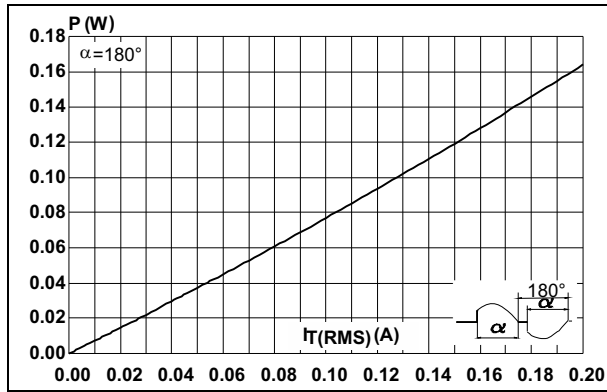


Figure 4. On-state rms current versus ambient temperature (free air convection)

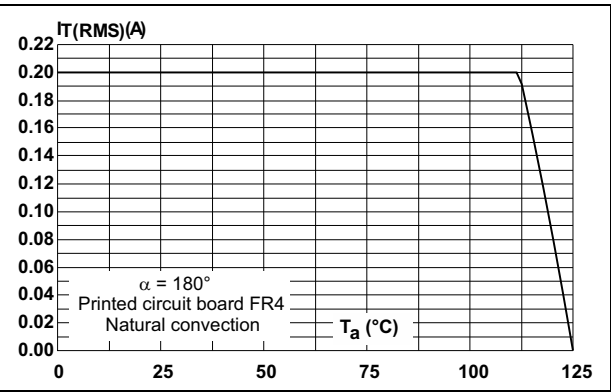


Figure 5. Relative variation of thermal impedance junction to ambient versus pulse duration

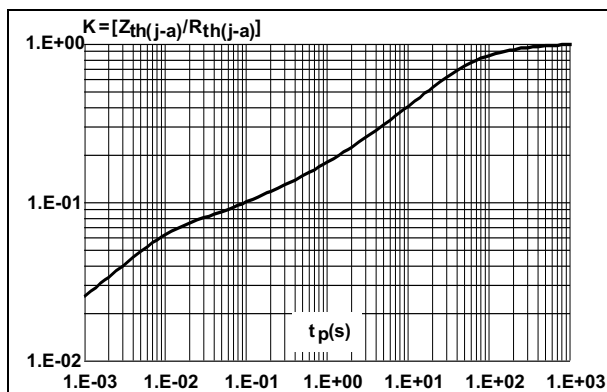


Figure 6. Relative variation of gate triggering current and voltage (IGT, VGT) versus junction temperature (typical values)

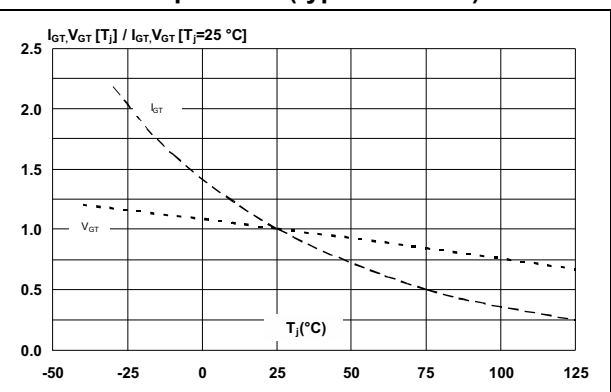


Figure 7. Relative variation of holding current and latching current (I_H , I_L) versus junction temperature (typical values)

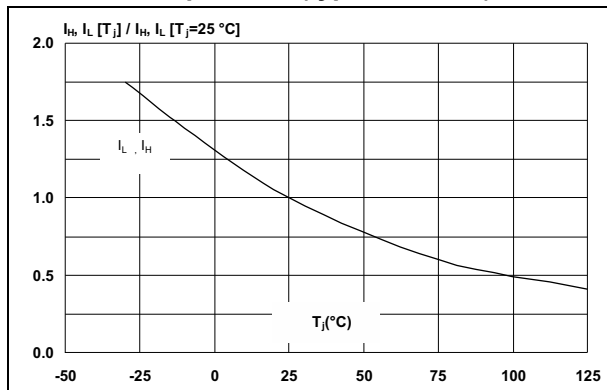


Figure 8. Surge peak on-state current versus number of cycles

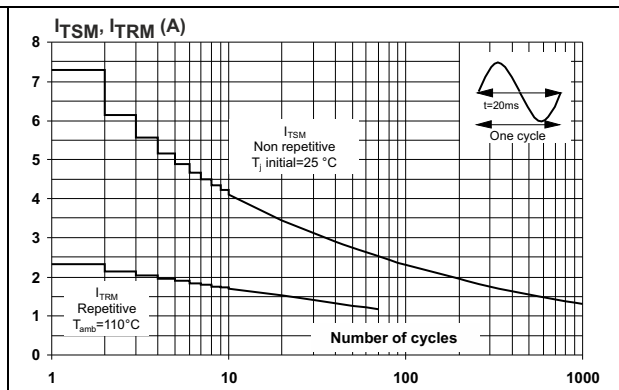


Figure 9. Non-repetitive surge peak on-state current for a sinusoidal pulse with width $t_p < 10\text{ms}$, and corresponding value of I^2t

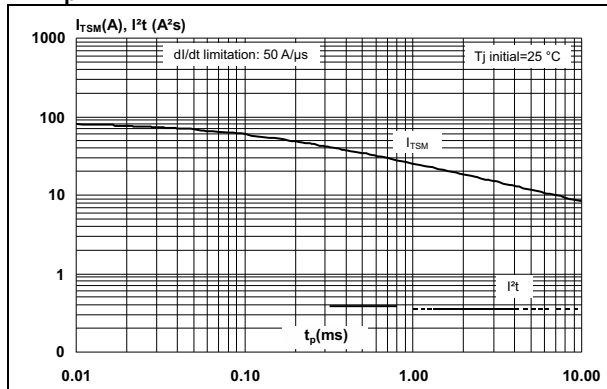


Figure 10. On-state characteristics (maximum values)

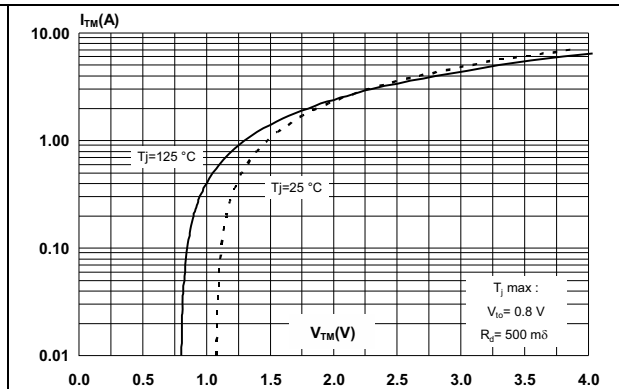


Figure 11. Relative variation of critical rate of decrease of current $(dI/dt)_c$ versus junction temperature (typical values)

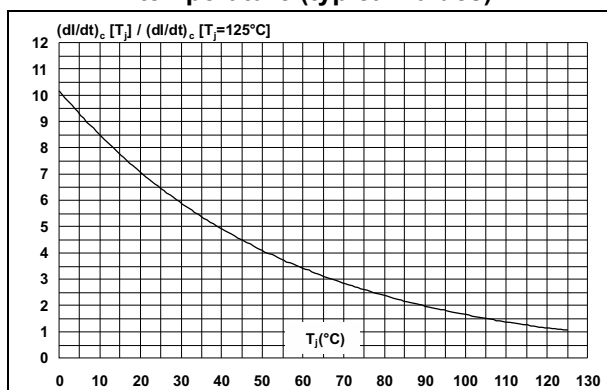


Figure 12. Relative variation of critical rate of decrease of current $(dI/dt)_c$ versus dV/dt (typical values)

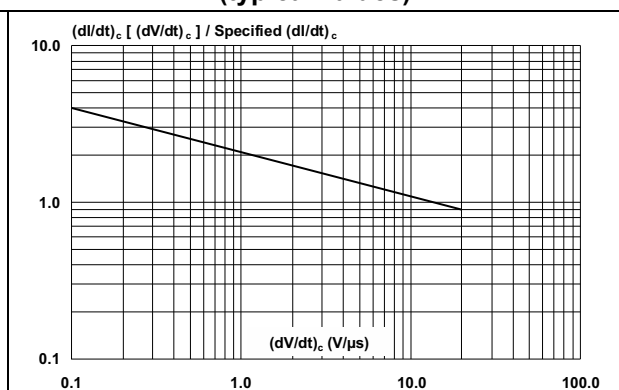


Figure 13. Relative variation of dV/dt immunity versus junction temperature (typical values)

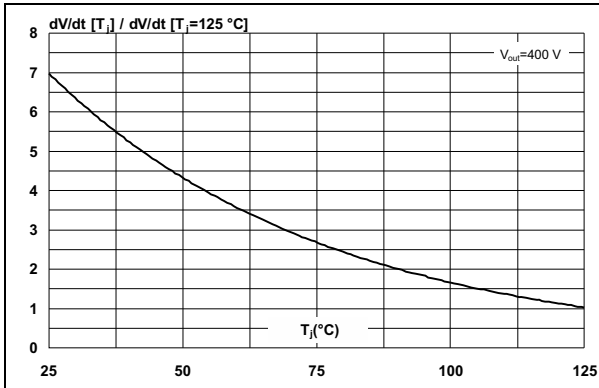


Figure 14. Relative variation of leakage current versus junction temperature (typical values)

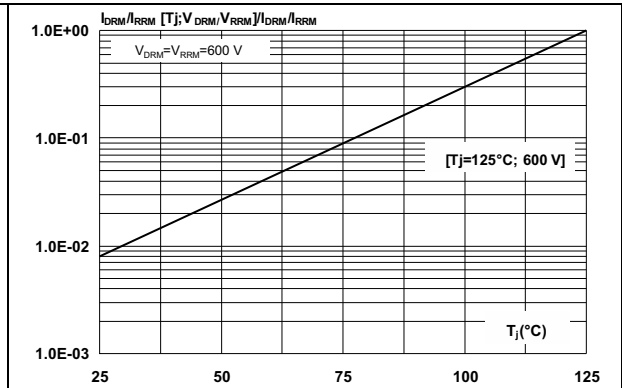
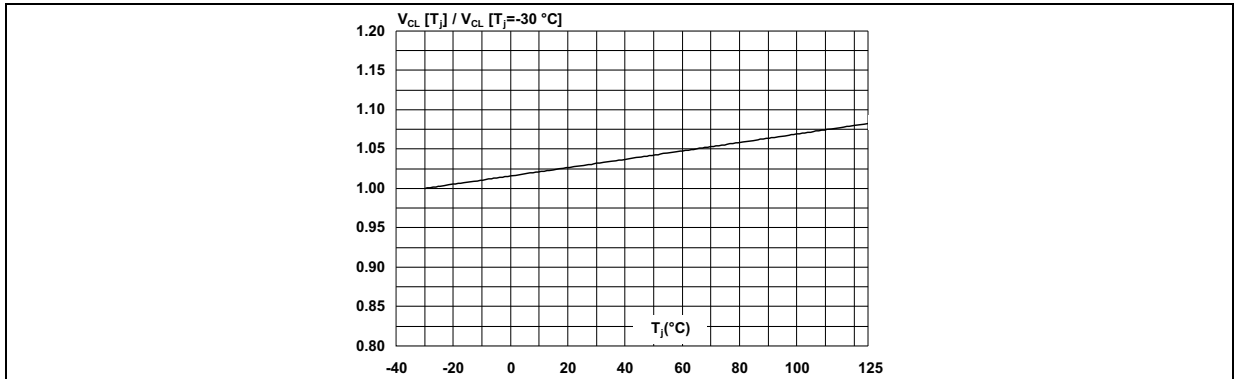


Figure 15. Relative variation of clamping voltage (V_{CL}) versus junction temperature (minimum values)



2 AC line switch basic application

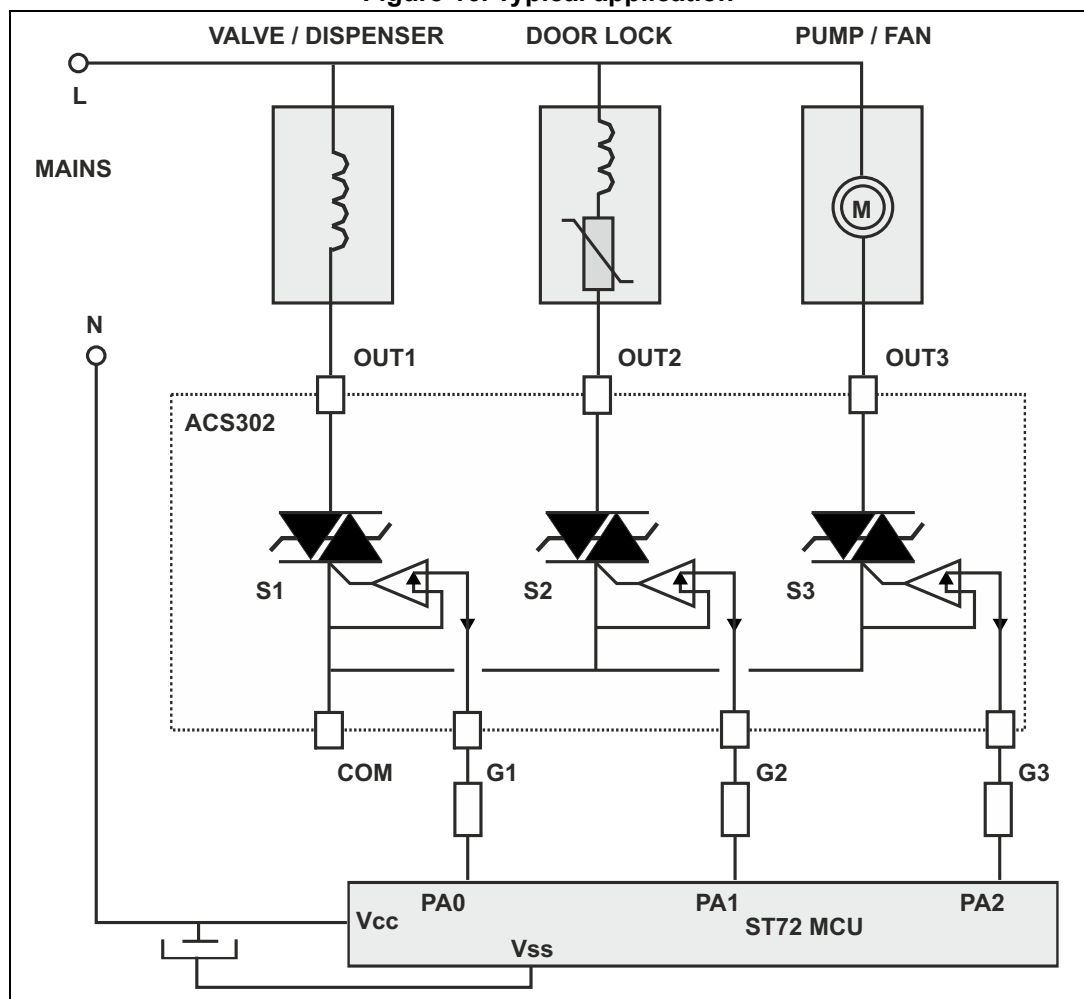
The ACS302 device is well adapted to washing machines, dishwashers, tumble driers, refrigerators, water heaters, and cooking products. It has been designed especially to switch ON and OFF low power loads such as solenoids, valves, relays, micro-motors, pumps, fans, door locks and low power lamps.

- **Pin COM:** Common drive reference, to connect to the power line neutral
- **Pin G:** Switch gate input to connect to the digital controller through a resistor
- **Pin OUT:** Switch output, to connect to the load

Each ACS[®] is triggered with a negative gate current flowing out of the gate pin G. It can be driven directly by the digital controller through a resistor as shown on the typical application diagram. No protection devices are required between the gates and common terminals.

In appliance systems, this ACS drives slow power loads in full cycle ON / OFF mode. Thanks to its thermal and turn off commutation performances, the ACS302 switch is able to drive three loads up to 0.2 A each such as two water valves and a door lock in a dishwasher, without any additional turn-off snubber.

Figure 16. Typical application



2.1 High Inductive switch-off operation

In [Figure 17](#), at the end of the last conduction half-cycle, the load current reaches the holding current level I_H , and the ACS turns off. Because of the inductance L of the load, the current flows through the avalanche diode D and decreases linearly to zero. During this time, the voltage across the switch is limited to the clamping voltage V_{CL} .

The energy stored in the inductance of the load depends on the holding current I_H ([Figure 18](#)) and the inductance (up to 10 H). The energy stored can reach about 20 mJ and is dissipated in the clamping diode section that is especially designed for that purpose.

Figure 17. Turn-off operation of the ACS302 with an electro-valve: waveform of the pin OUT current I_{OUT} and voltage V_{OUT}

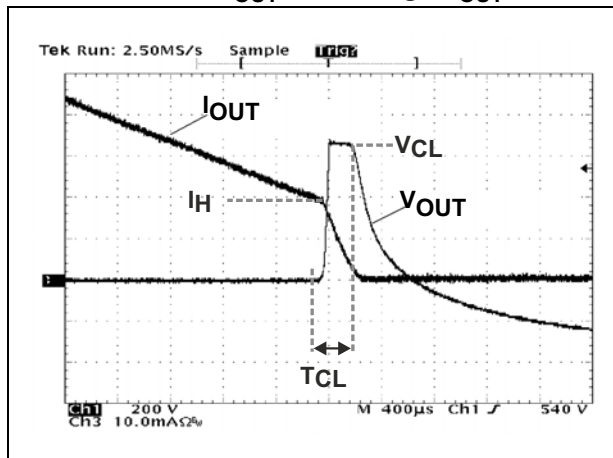
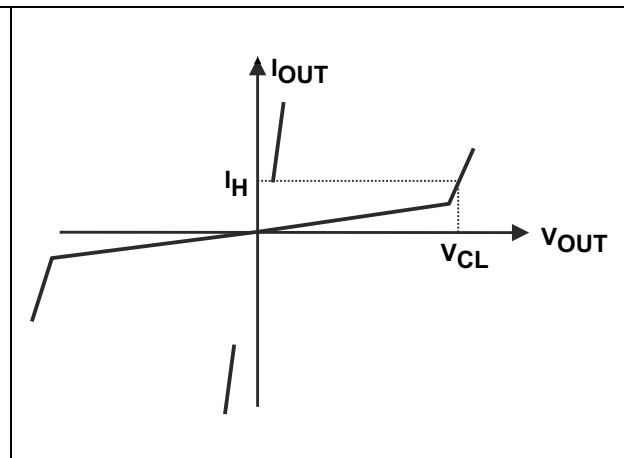


Figure 18. ACS302 switch static characteristic



2.2 AC line transient voltage ruggedness

The ACS302 is able to withstand safely the AC line transient voltages either by clamping the low energy spikes or by breaking over under high energy shocks.

The test circuit shown in [Figure 19](#) is representative of the final ACS application and is also used to stress the ACS according to the IEC 61000-4-5 standard conditions. Thanks to the load, the ACS withstands the voltage spikes up to 2 kV above the peak line voltage. It will break over safely even on resistive load where the turn on current rise is high as shown in [Figure 20](#). Such non repetitive test can be done 10 times on each AC line voltage polarity.

Figure 19. Overvoltage ruggedness test circuit for resistive and inductive loads according to IEC 61000-4-5 standard

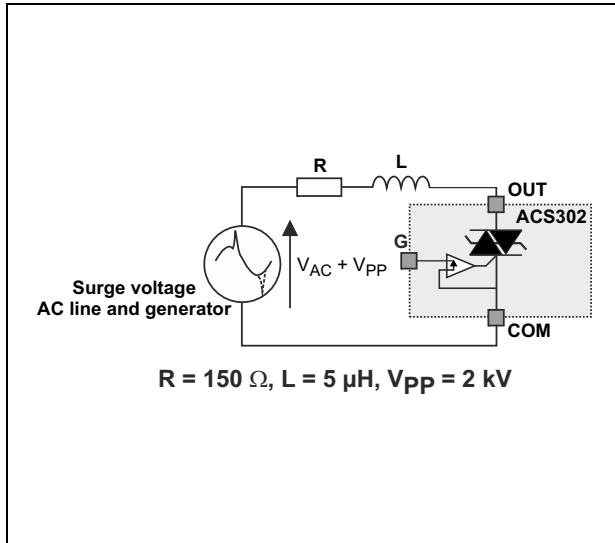
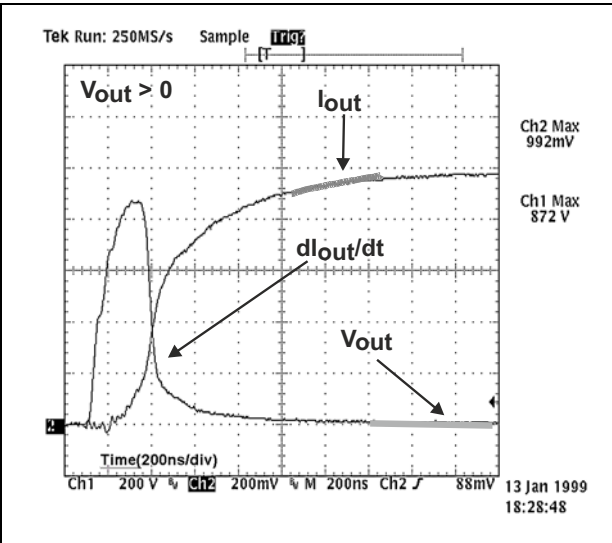


Figure 20. Current and voltage of the ACS during IEC 61000-4-5 standard test with $R = 150 \Omega, L = 5 \mu H, V_{pp} = 2 kV$



3 Package information

- Epoxy meets UL94, V0
- Lead-free package

In order to meet environmental requirements, ST offers these devices in different grades of ECOPACK® packages, depending on their level of environmental compliance. ECOPACK® specifications, grade definitions and product status are available at: www.st.com. ECOPACK® is an ST trademark.

Figure 21. SO-20 dimension definitions

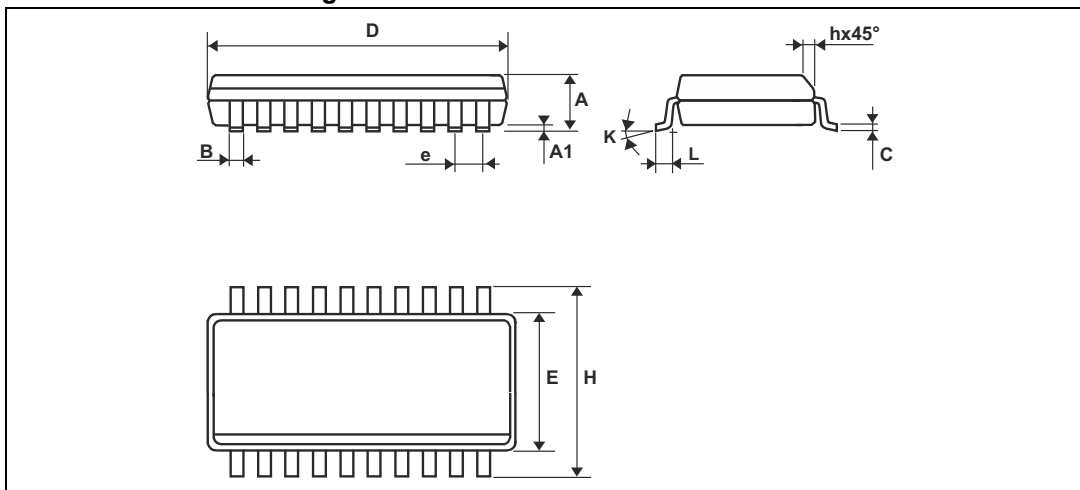
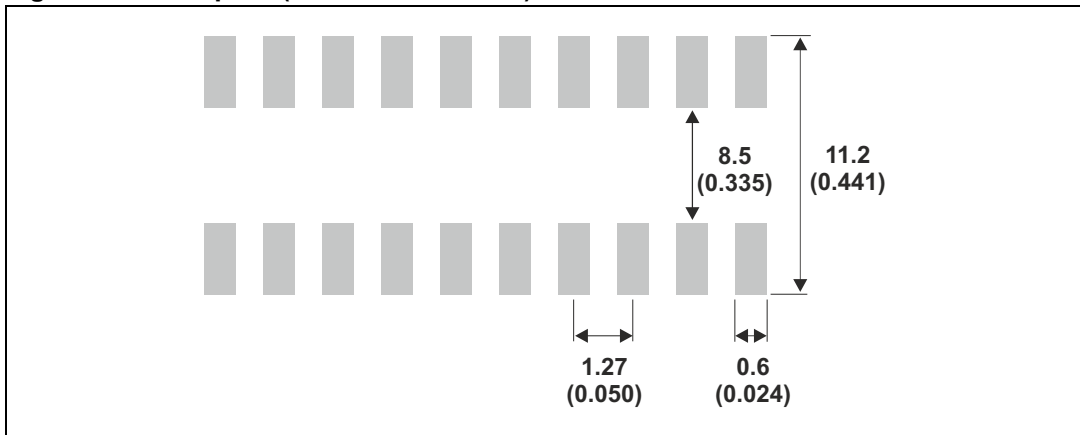


Table 6. SO-20 dimensions

| Ref. | dimensions | | | | | |
|------|-------------|------|-------|--------|-------|-------|
| | Millimeters | | | Inches | | |
| | Min. | Typ. | Max. | Min. | Typ. | Max. |
| A | 2.35 | | 2.65 | 0.092 | | 0.104 |
| A1 | 0.10 | | 0.30 | 0.004 | | 0.008 |
| B | 0.33 | | 0.51 | 0.013 | | 0.020 |
| C | 0.23 | | 0.32 | 0.009 | | 0.013 |
| D | 12.6 | | 13.0 | 0.484 | | 0.512 |
| E | 7.40 | | 7.60 | 0.291 | | 0.299 |
| e | | 1.27 | | | 0.050 | |
| H | 10.0 | | 10.65 | 0.394 | | 0.419 |
| h | 0.25 | | 0.75 | 0.010 | | 0.029 |
| L | 0.40 | | 1.27 | 0.016 | | 0.050 |
| K | 8° (max) | | | | | |

Figure 22. Footprint (dimensions in mm)



4 Ordering Information

Figure 23. Ordering information scheme

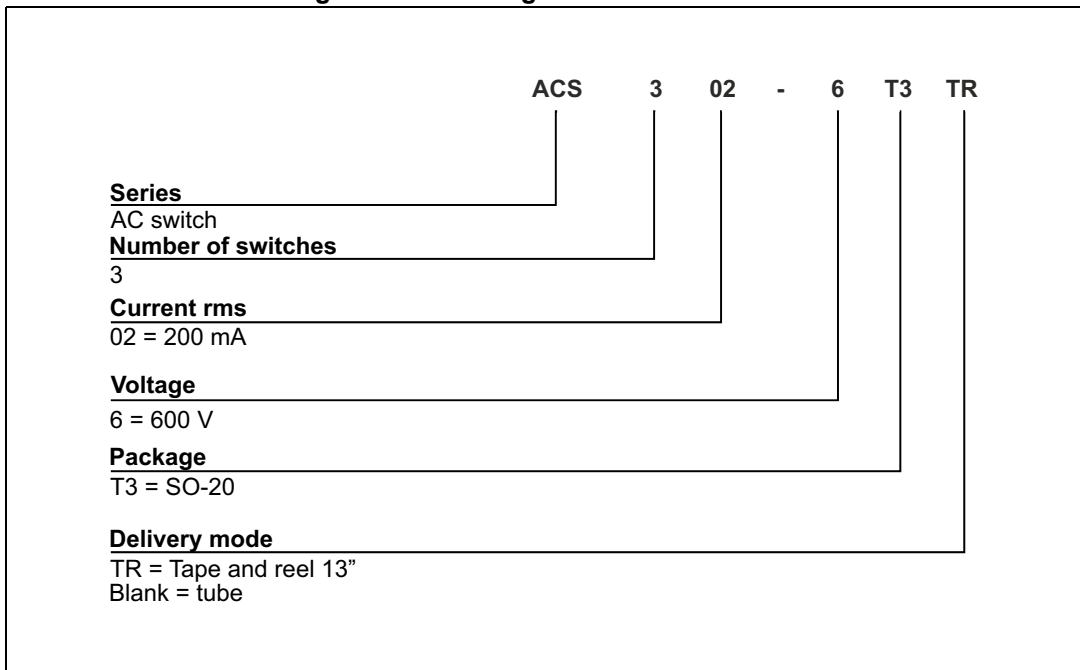


Table 7. Ordering information

| Order code | Marking | Package | Weight | Base Qty | Delivery mode |
|---------------|----------|---------|--------|----------|-------------------|
| ACS302-6T3-TR | ACS302-6 | SO-20 | 0.55g | 1,000 | Tape and Reel 13" |
| ACS302-6T3 | ACS302-6 | SO-20 | 0.55g | 40 | Tube |

5 Revision history

Table 8. Document revision history

| Date | Revision | Changes |
|-------------|----------|----------------|
| 01-Jul-2013 | 1 | First release. |

Please Read Carefully:

Information in this document is provided solely in connection with ST products. STMicroelectronics NV and its subsidiaries ("ST") reserve the right to make changes, corrections, modifications or improvements, to this document, and the products and services described herein at any time, without notice.

All ST products are sold pursuant to ST's terms and conditions of sale.

Purchasers are solely responsible for the choice, selection and use of the ST products and services described herein, and ST assumes no liability whatsoever relating to the choice, selection or use of the ST products and services described herein.

No license, express or implied, by estoppel or otherwise, to any intellectual property rights is granted under this document. If any part of this document refers to any third party products or services it shall not be deemed a license grant by ST for the use of such third party products or services, or any intellectual property contained therein or considered as a warranty covering the use in any manner whatsoever of such third party products or services or any intellectual property contained therein.

UNLESS OTHERWISE SET FORTH IN ST'S TERMS AND CONDITIONS OF SALE ST DISCLAIMS ANY EXPRESS OR IMPLIED WARRANTY WITH RESPECT TO THE USE AND/OR SALE OF ST PRODUCTS INCLUDING WITHOUT LIMITATION IMPLIED WARRANTIES OF MERCHANTABILITY, FITNESS FOR A PARTICULAR PURPOSE (AND THEIR EQUIVALENTS UNDER THE LAWS OF ANY JURISDICTION), OR INFRINGEMENT OF ANY PATENT, COPYRIGHT OR OTHER INTELLECTUAL PROPERTY RIGHT.

ST PRODUCTS ARE NOT AUTHORIZED FOR USE IN WEAPONS. NOR ARE ST PRODUCTS DESIGNED OR AUTHORIZED FOR USE IN: (A) SAFETY CRITICAL APPLICATIONS SUCH AS LIFE SUPPORTING, ACTIVE IMPLANTED DEVICES OR SYSTEMS WITH PRODUCT FUNCTIONAL SAFETY REQUIREMENTS; (B) AERONAUTIC APPLICATIONS; (C) AUTOMOTIVE APPLICATIONS OR ENVIRONMENTS, AND/OR (D) AEROSPACE APPLICATIONS OR ENVIRONMENTS. WHERE ST PRODUCTS ARE NOT DESIGNED FOR SUCH USE, THE PURCHASER SHALL USE PRODUCTS AT PURCHASER'S SOLE RISK, EVEN IF ST HAS BEEN INFORMED IN WRITING OF SUCH USAGE, UNLESS A PRODUCT IS EXPRESSLY DESIGNATED BY ST AS BEING INTENDED FOR "AUTOMOTIVE, AUTOMOTIVE SAFETY OR MEDICAL" INDUSTRY DOMAINS ACCORDING TO ST PRODUCT DESIGN SPECIFICATIONS. PRODUCTS FORMALLY ESCC, QML OR JAN QUALIFIED ARE DEEMED SUITABLE FOR USE IN AEROSPACE BY THE CORRESPONDING GOVERNMENTAL AGENCY.

Resale of ST products with provisions different from the statements and/or technical features set forth in this document shall immediately void any warranty granted by ST for the ST product or service described herein and shall not create or extend in any manner whatsoever, any liability of ST.

ST and the ST logo are trademarks or registered trademarks of ST in various countries.

Information in this document supersedes and replaces all information previously supplied.

The ST logo is a registered trademark of STMicroelectronics. All other names are the property of their respective owners.

© 2013 STMicroelectronics - All rights reserved

STMicroelectronics group of companies

Australia - Belgium - Brazil - Canada - China - Czech Republic - Finland - France - Germany - Hong Kong - India - Israel - Italy - Japan - Malaysia - Malta - Morocco - Philippines - Singapore - Spain - Sweden - Switzerland - United Kingdom - United States of America

www.st.com