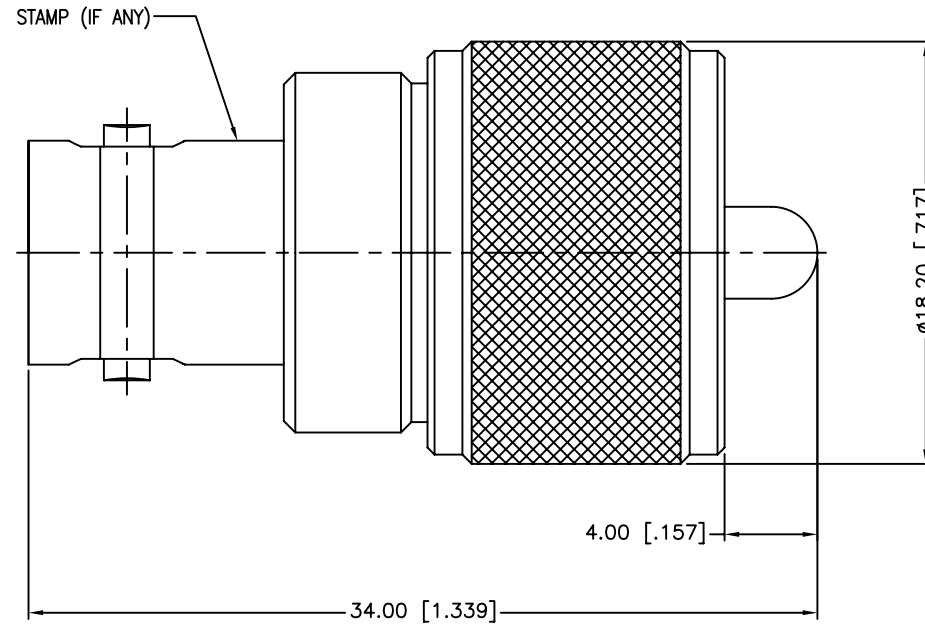


REV.	DATE	ECR NO.	DESCRIPTION
A	01/22/04	XXXXXX	UPDATE DRAWING FORMAT
B	05/20/11	2177	CHANGE THE PLATING OF BODY TO NICKEL



				UNLESS OTHERWISE SPECIFIED DIMENSIONS ARE IN MILLIMETERS. DIMENSIONS IN [ ] ARE IN INCHES AND FOR CUSTOMER REFERENCE ONLY.	APPROVALS	DATE	<b>Amphenol Connex</b>			
4	CONTACT PIN (UHF)	BRASS	GOLD	1	DRAWN	M.ZHANG				05/20/11
3	CONTACT PIN (BNC)	PHOSPHOR BRONZE	GOLD	1	CHECKED			PART NO. <b>242164</b>		
2	INSULATOR	PTFE	NATURAL	1	ISSUED					
1	BODY	BRASS	NICKEL	1	SHEET	1 OF 1		REV. B	SIZE A	SCALE NA
	DESCRIPTION	MATERIAL	FINISH	QTY	UNLESS OTHERWISE SPECIFIED TOLERANCES FOR MILLIMETERS ARE: 0.5 - 8mm ± 0.20mm 8 - 30mm ± 0.40mm 30 - 120mm ± 0.50mm UNLESS OTHERWISE SPECIFIED TOLERANCES FOR INCHES ARE: .020 - .315 = ± 0.007" .315 - 1.180 = ± 0.015" 1.180 - 4.724 = ± 0.020"	CAD FILE	C:/CONNEX/242164.DWG			
					DO NOT SCALE DRAWING					