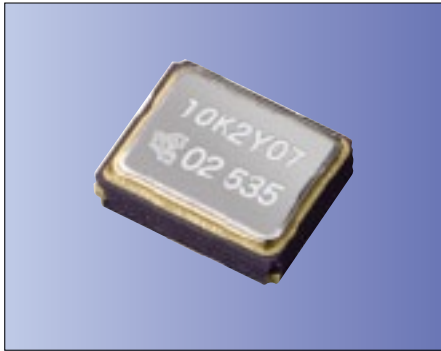


# Temperature Compensated Crystal Oscillators (TCXO) Surface Mount Type TCXO (LSI Type) KT2520 Series for GPS



2.5×2.0mm



RoHS Compliant

## Features

- Miniature SMD type (2.5×2.0×0.8mm)
- Freq. temp. characteristics:  $\pm 0.5 \times 10^{-6} / -30$  to  $+85^\circ\text{C}$
- 1.68 to 3.6V drive available
- Reflow compatible
- Temperature sensor output (Option)
- Disable Function (Option)
- Lower Operating Temp.  $-40^\circ\text{C}$  (Option)

## Applications

- GPS Units

## How to Order

KT2520F 26000 A C W 18 T xx  
① ② ③ ④ ⑤ ⑥ ⑦ ⑧

① Series	⑥ Supply Voltage
② Output Frequency	⑦ Voltage Control Range
③ Freq. Temp. Chrst.	⑧ Option Code
A $\pm 0.5 \times 10^{-6}$	18 1.8V 28 2.8V
C $-30^\circ\text{C}$	T TCXO
E $-20^\circ\text{C}$	
G $-10^\circ\text{C}$	
⑤ Upper Operating Temp.	
W $+85^\circ\text{C}$	
V $+80^\circ\text{C}$	
U $+75^\circ\text{C}$	

Packaging (Tape & Reel 3000 pcs./ reel)

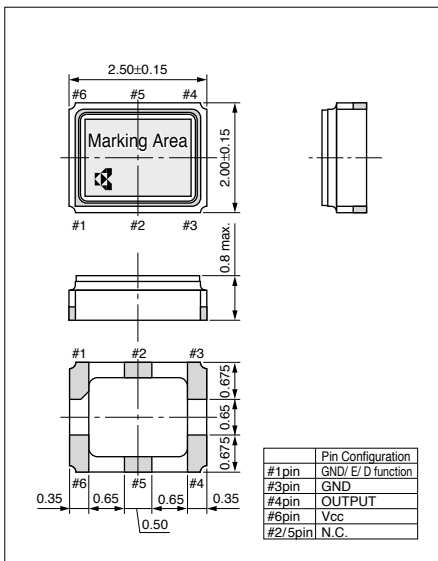
## Specifications

Item	Symbol	Conditions	Min.	Max.	Units
Output Frequency Range	$f_o$	Standard Frequency: 16.368, 16.369, 19.2, 23.104, 26, 27.456, 33.6, 38.4, 52	13	52	MHz
Frequency Tolerance	$f_{tol}$	vs Temperature	-0.5	+0.5	$\times 10^{-6}$
		vs Load	-0.1	+0.1	
		vs Voltage	-0.2	+0.2	
Frequency Aging	$f_{age}$	Per Year	-1	+1	$\times 10^{-6}$
Storage Temperature Range	$T_{stg}$		-40	+85	$^\circ\text{C}$
Operating Temperature Range	$T_{use}$		-30	+85	$^\circ\text{C}$
Supply Voltage	$V_{cc}$		1.68	3.6	V
Output Level	$V_{pp}$	Clipped Sine*, Load: 10k ohm // 10pF	0.8	—	Vp-p
Current Consumption	$I_{cc}$		—	2	mA
Harmonics	—		—	-5	dBc

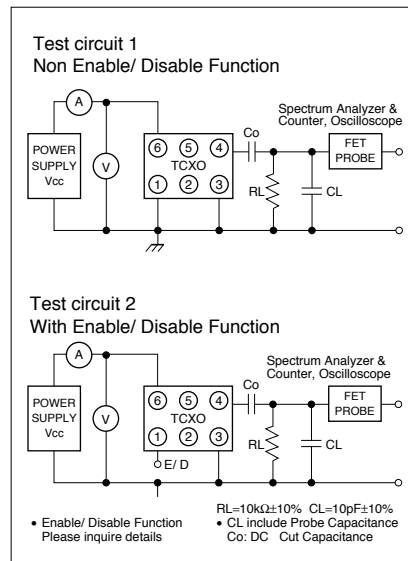
\* : A DC-cut capacitor is not embedded in this crystal oscillator. Connect a DC-cut capacitor ( $\geq 1\text{nF}$ ) to the line-out terminal of the oscillator.

## Dimensions

(Unit: mm)

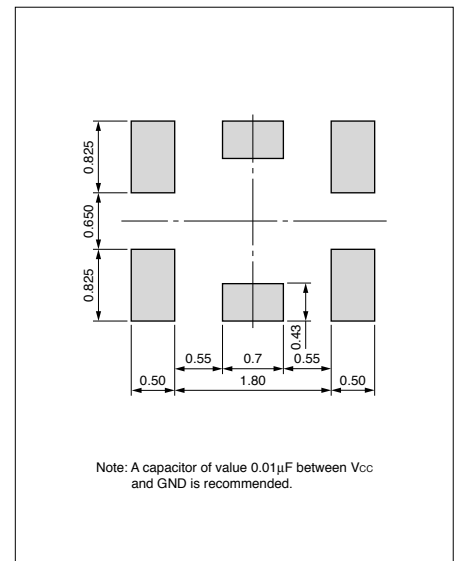


## Test Circuit



## Recommended Land Pattern

(Unit: mm)



# Mouser Electronics

Authorized Distributor

Click to View Pricing, Inventory, Delivery & Lifecycle Information:

[AVX:](#)

[KT2520Y40000ECV28TBA](#) [KT2520Y16369ACW28TMA](#) [KT2520F16369ACW18TAG](#) [KT2520F26000ZAW18TKK](#)  
[KT2520F16369ACW18TAN](#) [KT2520F26000ACW18TAN](#) [KT2520F40000ECV28TAK](#) [KT2520F19200ACV29RAK](#)  
[KT2520F38400ZAW18TEK](#)