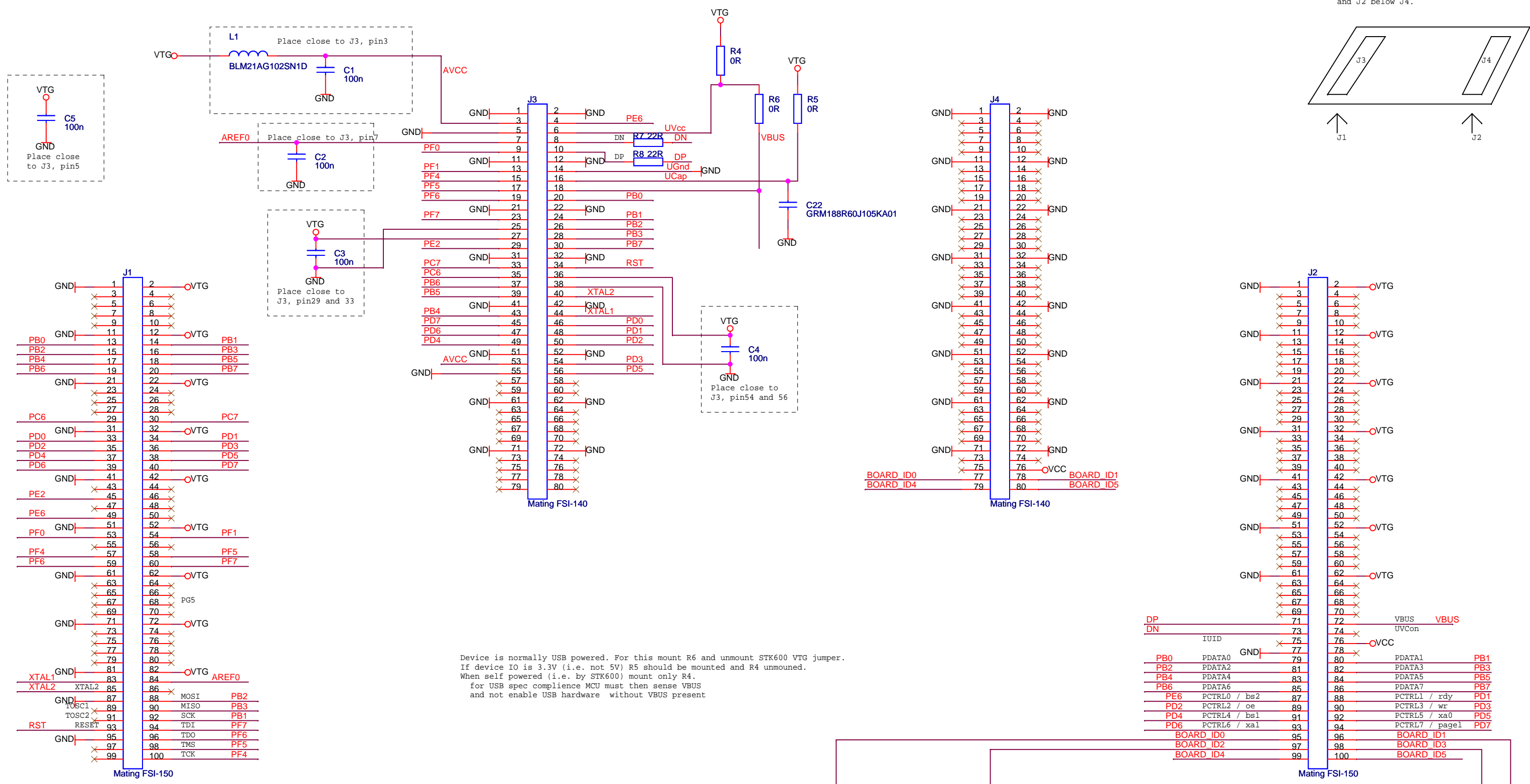


# STK600-RC044U-25 (for AT90USB-44 pin)

J3 and J4 mates up to the socket card, while J1 and J2 goes down to the mother board. J1 is physical placed below J3, and J2 below J4.



Device is normally USB powered. For this mount R6 and unmount STK600 VTG jumper.  
 If device IO is 3.3V (i.e. not 5V) R5 should be mounted and R4 unmounted.  
 When self powered (i.e. by STK600) mount only R4.  
 for USB spec compliance MCU must then sense VBUS  
 and not enable USB hardware without VBUS present

