



POWER[™]STRIP/40



PESS-08-12-L-06.00-SR

PESS-04-10-L-06.00-SR

PESS SERIES

(6.35 mm) .250"

POWERSTRIP[™]/40 CABLE ASSEMBLY

SPECIFICATIONS

For complete specifications see www.samtec.com?PESS

Insulator Material: Nylon Black

Contact Material: Copper Alloy

Plating: Sn or Au over

50 μ" (1.27 μm) Ni

Latch: Nylon Black

Operating Temp Range: -30 °C to +105 °C

Voltage Rating: 600 VAC

846 VDC

Wire: 10 or 12 AWG

RoHS Compliant: Yes

Mates with:
PET

PESS/PET	
WIRE GAUGE	CURRENT RATING (PER PIN)
10 AWG	34.5 A
12 AWG	29.7 A
1 PIN POWERED	

Dual leaf blade contacts

10 or 12 AWG discrete wire cable

RUGGEDIZED
BY SAMTEC

• Positive latching

(6.35 mm) .250" pitch

Positive latching system

RECOGNITIONS

For complete scope of recognitions see www.samtec.com/quality

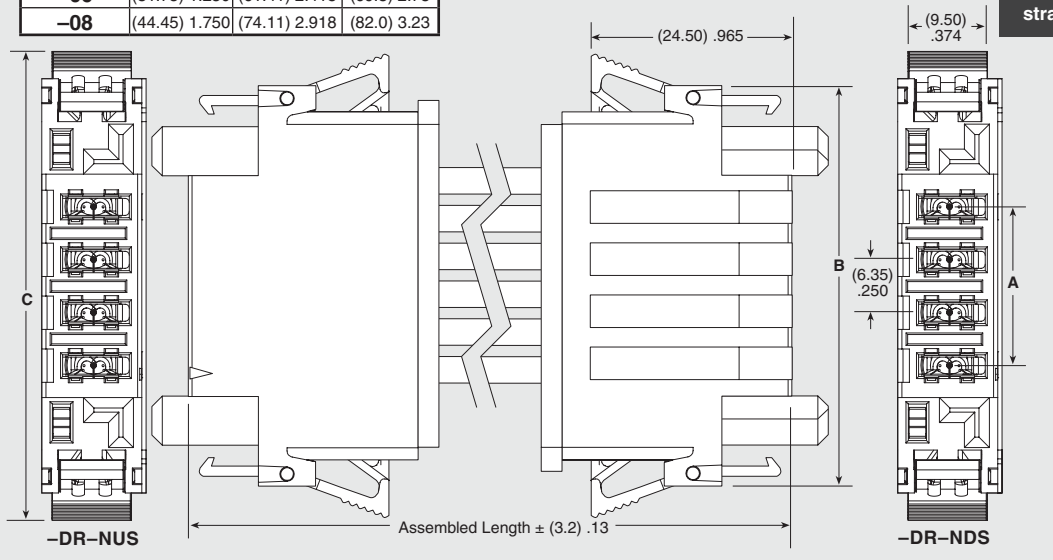


COMPONENTS

- For body, see www.samtec.com?IPS6
- For contacts, see www.samtec.com?CC10L or www.samtec.com?CC10R

PESS	NO. OF POSITIONS	WIRE GAUGE	PLATING OPTION	ASSEMBLED LENGTH	END 1 OPTION	END 2 OPTION
-02, -04, -06, -08	-10 -12	-L = 10 μ" (0.25 μm) Gold on contact, Matte Tin on tail -T = Matte Tin	-"XX.XX" = Wire Length in inches (152.4 mm) 06.00" min.	-SR = Single End -DR = Double End	(Available with -DR only) -NUS = Notch up, straight -NDS = Notch down, straight	

NO. OF POSITIONS	A	B	C
-02	(6.35) .250	(36.01) 1.418	(43.9) 1.73
-04	(19.05) .750	(48.71) 1.918	(56.6) 2.23
-06	(31.75) 1.250	(61.41) 2.418	(69.3) 2.73
-08	(44.45) 1.750	(74.11) 2.918	(82.0) 3.23



ALSO AVAILABLE
(MOQ Required)

- Other platings

Note: Some sizes, styles and options are non-standard, non-returnable.

Due to technical progress, all designs, specifications and components are subject to change without notice.

WWW.SAMTEC.COM

All parts within this catalog are built to Samtec's specifications. Customer specific requirements must be approved by Samtec and identified in a Samtec customer-specific drawing to apply.