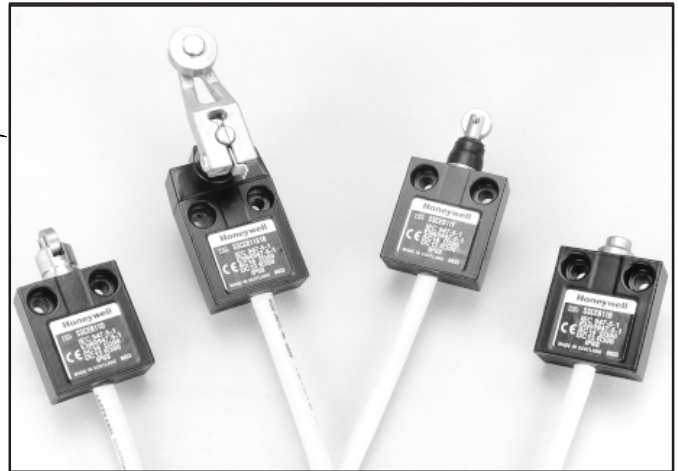


## Super sealed CE Miniature limit switch



### Features

- Fully sealed - capable of working when submerged
- Compact construction
- Pre-wired or connector versions
- Die-cast zinc housing
- Wide selection of actuators
- Gang mounting capability
- Variable length PUR cable
- Side and bottom exit cable/connector
- Simple two-screw mounting
- IP66/67, IP68 sealing

### Benefits

- Suitable for difficult operating environments
- Suitable for applications where space is at a premium
- Fast and easy to install
- Application flexibility
- Multiple switching in small spaces
- Enhanced choice for application
- Suitable for aggressive environments

### Description

The Super sealed CE Series Miniature limit switch has been designed for reliability in the harshest of environments. Its robust design, corrosion limiting features, flexible PUR cable and super sealing allows it to operate fully submerged in a range of fluids. Its small size allows operation in confined spaces. A range of different actuators offers flexibility in application.

### Low energy switching

In today's demanding age of low energy controls, electromechanical switches are frequently used in interface directly with PLCs and other low energy devices. To accommodate this requirement Super sealed CE offers a gold plated contact version of the standard basic switch. This improves reliability of switching at low currents and voltages by protecting the contact surfaces from contamination during operation or storage prior to use. Standard silver contacts have the disadvantage in that the contact may tarnish under certain environmental conditions, e.g. in the presence of moisture.

Low energy basic switches are rated as follows:

Operating Voltage  $U_e$  1 to 50 Vac or Vdc

Operating Current  $I_e$  1 to 100 mA

### Electrical rating

		IEC947-5-1 / EN60947-5-1							
Designation & Utilization Category		Rated operational current $I_e$ (A) at rated operational voltage $U_e$						VA rating	
		120V	240V	380V	480V	500V	600V	Make	Break
AC15	A600	6	3	1.9	1.5	1.4	1.2	7200	720
AC15	A300	6	3	-	-	-	-	7200	720
AC15	B300	3	1.5	-	-	-	-	3800	360
AC14	D300	0.6	0.3	-	-	-	-	432	72
		125V 250V							
DC13	Q300	0.55	0.27					69	69
DC13	R300	0.22	0.1					28	28

### WARNING

#### MISUSE OF DOCUMENTATION

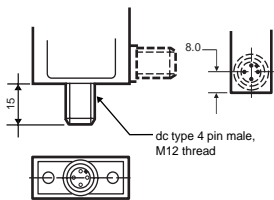
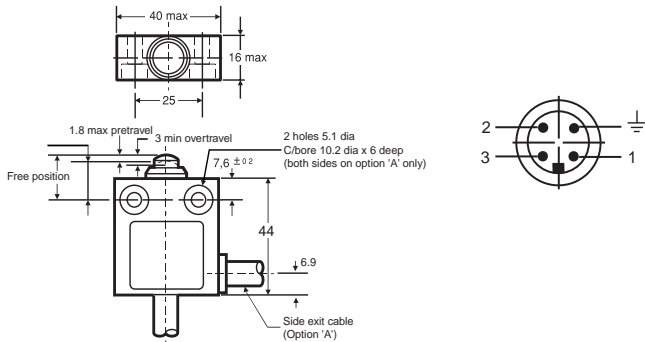
- The information presented in this product sheet (or catalogue) is for reference only. DO NOT USE this document as product installation information.
- Complete installation, operation and maintenance information is provided in the instructions supplied with each product.

**Failure to comply with these instructions could result in death or serious injury.**

# Super sealed CE Series Miniature enclosed switch

## Technical Data

Mechanical life	up to 10 million operations
Degree of protection	IP66/67, IP68
Temperature range	Operating: -40 °C to +90 °C (-40 °F to +194 °F)
Approvals/standards	IEC 60947-5-1 EN 60947-5-1 AC14 D300 DC13 R300
Electrical	Not suitable for isolation. SCPD, Quick blow fuse to IEC 127 suitable for rated current.
Shock	50 g conforming to IEC 68-2-27
Vibration	10 g conforming to IEC 68-2-6



- Side exit PUR cable = **A**
- Bottom exit PUR cable = **B**
- Side exit connector = **C**
- Bottom exit connector = **D**

## Ordering Guide:

<b>SSCE</b>	<b>X</b>	<b>X</b>	<b>X</b>
-------------	----------	----------	----------

Cable/connector		Switch type	Snap action contacts
			<p>S.P.D.T GREEN/YELLOW BROWN 2 BLUE 1 3 BLACK Circuit closed</p>
Connector	<b>0</b>		<p>O.F. (max) = 7.85 Newtons/800 GMF R.F. (min) = 1.0 Newtons/100 GMF</p>
If cable option is required, specify cable length in 1 metre increments, e.g.			
1 m	<b>1</b>		<p>O.F. (max) = 11.8 Newtons/1200 GMF R.F. (min) = 4.4 Newtons/450 GMF</p>
2 m	<b>2</b>		<p>O.F. (max) = 11.8 Newtons/1200 GMF R.F. (min) = 4.4 Newtons/450 GMF</p>
3 m	<b>3</b>		<p>O.F. (max) = 22.5 Newtons/2300 GMF O.P. (min) = 4.4 Newtons/450 GMF</p>
Note: 4 m to 9 m cable lengths available by special request only.			<p>O.F. (max) = 17.5 Newtons/1800 GMF R.F. (min) = 4.4 Newtons/450 GMF</p>

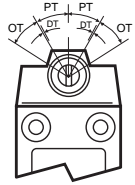
▲ Low energy contacts  
See page 1

1

7▲

**Actuator type**

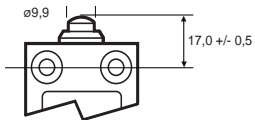
**Options (for actuator type 'A' only)**



**Top Rotary action/lever**

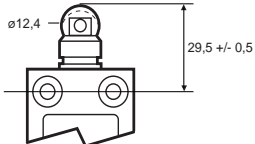
**A**

See 'Options' for additional levers



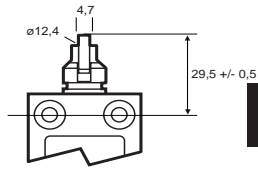
**Top Pin Plunger**

**B**



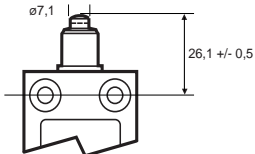
**Top Roller Plunger, Parallel**

**C**



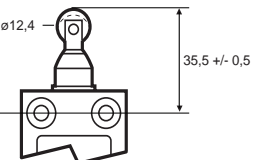
**Top Roller Plunger, Perpendicular**

**D**



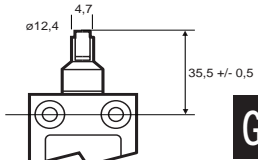
**Top Pin Plunger, Boot Sealed**

**E**



**Top Roller Plunger, Parallel, Boot Sealed**

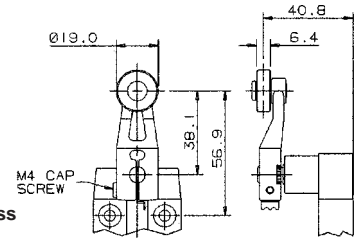
**F**



**Top Roller Plunger, Perpendicular, Boot Sealed**

**G**

**Fixed length lever plastic roller**

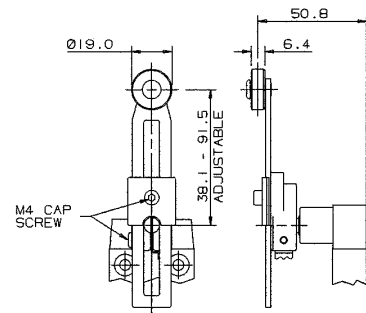


**1A**

**Fixed length lever stainless steel roller**

**1B**

**Adjustable length lever plastic roller**

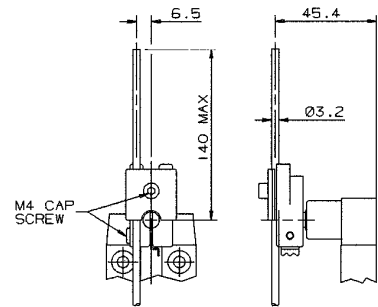


**2A**

**Adjustable length lever stainless steel roller**

**2B**

**Adjustable rod lever**



**4J**

**No lever (leave blank)**

**--**

**X**

**XX**

## Warranty/Remedy

Honeywell warrants goods of its manufacture as being free of defective material and faulty workmanship. Contact your local sales office for warranty information. If warranted goods are returned to Honeywell during that period of coverage, Honeywell will repair or replace without charge those items it finds defective. The foregoing is Buyer's sole remedy and is in lieu of all other warranties, expressed or implied, including those of merchantability and fitness for a particular purpose.

While we provide application assistance, personally, through our literature and the Honeywell web site, it is up to the customer to determine the suitability of the product in the application.

Specifications may change at any time without notice. The information we supply is believed to be accurate and reliable as of this printing. However, we assume no responsibility for its use.

## Sales and Service

Honeywell serves its customers through a worldwide network of sales offices and distributors. For application assistance, current specifications, pricing or name of the nearest Authorised Distributor, contact your local sales office or:

INTERNET: [www.honeywell.com/sensing](http://www.honeywell.com/sensing)

E-mail: [info@micro.honeywell.com](mailto:info@micro.honeywell.com)

### ASIA PACIFIC

#### Australia

Honeywell Pacific Inc.  
Phone: +(61) 2-9353-7400  
FAX: +(61) 2-9353-7406  
Toll Free 1300-36-39-36  
Toll Free Fax 1300-36-04-70

#### China - PRC - Beijing

Honeywell (Tianjin) Ltd.  
Phone: +(86-10) 6561-0208  
FAX: +(86-10) 6561-0618

#### China - Hong Kong SAR

Honeywell Ltd.  
Phone: +(852) 2331 9133  
FAX: +(852) 2953-6767

#### India

Tata Honeywell Ltd  
Phone: +(91) 20 612 243  
FAX: +(91) 20 675 992

#### Indonesia

PT Honeywell Ltd.  
Phone: +(62) 21 521-3330  
FAX: +(62) 21 521-3735

#### Japan

Yamatake Corporation  
Phone: +(81) 466-20-2187  
FAX: +(81) 466-20-2309

#### South Korea

LG - Honeywell Co. Ltd  
Phone: +(822) 799-6011  
FAX: +(822) 792-9013

#### Malaysia

Honeywell Engineering Sdn Bhd  
Phone: +(603) 758-4988  
FAX: +(603) 758-8922

#### New Zealand

Honeywell Pty Limited  
Phone: +(64-9) 623-5050  
FAX: +(64-9) 623-5060  
Toll Free (0800) 202-088

#### Pakistan

Honeywell Pvt Limited  
Phone: +(92-21) 455-5173  
FAX: +(92-21) 455-5194  
Toll Free (0800) 202-088

#### Philippines

Honeywell Systems (Philippines) Inc.  
Phone: +(632) 636-1649  
FAX: +(632) 636-1650

#### Singapore/SE Asia Regional Office

Honeywell Southeast Asia Pte. Ltd.  
Phone: +(65) 355-2828  
FAX: +(65) 445-3033

#### Taiwan R.O.C.

Honeywell Taiwan Ltd.  
Phone: +(886) 22245-1000  
FAX: +(886) 22245-3243

#### Thailand

Honeywell Systems Ltd.  
Phone: +(662) 693 3099  
FAX: +(662) 693 3085

#### Honeywell Asia Pacific Inc.

Phone: +(65) 354 6768  
FAX: +(65) 354-6775

### NORTH AMERICA

#### Canada

Honeywell LTD  
Phone: 1-800-737-3360  
FAX: 1-800-565-4130

#### USA

MICRO SWITCH Sensing and Control,  
International Headquarters  
Phone: 1-800-537-6945  
1-815-235-6847  
FAX: 1-815-235-6545

### EUROPE

#### Austria

Honeywell Austria GmbH  
Phone: +(43) 1 727 80 366/246  
FAX: +(43) 1 727 80 337

#### Belgium

Honeywell SA/NV  
Phone: +(32) 2 728 2522  
FAX: +(32) 2 728 2502

#### Bulgaria

Honeywell EOOD  
Phone: +(359) 2 79 40 27  
FAX: +(359) 2 79 40 90

#### Czech Republic

Honeywell spol. s.r.o.  
Phone: +(420) 2 6112 3469/ 3424  
FAX: +(420) 2 6112 3461

#### Denmark

Honeywell A/S  
Phone: +(45) 39 55 55 55  
FAX: +(45) 39 55 55 58

#### Finland

Honeywell OY  
Phone: +(358) 9 3480101  
FAX: +(358) 9 34801375

#### France

Honeywell SA  
Phone: +(33) 1 60 19 82 68  
FAX: +(33) 1 60 19 81 73

#### Germany

Honeywell AG  
Phone: +(49) 69 8064 444  
FAX: +(49) 69 8064 442

#### Hungary

Honeywell Kft.  
Phone: +(36 1) 451 4300  
FAX: +(36 1) 451 4343

#### Italy

Honeywell S.p.A.  
Phone: +(39) 02 92146 450/456  
FAX: +(39) 02 92146 490

#### The Netherlands

Honeywell B.V.  
Phone: +(31) 20 565 69 11  
FAX: +(31) 20 565 66 00

#### Norway

Honeywell A/S  
Phone: +(47) 66 76 20 00  
FAX: +(47) 66 76 20 90

#### Poland

Honeywell Sp. zo.o  
Phone: +(48) 22 606 0900  
FAX: +(48) 22 606 0901

#### Portugal

Honeywell Portugal Lda  
Phone: +(351 21) 424 50 00  
FAX: +(351 21) 424 50 99

#### Romania

Honeywell Bucharest  
Phone: +(40) 1 2110076  
FAX: +(40) 1 2103375

#### Commonwealth of Independent States (CIS)

Z.A.O. Honeywell  
Phone: +(7 095) 796 98 00  
FAX: +(7 095) 796 98 93

#### Slovak Republic

Honeywell s.r.o.  
Phone: +(421 7) 58247 403/400  
FAX: +(421 7) 58247 415

#### South Africa (Republic of)

Honeywell Southern Africa  
Honeywell S.A. Pty. Ltd  
Phone: +(27) 11 805 1211  
FAX: +(27) 11 805 1354

#### Spain

Honeywell S.A.  
Phone: +(34) 91 313 6100  
FAX: +(34) 91 313 6129

#### Sweden

Honeywell AB  
Phone: +(46) 8 775 55 00  
FAX: +(46) 8 775 56 00

#### Switzerland

Honeywell AG  
Phone: +(41) 1 839 25 25  
FAX: +(41) 1 831 03 14

#### Turkey

Honeywell Turkey A.S.  
Phone: +(90) 216 464 4764  
FAX: +(90) 216 464 4794

#### United Kingdom

Honeywell Control Systems Ltd  
Phone: +(44) 1344 656000  
FAX: +(44) 1344 656015

#### Mediterranean & African Distributors

Honeywell SpA  
Phone: +(39) 2 921 46 232  
FAX: +(39) 2 921 46 233

#### Middle East Headquarters

Honeywell Middle East Ltd.  
Phone: +(9712) 272533  
FAX: +(9712) 269539

### LATIN AMERICA

#### Argentina

Honeywell S.A.I.C.  
Phone: +(54-11) 4383-9282  
FAX: +(54-11) 4325-6470

#### Brazil

Honeywell do Brasil & Cia  
Phone: +(55-11) 865-2055  
FAX: +(55-11) 865-3894

#### Chile

Honeywell Chile, S.A.  
Phone: +(56-2) 233-0688  
FAX: +(56-2) 231-6679

#### Columbia

Honeywell Columbia, S.A.  
Phone: +(57-1) 623-3239/3051  
FAX: +(57-1) 623-3395

#### Ecuador

Honeywell S.A.  
Phone: +(593-2) 981-560/1  
FAX: +(593-2) 981-562

#### Mexico

Honeywell S.A. de C.V.  
Phone: +(52-5) 259-1966  
FAX: +(52-5) 570-2985

#### Puerto Rico

Honeywell Inc.  
Phone: +(809)792-7075  
FAX: +(809) 792-0053

#### Venezuela

Honeywell CA  
Phone: +(58-2) 238-0211  
FAX: +(58-2) 238-3391

This publication does not constitute a contract between Honeywell and its customers. The contents may be changed at any time without notice. It is the customer's responsibility to ensure safe installation and operation of the products. Detailed mounting drawings of all products illustrated are available on request. © Honeywell 1999

# Honeywell

**Honeywell Control Systems Ltd**  
Newhouse Industrial Estate  
Motherwell ML1 5SB  
Scotland, UK

[www.honeywell.com/sensing](http://www.honeywell.com/sensing)