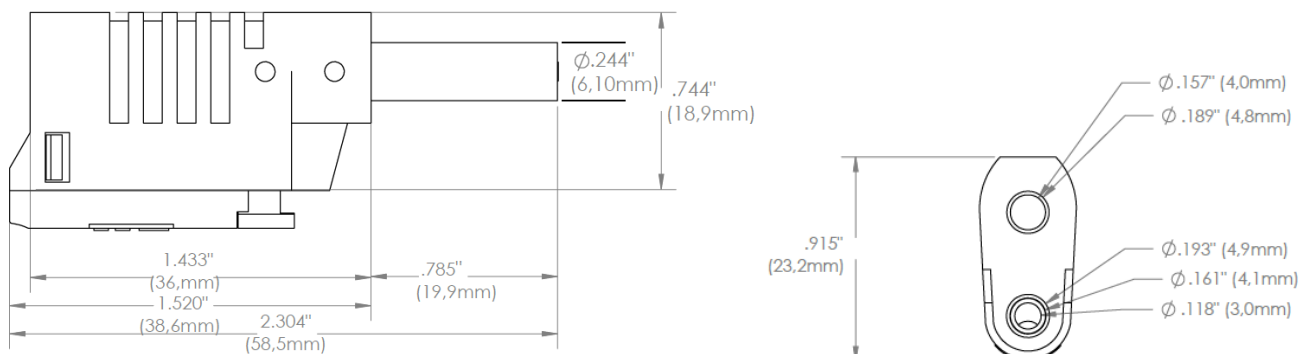


Model 73093

DIY Retractable Sheath 4mm Banana Plug, Stackable, Quick Wire Attachment



Features

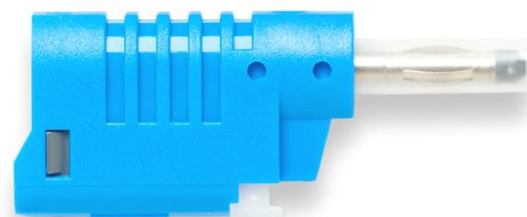
- Attach wires quickly with the push-button tab for easy assembly or test lead repair
- No soldering or set screws required; simply, push and hold the push tab, insert the stripped test lead wire (*strip 4-6mm of insulation*), and release the push tab to secure the wire down
- Great in low voltage applications where prototyping and quick wire attachments are important
- Stackable for chaining additional connections and test versatility
- Retractable sheath allows for interfacing either sheathed or unsheathed 4mm banana jacks
- Make 4mm banana plug patch cords conveniently in the field
- Designed to fit on the end of any 22 AWG to 18 AWG wire gauge

Materials

Contact: Nickel-plated brass and steel
 Insulation: Polyamide, Polypropylene, and Polyoxymethylene

Specifications

Voltage	33 V AC / 70 V DC
Max Current	36 A
Max Resistance	less than 10 mΩ



Ordering Information

Model: 73093-*color*

Color: 0=Black, 2=Red, 4=Yellow, 5=Green, 6=Blue, 9=White

DIY Retractable Sheath 4mm Banana Plug, Stackable, Quick Wire Attachment

USA: Sales: 800-490-2361
 Technical Support: technicalsupport@pomonatest.com
 Fax: 425-446-5844

Europe: 31-(0) 40 2675 150 **International:** 425-446-5500

Where to Buy: www.pomonaelectronics.com

All dimensions are in inches. Tolerances (except noted): .xx = ±.02" (.51 mm), .xxx = ±.005" (.127 mm). All specifications are to the latest revisions. Specifications are subject to change without notice. Registered trademarks are the property of their respective companies.