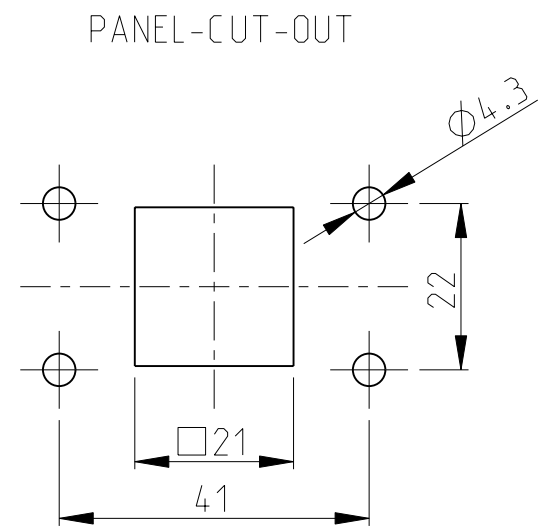
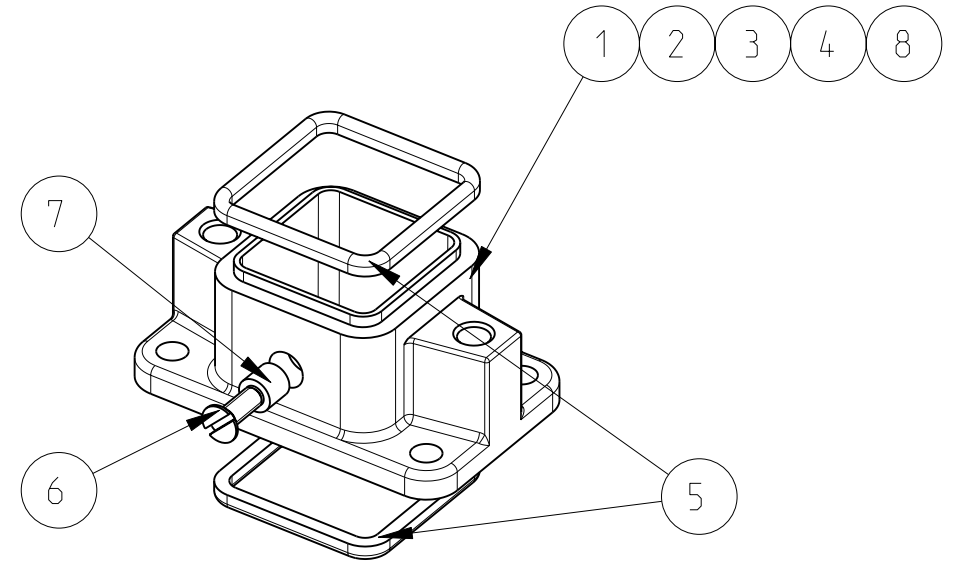
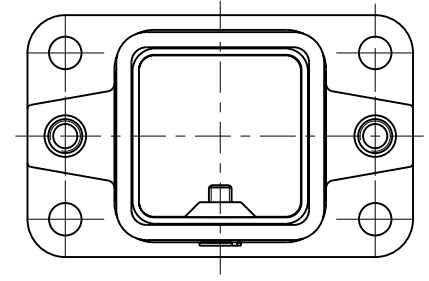
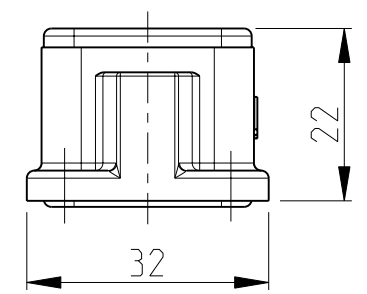
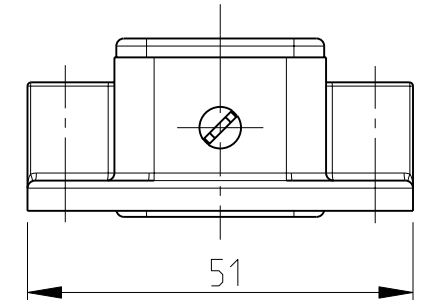


THIS DRAWING IS UNPUBLISHED. RELEASED FOR PUBLICATION 2009  
 © COPYRIGHT 2009 BY TYCO ELECTRONICS CORPORATION. ALL RIGHTS RESERVED.

LOC	DIST	REVISIONS				
P	LTR	DESCRIPTION	DATE	DWN	APVD	
A9		ECR-09-023155	22OCT2009	VG	AR	
A10		ECR-10-009777	21MAY2010	SR	AR	
A11		ECR-10-017493	31JAN2011	SR	AR	



Notes

- 1 SUITABLE HOUSINGS: SERIES EMV, SIZE 1  
CUSTOMER DRAWING 1106402, 1102700, 1106200
- 2 STANDARDS: DIN EN 61984, DIN EN 60664-1
- 3 SUR TEC 650 CHROMIT AL TCP PASSIVATION
- 4 PN 0-3 WITHOUT PROFILE SEAL ON CONNECTING SIDE
- 5 TOOL: SLOTTED SCREW DRIVER 4,0x0,8
- 6 VARNISH ON INSIDE AREA NOT NECESSARY
- 7 PACKAGING: 10 SETS IN A CARTON, PRE-MOUNTED

PN 0-4 OBSOLETE

PN/QTY	DESCRIPTION	MATERIAL	COLOR/SURFACE	NOTE	ITEM
1	BULKHEAD HOUSING	ALU	BLACK	WITHOUT/ LOGO	8
1 1 1 1 1 1	HOSE SECTION	FKM	BLACK	SERIES EMV / HIP, Ø3x1x4.5	7
1 1 1 1 1 1	SCREW, SLOTTED COUNTERS. FLAT HEAD	STAINL.STEEL	BLANK	M3x8 DIN EN ISO 2009	6
1 1 2 2 2 2	PROFILE SEAL	FKM	BLACK	SERIES EMV / HIP	5
1 1 - - -	BULKHEAD HOUSING	ALU	BLACK, SEE NOTE 3	SERIES EMV	4
- - 1 - -	BULKHEAD HOUSING	ALU	GREY	SERIES EMV	3
- - - 1 -	BULKHEAD HOUSING	ALU	WITHOUT VARNISH	SERIES EMV	2
- - - - 1	BULKHEAD HOUSING	ALU	SILVER, SEE NOTE 3	SERIES EMV	1

PARTS LIST (PER ONE UNIT)

0-1102703-3	EMV-K.3/4.AG-S0
4-1102703-5	EMV-K.3/4.AG
3-1102703-5	EMV.3/4.AG
0-1102703-2	EMV.3/4.AG
0-1102703-1	EMV-K.3/4.AG
PART NO.	ORDERING TEXT

THIS DRAWING IS A CONTROLLED DOCUMENT FOR TYCO ELECTRONICS CORPORATION IT IS SUBJECT TO CHANGE AND THE CONTROLLING ENGINEERING ORGANIZATION SHOULD BE CONTACTED FOR THE LATEST REVISION.

DIMENSIONS: mm

TOLERANCES UNLESS OTHERWISE SPECIFIED:

0 PLC	±-
1 PLC	±-
2 PLC	±-
3 PLC	±-
4 PLC	±-
ANGLES	±1°

MATERIAL: - FINISH: -

DWN V.GLUMM 18AUG2009  
 CHK H.Braun 18AUG2009  
 APVD T.Schnurpfeil 18AUG2009

Tyco Electronics Tyco Electronics AMP GmbH  
 64625 Bensheim (Germany)

NAME BULKHEAD HOUSING ASS'Y, BOTTOM ENTRY  
 SERIES EMV, SIZE 1

SIZE A3 CAGE CODE 00779 DRAWING NO C-1102703 RESTRICTED TO -

CUSTOMER DRAWING SCALE 1:1 SHEET 1 OF 1 REV A11