

08080100 & 08080480 BATTERY DISCONNECT SWITCHES

150A • SPST • IP65 • M10 Studs • Push and Key to Off

08080100



08080400
08080480
with chain



08080200



08080300
08080380
with chain

Specifications

| | |
|--------------------------------|----------------------|
| Max Operating Voltage: | 24V DC |
| Max Continuous Current: | 150A |
| Intermittent Current: | 1200A at 5 sec |
| Operating Temp: | -40 °C to +85 °C |
| Ingress Protection: | IP65 |
| Contacts: | Silver-plated Copper |
| Terminals: | M10 (brass nuts) |

Description

Manual Battery Disconnect Switch features a push button for fast push to off operation in event of an emergency. Rotate knob for ON. Switch status is indicated through a window on the top of the knob.

Manual Battery Disconnect Switch features a key that can be turned counter-clockwise until one "click" is heard for the OFF position. Turn counter-clockwise to the second position to completely remove the key.

Applications

- Racing Cars
- Fork-Lift Trucks
- Transpallets
- Water-Crafts

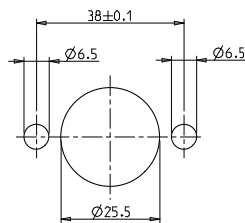
Web Resources

Download 2D print and technical resources at:
littelfuse.com/ManualBatterySwitches

Features/Benefits

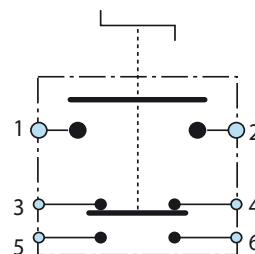
- 100-150A continuous current rating
- Push to OFF feature for emergency situations
- Highly visible bright red handle
- Status window built-in the top of the knob
- Waterproof and dustproof to IP65 for push-button, IP54 for key versions

Mounting Diagram

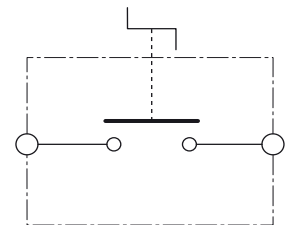


Electrical Diagram

With supplementary contacts



Standard contacts



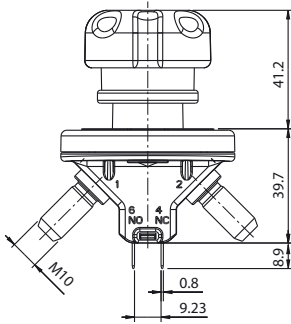
Ordering Information

| PART NUMBER | VOLTAGE | AMPERAGE | CIRCUITRY | MOUNTING | INGRESS | TERMINAL NUTS | NOTES |
|-------------|-----------|----------|-----------|--------------|---------|---------------|---|
| 08080100 | 12-24V DC | 150A | SPST | Through-Hole | IP65 | M10 Brass | Push to off whit supplementary contact |
| 08080200 | 12-24V DC | 150A | SPST | Through-Hole | IP65 | M10 Brass | Push to off |
| 08080300 | 12-24V DC | 150A | SPST | Through-Hole | IP65 | M10 Brass | Key to off |
| 08080380 | 12-24V DC | 150A | SPST | Through-Hole | IP65 | M10 Brass | Key to off whit chain |
| 08080400 | 12-24V DC | 150A | SPST | Through-Hole | IP65 | M10 Brass | Key to off whit supplementary contact |
| 08080480 | 12-24V DC | 150A | SPST | Through-Hole | IP65 | M10 Brass | Key to off whit supplementary contact and chain |

08080100 & 08080480 BATTERY DISCONNECT SWITCHES

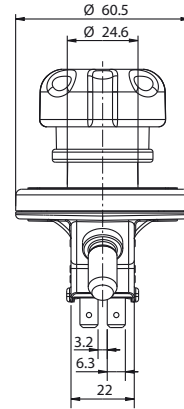
Dimensions in millimeters

PUSH VERSIONS

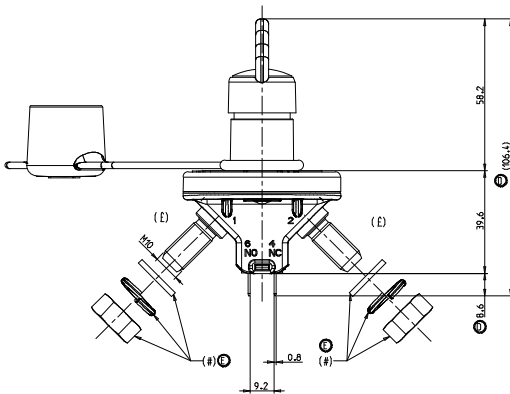


08080100

08080200



KEY VERSIONS

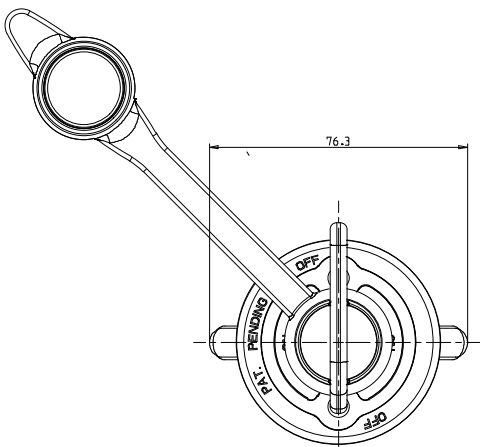
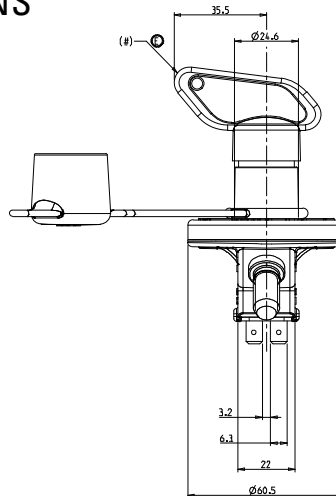


08080300

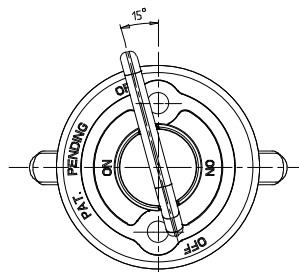
08080380

08080400

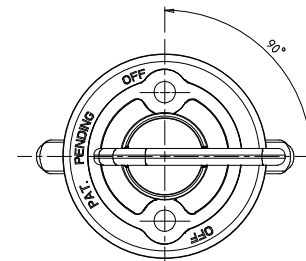
08080480



Close contact



Open contact



Plugging in/Pull Out Key



Visit Littelfuse.com for the most up-to-date product information. Littelfuse reserves the right to make product changes, without notice. Material in this document is as accurate as known at the time of publication.