

**PLEASE CHECK WWW.MOLEX.COM FOR LATEST PART INFORMATION**

**Part Number:** [0681470215](#)  
**Status:** **Active**  
**Overview:** Automotive Bulb Sockets  
**Description:** Wedge Bulb Socket, Single Housing Assembly, W5W, Sealed, Gray

**Documents:**

[3D Model](#) [Packaging Specification PK-49505-001 \(PDF\)](#)  
[Drawing \(PDF\)](#) [RoHS Certificate of Compliance \(PDF\)](#)  
[Product Specification PS-68147-001 \(PDF\)](#)

**General**

|                |                                |
|----------------|--------------------------------|
| Product Family | Other Sockets                  |
| Series         | 68147                          |
| Comments       | Sealed bulb socket for W5W     |
| Component Type | Socket                         |
| Overview       | <u>Automotive Bulb Sockets</u> |
| Product Name   | Wedge Bulb Socket              |
| UPC            | 800756100036                   |

**Physical**

|                                |                |
|--------------------------------|----------------|
| Circuits (Loaded)              | 2              |
| Circuits (maximum)             | 2              |
| Color - Resin                  | Gray           |
| Durability (mating cycles max) | Contact Molex  |
| Entry Angle                    | Vertical       |
| Keying to Mating Part          | None           |
| Material - Metal               | Brass          |
| Material - Resin               | Nylon          |
| Net Weight                     | 5.667/g        |
| PCB Locator                    | No             |
| PCB Retention                  | N/A            |
| Packaging Type                 | Bag            |
| Pitch - Mating Interface       | N/A            |
| Temperature Range - Operating  | -40°C to +85°C |
| Termination Interface: Style   | Through Hole   |

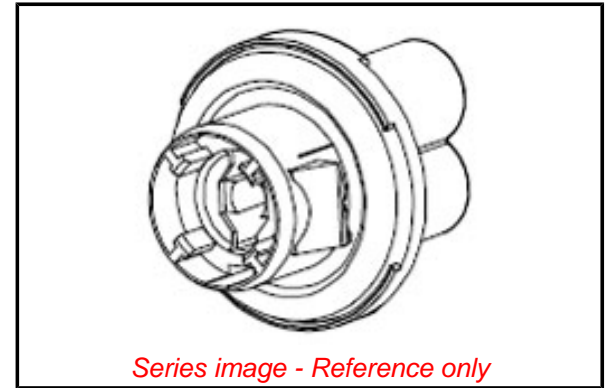
**Electrical**

|                               |      |
|-------------------------------|------|
| Current - Maximum per Contact | 7.0A |
| Voltage - Maximum             | 12V  |

**Material Info**

**Reference - Drawing Numbers**

|                         |              |
|-------------------------|--------------|
| Packaging Specification | PK-49505-001 |
| Product Specification   | PS-68147-001 |
| Sales Drawing           | SD-68147-002 |



*Series image - Reference only*

**EU ELV**

**Compliant**

**EU RoHS**

**Compliant**

**REACH SVHC**

Contains SVHC(2014 December 17): No

**Halogen-Free**

**Status**

**Not Relevant**

**Need more information on product environmental compliance?**

Email [productcompliance@molex.com](mailto:productcompliance@molex.com)  
Please visit the [Contact Us](#) section for any non-product compliance questions.

China ROHS

ELV

Not Relevant

Compliant

**Search Parts in this Series**

[68147 Series](#)

**Mates With**

[Wedge Base Bulb](#)

**Use With**

[Wedge Terminal 35477-9002](#) <br> [Wedge Terminal Wire Seal 49505-9001](#)