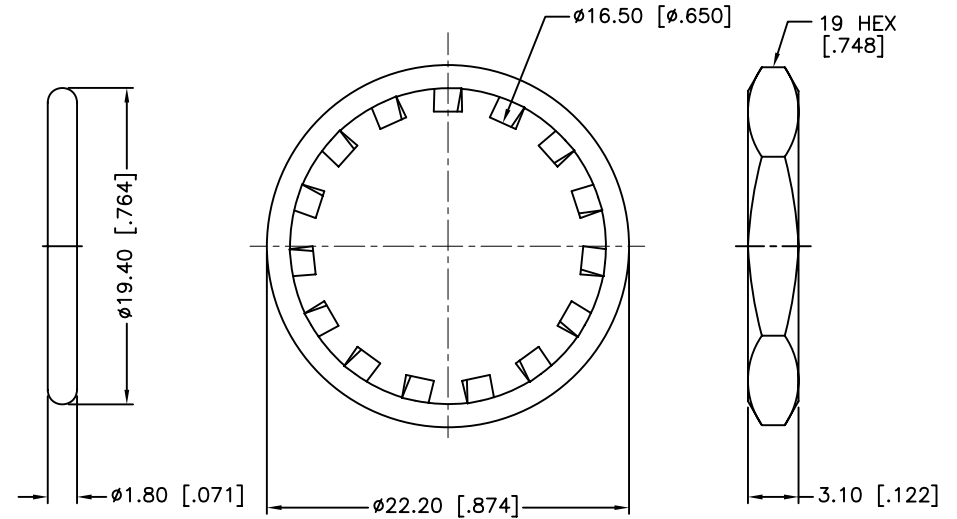
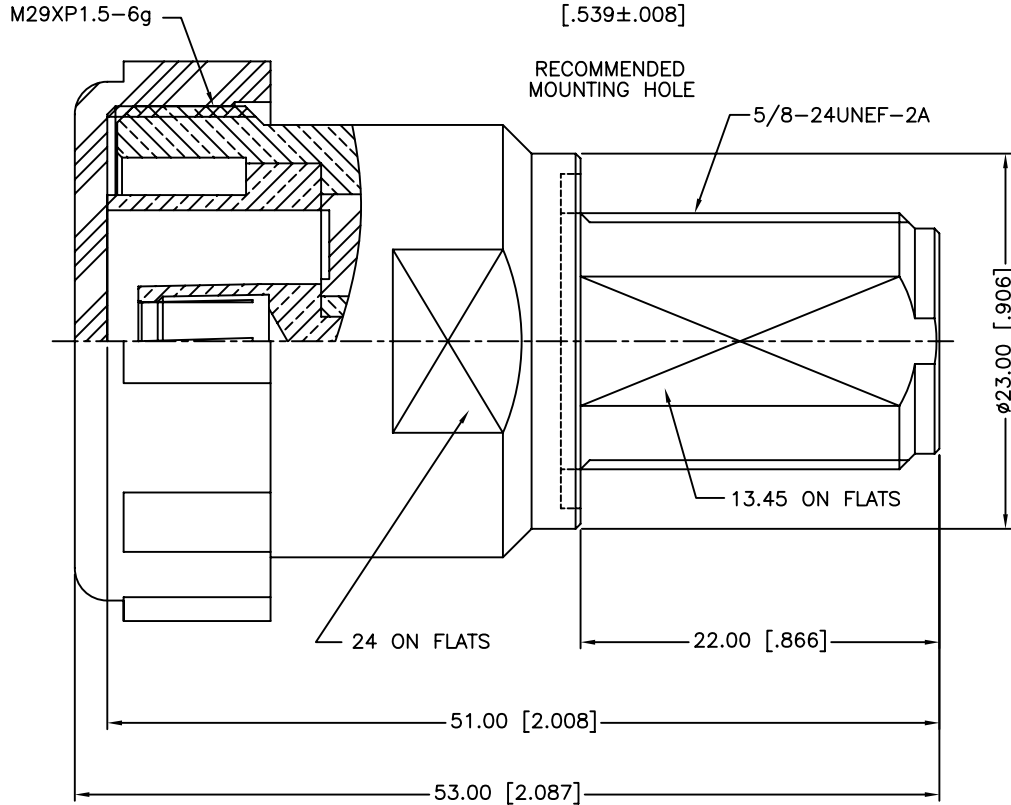
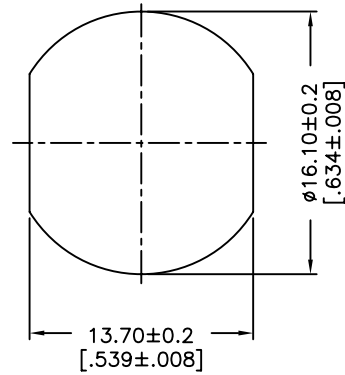


REV.	DATE	ECR NO.	DESCRIPTION
NC	01/09/03	XXXXXX	INITIAL RELEASE
A	02/02/12	XXXXXX	CHANGE LOCK WASHER
B	11/13/12	2402	UPDATE DRAWING FORMAT



1. IMPEDANCE: 50 OHM
2. FREQUENCY RANGE: DC TO 7.5 GHz
3. DIELECTRIC WITHSTANDING VOLTAGE: 2500 VRMS. MIN.
4. DURABILITY: 500 CYCLES MIN.
5. TEMPERATURE RANGE: -65°C TO +165°C
6. MAX. PANEL THICKNESS=6.5 MM

9	HEX NUT	BRASS	NEXCOTE	1
8	LOCK WASHER	BRASS	NEXCOTE	1
7	GASKET	SILICONE RUBBER	RED	1
6	COVER	PE	BLUE	1
5	OUTER CONTACT	BRASS	NEXCOTE	1
4	CONTACT PIN	BERYLLIUM COPPER	SILVER	1
3	CONTACT PIN	PHOSPHOR BRONZE	SILVER	1
2	INSULATOR	PTFE	NATURAL	1
1	BODY	BRASS	NEXCOTE	1
	DESCRIPTION	MATERIAL	FINISH	QTY

UNLESS OTHERWISE SPECIFIED DIMENSIONS ARE IN MILLIMETERS. DIMENSIONS IN [] ARE IN INCHES AND FOR CUSTOMER REFERENCE ONLY.

UNLESS OTHERWISE SPECIFIED TOLERANCES FOR MILLIMETERS ARE:
0.5 - 8mm ± 0.20mm
8 - 30mm ± 0.40mm
30 - 120mm ± 0.50mm

UNLESS OTHERWISE SPECIFIED TOLERANCES FOR INCHES ARE:
.020 - .315 = ± 0.007"
.315 - 1.180 = ± 0.015"
1.180 - 4.724 = ± 0.020"

DO NOT SCALE DRAWING

APPROVALS	DATE
DRAWN M.ZHANG	11/13/12
CHECKED	
ISSUED	
SHEET 1 OF 1	
CAD FILE	C:/CONNEX/272183.DWG

PART DESCRIPTION			
Amphenol Connex			
N BULKHEAD JACK TO 7/16 JACK ADAPTER			
PART NO. 272183			
DWG. NO.	272183.DWG	REV.	B
SIZE	A	SCALE	NA