

IEC Appliance Inlet C16A, Screw-on Mounting, Front Side, Quick-connect or Screw-on Terminal



C16 A



155 °C

**Description**

- Panel Mount:  
Screw-on mounting, Frontside
- 1 Function:

- Appliance Inlet, Pin temperature 155 °C, Protection class I

**Approvals**

- VDE Certificate Number: 40009510
- UL File Number: E96454
- CSA File Number: 27324

**References**

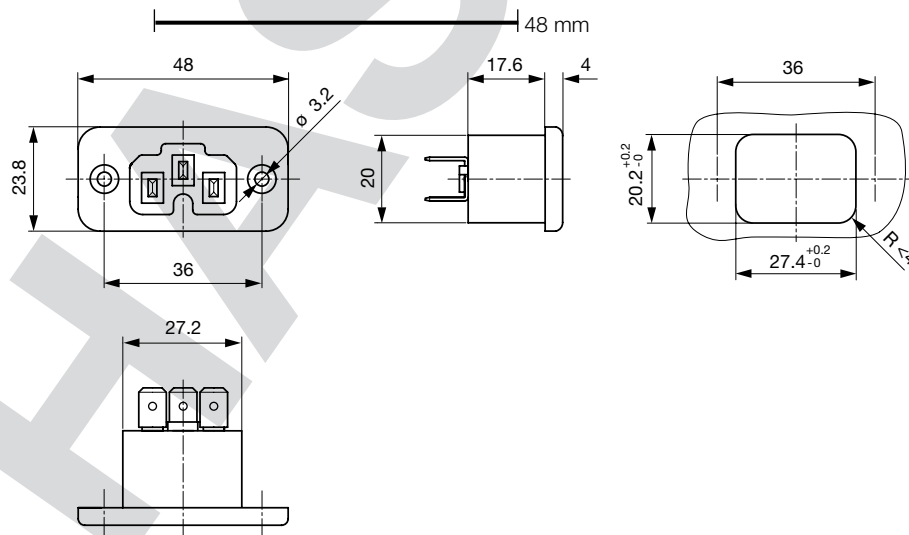
This type is Phase-out. Alternate type: [6120-3](#)  
Last order date: 31.12.2012

**Weblinks**

[pdf-datasheet](#), [html-datasheet](#), [General Product Information](#), [Approvals](#), [RoHS](#), [CHINA-RoHS](#), [Mating Connectors](#), [e-Shop](#), [SCHURTER-Stock-Check](#), [Distributor-Stock-Check](#), [CAD-Drawings](#), [Accessories](#), [Detailed request for product](#)

**Technical Data**

Ratings IEC	10A / 250VAC; 50Hz	Appliance Inlet	C16A acc. to IEC 60320
Ratings UL/CSA	15A / 250VAC; 60Hz		UL 498, CSA C22.2 no. 42 (for hot conditions) pin-temperature 155 °C, 10A, Protection Class I
Dielectric Strength	> 3kVAC between L-N > 1.5kVAC between L/N-PE (1 min/50Hz)		
Allowable Operation Temp.	-25 °C to 155 °C		
Degree of Protection	from front side IP 20 acc. to IEC 60529		
Protection Class	Suitable for appliances with protection class I acc. to IEC 61140		
Material: Housing	black or grey		

**Dimensions**

Length of the terminal please find at the order code configuration table

## Config. Code

0181 - H - A B C 0 - D - E

The characters are placeholders for the correspondingly keys of selections from the key tables.

0181 - H - A B C 0 - D - E = Type

Type	Configuration key
protection class 1	X

0181 - H - A B C 0 - D - E = Terminals

Terminal L	Configuration key
Blade terminal (4.8 x 0.8 mm) 	8
Blade terminal (6.3 x 0.8 mm) 	9
screw terminal	A

0181 - H - A B C 0 - D - E = Terminals

Terminal N	Configuration key
Blade terminal (4.8 x 0.8 mm)	8
Blade terminal (6.3 x 0.8 mm)	9
screw terminal	A

Symbols similar as in table A

0181 - H - A B C 0 - D - E = Terminals

Terminal Ground	Configuration key
Blade terminal (4.8 x 0.8 mm)	8
Blade terminal (6.3 x 0.8 mm)	9
screw terminal	A

Symbols similar as in table A

0181 - H - A B C 0 - D - E = Color

Color	Configuration key
Black	A
Grey	C

0181 - H - A B C 0 - D - E = Style

Style	Configuration key
flange with countersunk holes	1
flange with through holes	2

## Variants

Config. Code	Description	Order Number
0181-X-8880-A-1	0181, IEC Appliance Inlet C16A, 155°C, version: 1, L: Blade terminal (4.8 x 0.8 mm), N: Blade terminal (4.8 x 0.8 mm), ground: Blade terminal (4.8 x 0.8 mm), color: Black, design: flange with countersunk holes, dimension X: , features:	6172.0002
0181-X-9990-A-1	0181, IEC Appliance Inlet C16A, 155°C, version: 1, L: Blade terminal (6.3 x 0.8 mm), N: Blade terminal (6.3 x 0.8 mm), ground: Blade terminal (6.3 x 0.8 mm), color: Black, design: flange with countersunk holes, dimension X: , features:	6172.0004
0181-X-9990-C-1	0181, IEC Appliance Inlet C16A, 155°C, version: 1, L: Blade terminal (6.3 x 0.8 mm), N: Blade terminal (6.3 x 0.8 mm), ground: Blade terminal (6.3 x 0.8 mm), color: Grey, design: flange with countersunk holes, dimension X: , features:	6172.0005
0181-X-AAA0-C-1	0181, IEC Appliance Inlet C16A, 155°C, version: 1, L: screw terminal, N: screw terminal, ground: screw terminal, color: Grey, design: flange with countersunk holes, dimension X: , features:	6172.0007

The listed variants should be available from stock. Other versions on request [www.schurter.com/contact](http://www.schurter.com/contact)

**Packaging unit** 50 Pcs

## Mating Outlets/Connectors

Category / Description



[Connector Overview complete](#)

IEC Connector C15A, Rewireable, Straight	0102
IEC Connector C15A, Rewireable, Straight	0102-G
IEC Connector C15A, Rewireable, Angled	0112

[Connector further types to 0181](#)