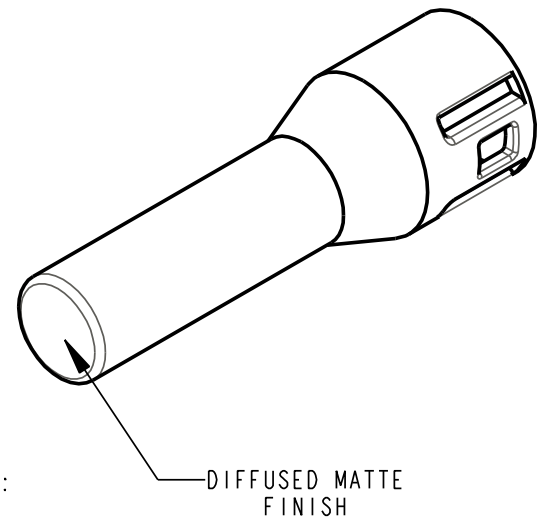
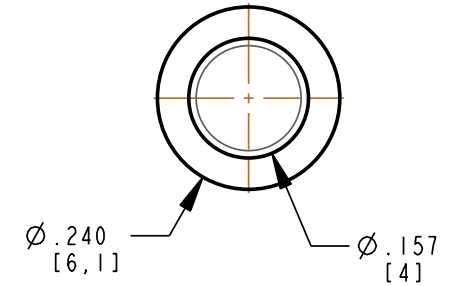
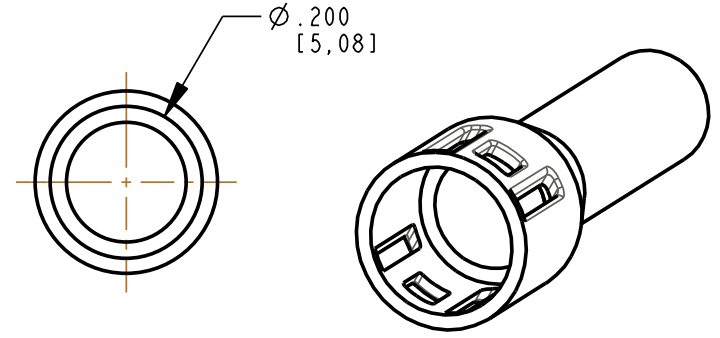
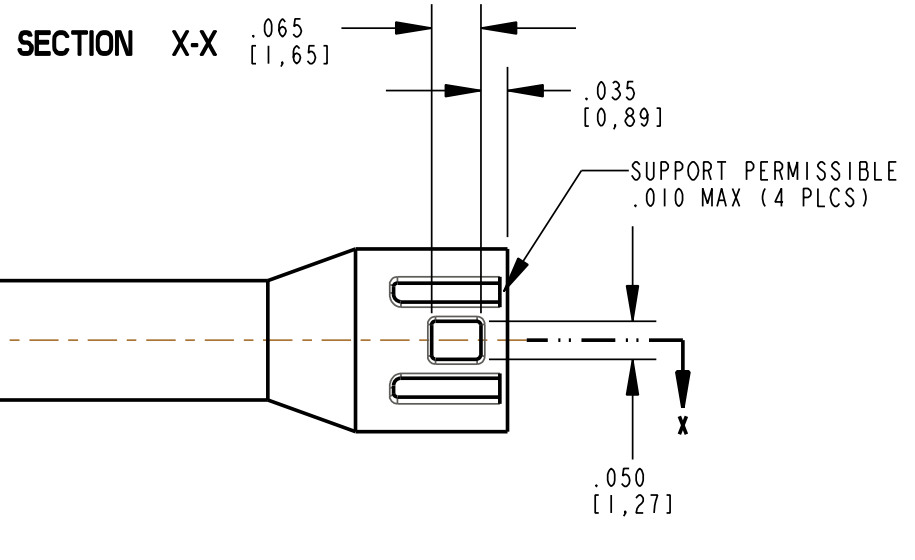
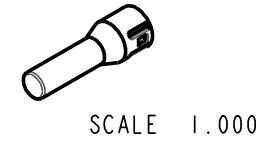
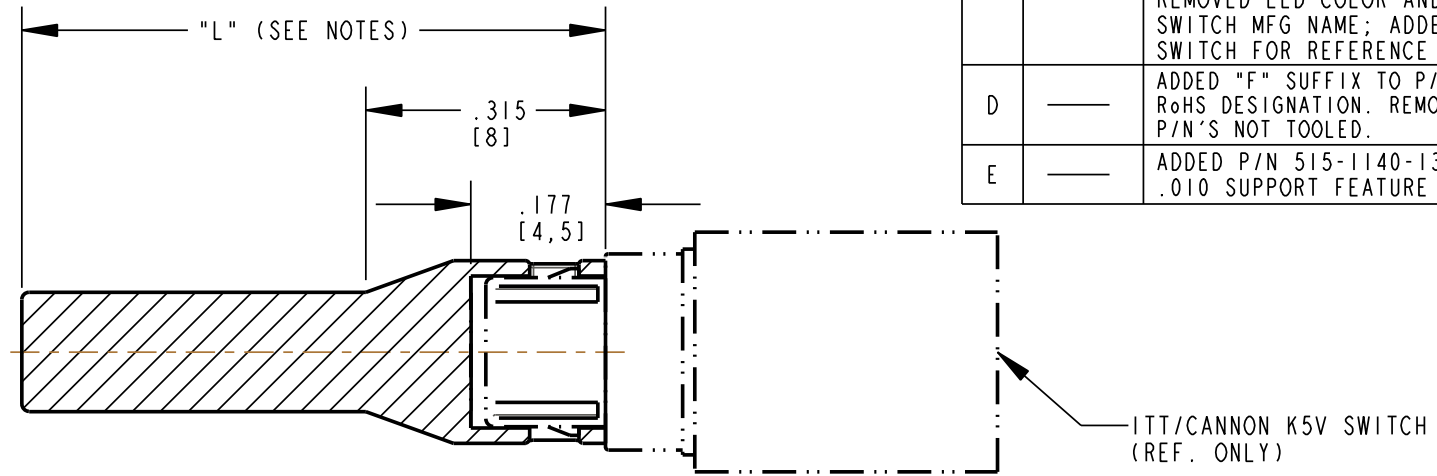


**PART NUMBER TABLE**

DIALIGHT PART NUMBER	DIM "L"	DIALIGHT PART NUMBER	DIM "L"
515-1140-100F	.394 (10 mm)	—	.709 (18 mm)
—	.413 (10.5 mm)	—	.728 (18.5 mm)
—	.433 (11 mm)	—	.748 (19 mm)
—	.453 (11.5 mm)	515-1140-195F	.768 (19.5 mm)
515-1140-120F	.472 (12 mm)	—	.787 (20 mm)
515-1140-125F	.492 (12.5 mm)	—	.807 (20.5 mm)
515-1140-130F	.512 (13 mm)	—	.827 (21 mm)
—	.513 (13.5 mm)	—	.846 (21.5 mm)
—	.551 (14 mm)	—	.866 (22 mm)
—	.571 (14.5 mm)	515-1140-225F	.886 (22.5 mm)
—	.590 (15 mm)	—	.905 (23 mm)
—	.610 (15.5 mm)	515-1140-235F	.925 (23.5 mm)
—	.630 (16 mm)	—	.945 (24 mm)
—	.650 (16.5 mm)	—	.964 (24.5 mm)
—	.669 (17 mm)	515-1140-250F	.984 (25 mm)
—	.689 (17.5 mm)	—	—

REV	ECN NO	REVISIONS	DRN	CKD	APP	QA	CM	DATE
A	—	NEW RELEASE	TWC	TC	N.O.	RL	PS	3-24-05
B	—	ADDED .035 DIMENSION	TWC	HS	N.O.	RL	PS	4-28-05
C	—	REVISED TITLE BOX; MOVED DWG NUMBER AND ADDED PART NUMBER, SEE TABLE; NOTE 2 REMOVED LED COLOR AND ADDED SWITCH MFG NAME; ADDED SWITCH FOR REFERENCE	TWC	TC	N.O.	RL	PS	6-3-05
D	—	ADDED "F" SUFFIX TO P/N FOR RoHS DESIGNATION. REMOVED P/N'S NOT TOOLED.	MES	TWC	N.O.	—	—	3-13-06
E	—	ADDED P/N 515-1140-130F AND .010 SUPPORT FEATURE	TWC	—	—	—	—	—



**NOTES:**

- VARIABLE LENGTH LIGHT PIPE ACTUATOR TO BE MOLDED IN A CLEAR, TRANSMISSIVE, 94-V0 POLYCARBONATE.
- LIGHT PIPE ACTUATOR SNAPS ONTO A K5V ITT/CANNON RIGHT ANGLE PUSH-BUTTON SWITCH.
- VARIABLE LENGTH LIGHT PIPE ACTUATOR IS BETWEEN 10mm MINIMUM AND 25mm MAXIMUM, BASIC PART NUMBER IS 515-1140-XXXF

EXACT ACTUATOR PART NUMBER TO BE DETERMINED BY THE LENGTH IN mm (DIMENSION "L").  
 EXAMPLE: AN ACTUATOR THAT HAS AN "L" DIMENSION OF 12mm WOULD BE 515-1140-120F. AN ACTUATOR THAT HAS AN "L" DIMENSION OF 19.5mm WOULD BE 515-1140-195F. LENGTHS MUST BE IN 0.5mm INCREMENTS. SEE PART NUMBER TABLE FOR EXACT PART NUMBERS.

- EACH LENGTH REQUIRES AND ADDITIONAL CORE PIN TOOLING CHARGE.
- IDENTIFICATION FOR PARTS DEEMED TO LOW FOR MARKING TO BE BAGGED AND LABELED WITH THE FOLLOWING INFO:  
 P/N 515-1140-1XXF  
 REVISION LEVEL: AS REQUIRED QUANTITY PER BAG: 100  
 MOLDING DATE CODE: XX XX  
                                   YR WEEK  
 MANUFACTURER: DIALIGHT, COUNTRY OF ORIGIN: USA  
 MATERIAL VENDOR & IDENTIFIER: >PC + FR<

**RoHS Compliant 515-1140-XXXF LIGHT PIPE**

Part Numbers with the "F" suffix ending are RoHS Compliant.  
 Example: 515-1140-100F  
 Packaging is marked with "RoHS Compliant" label or equivalent markings.

THIS DRAWING AND THE CONTENTS HEREIN ARE CONFIDENTIAL AND THE SOLE PROPERTY OF DIALIGHT. REPRODUCTION OF THIS DRAWING OR CONSTRUCTION OF ANY PARTS WITHIN THIS DRAWING ARE FORBIDDEN WITHOUT THE WRITTEN CONSENT OF DIALIGHT.		
SCALE: 4.000	DRAWING NUMBER C-17210	REV E
ALL DIM'S IN: INCHES (MM)	PART NUMBER SEE TABLE	
TOLERANCES: UNLESS OTHERWISE SPECIFIED	TITLE ACTUATOR, LIGHTPIPE RoHS COMPLIANT	
FRACTIONS: ±1/64	MATERIAL SEE NOTES	
DECIMALS (.XX): ±.01	FINISH: SPI A3 TO B1	
DECIMALS (.XXX): ±.005	Dialight 1501 ROUTE 34 SOUTH FARMINGDALE, NJ 07727	
DECIMALS (.XXXX): ±.0005	FSCM 83330	
ANGLES: ±1°	SHEET 1 OF 1 FAMILY TABLE:	