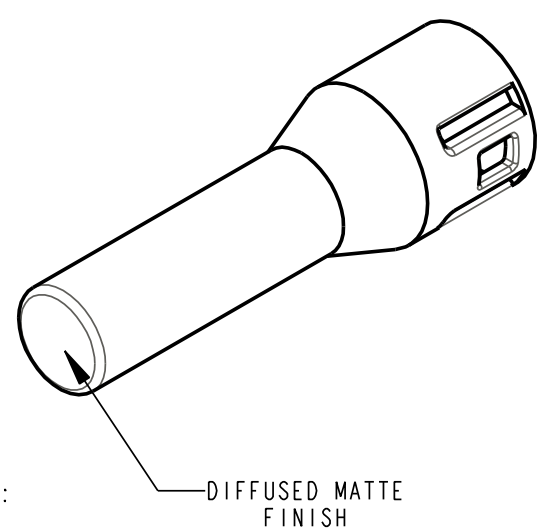
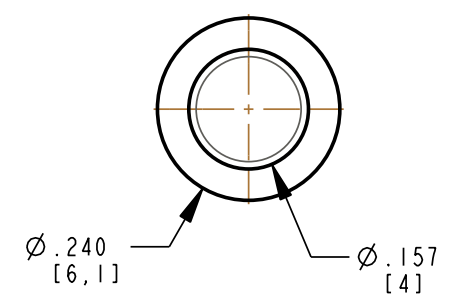
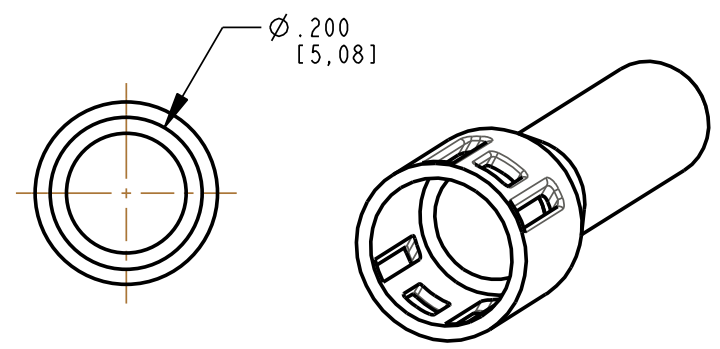
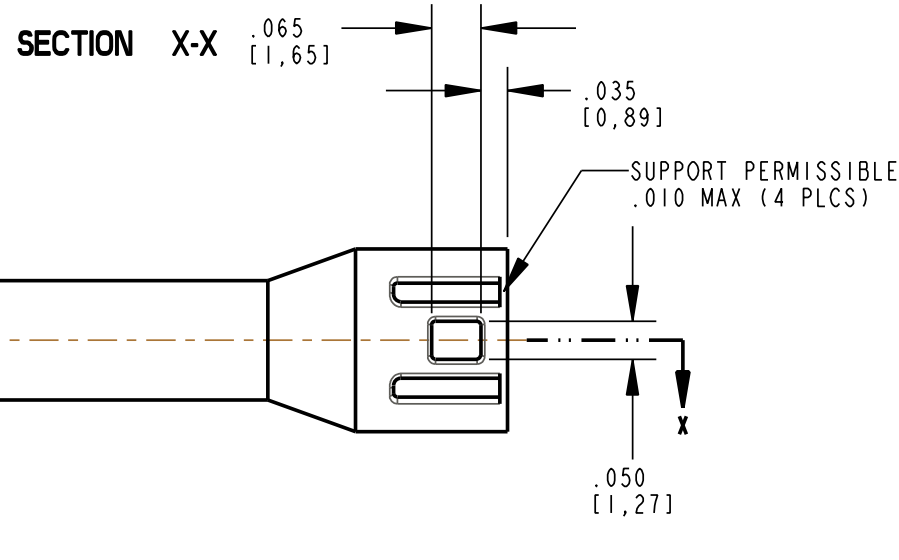
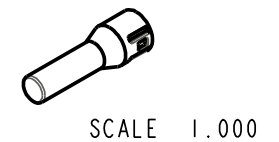
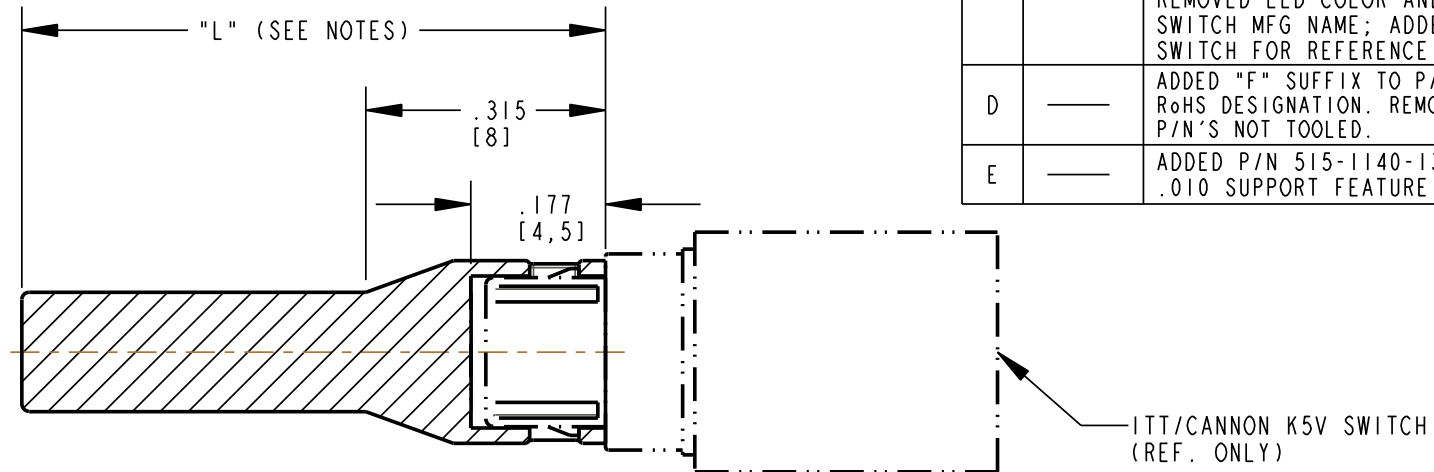


PART NUMBER TABLE

| DIALIGHT PART NUMBER | DIM "L" | DIALIGHT PART NUMBER | DIM "L" |
|----------------------|----------------|----------------------|----------------|
| 515-1140-100F | .394 (10 mm) | — | .709 (18 mm) |
| — | .413 (10.5 mm) | — | .728 (18.5 mm) |
| — | .433 (11 mm) | — | .748 (19 mm) |
| — | .453 (11.5 mm) | 515-1140-195F | .768 (19.5 mm) |
| 515-1140-120F | .472 (12 mm) | — | .787 (20 mm) |
| 515-1140-125F | .492 (12.5 mm) | — | .807 (20.5 mm) |
| 515-1140-130F | .512 (13 mm) | — | .827 (21 mm) |
| — | .513 (13.5 mm) | — | .846 (21.5 mm) |
| — | .551 (14 mm) | — | .866 (22 mm) |
| — | .571 (14.5 mm) | 515-1140-225F | .886 (22.5 mm) |
| — | .590 (15 mm) | — | .905 (23 mm) |
| — | .610 (15.5 mm) | 515-1140-235F | .925 (23.5 mm) |
| — | .630 (16 mm) | — | .945 (24 mm) |
| — | .650 (16.5 mm) | — | .964 (24.5 mm) |
| — | .669 (17 mm) | 515-1140-250F | .984 (25 mm) |
| — | .689 (17.5 mm) | — | — |

| REV | ECN NO | REVISIONS | DRN | CKD | APP | QA | CM | DATE |
|-----|--------|--|-----|-----|------|----|----|---------|
| A | — | NEW RELEASE | TWC | TC | N.O. | RL | PS | 3-24-05 |
| B | — | ADDED .035 DIMENSION | TWC | HS | N.O. | RL | PS | 4-28-05 |
| C | — | REVISED TITLE BOX; MOVED DWG NUMBER AND ADDED PART NUMBER, SEE TABLE; NOTE 2 REMOVED LED COLOR AND ADDED SWITCH MFG NAME; ADDED SWITCH FOR REFERENCE | TWC | TC | N.O. | RL | PS | 6-3-05 |
| D | — | ADDED "F" SUFFIX TO P/N FOR RoHS DESIGNATION. REMOVED P/N'S NOT TOOLED. | MES | TWC | N.O. | — | — | 3-13-06 |
| E | — | ADDED P/N 515-1140-130F AND .010 SUPPORT FEATURE | TWC | — | — | — | — | — |



NOTES:

- VARIABLE LENGTH LIGHT PIPE ACTUATOR TO BE MOLDED IN A CLEAR, TRANSMISSIVE, 94-V0 POLYCARBONATE.
- LIGHT PIPE ACTUATOR SNAPS ONTO A K5V ITT/CANNON RIGHT ANGLE PUSH-BUTTON SWITCH.
- VARIABLE LENGTH LIGHT PIPE ACTUATOR IS BETWEEN 10mm MINIMUM AND 25mm MAXIMUM, BASIC PART NUMBER IS 515-1140-XXXF

EXACT ACTUATOR PART NUMBER TO BE DETERMINED BY THE LENGTH IN mm (DIMENSION "L").
 EXAMPLE: AN ACTUATOR THAT HAS AN "L" DIMENSION OF 12mm WOULD BE 515-1140-120F. AN ACTUATOR THAT HAS AN "L" DIMENSION OF 19.5mm WOULD BE 515-1140-195F. LENGTHS MUST BE IN 0.5mm INCREMENTS. SEE PART NUMBER TABLE FOR EXACT PART NUMBERS.

- EACH LENGTH REQUIRES AND ADDITIONAL CORE PIN TOOLING CHARGE.
- IDENTIFICATION FOR PARTS DEEMED TO LOW FOR MARKING TO BE BAGGED AND LABELED WITH THE FOLLOWING INFO:
 P/N 515-1140-1XXF
 REVISION LEVEL: AS REQUIRED QUANTITY PER BAG: 100
 MOLDING DATE CODE: XX XX
 YR WEEK
 MANUFACTURER: DIALIGHT, COUNTRY OF ORIGIN: USA
 MATERIAL VENDOR & IDENTIFIER: >PC + FR<

RoHS Compliant 515-1140-XXXF LIGHT PIPE

Part Numbers with the "F" suffix ending are RoHS Compliant.
 Example: 515-1140-100F
 Packaging is marked with "RoHS Compliant" label or equivalent markings.

| | | |
|---|--|-------|
| THIS DRAWING AND THE CONTENTS HEREIN ARE CONFIDENTIAL AND THE SOLE PROPERTY OF DIALIGHT. REPRODUCTION OF THIS DRAWING OR CONSTRUCTION OF ANY PARTS WITHIN THIS DRAWING ARE FORBIDDEN WITHOUT THE WRITTEN CONSENT OF DIALIGHT. | | |
| SCALE: 4.000 | DRAWING NUMBER C-17210 | REV E |
| ALL DIM'S IN: INCHES (MM) | PART NUMBER SEE TABLE | |
| TOLERANCES: UNLESS OTHERWISE SPECIFIED | TITLE ACTUATOR, LIGHTPIPE RoHS COMPLIANT | |
| FRACTIONS: ±1/64 | MATERIAL SEE NOTES | |
| DECIMALS (.XX): ±.01 | FINISH: SPI A3 TO B1 | |
| DECIMALS (.XXX): ±.005 | Dialight 1501 ROUTE 34 SOUTH FARMINGDALE, NJ 07727 | |
| DECIMALS (.XXXX): ±.0005 | FSCM 83330 | |
| ANGLES: ±1° | SHEET 1 OF 1 FAMILY TABLE: | |