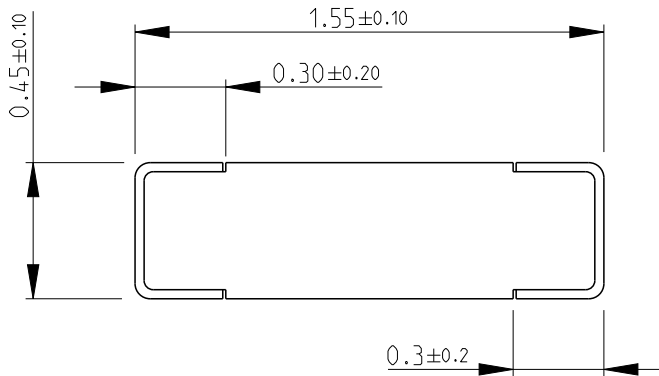
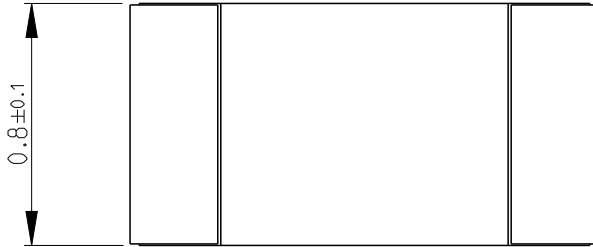


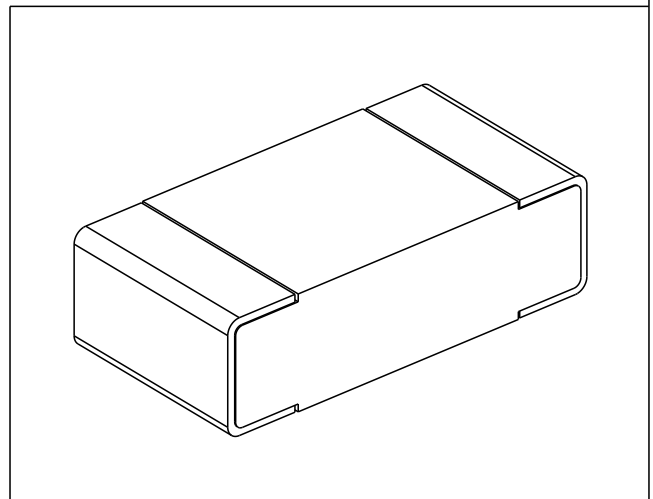
REVISIONS

P	LTR	DESCRIPTION	DATE	DWN	APVD
	BA2	ECR-14-009193	19JUN2014	KR	TN

FOR FURTHER INFORMATION SEE DATA SHEET FOR CPF SERIES-THIN FILM PRECISION CHIP RESISTORS



RoHS Compliant



2008


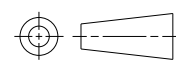
RELEASED FOR PUBLICATION

ALL RIGHTS RESERVED.

BY -

© COPYRIGHT 2008

THIS DRAWING IS UNPUBLISHED.

DIMENSIONS:		DWN	22-Sep-08	MATERIAL	-	FINISH	-
mm		SUBHASH.M		 TE Connectivity			
TOLERANCES UNLESS OTHERWISE SPECIFIED:		CHK	22-Sep-08				
0 PLC ±0.2		PRAKASH.S					
1 PLC ±0.1		APVD	22-Sep-08	NAME THIN FILM PRECISION CHIP RESISTORS			
2 PLC ±		STEPHEN.P		SERIES CPF 0603			
3 PLC ±		PRODUCT SPEC	-	SIZE	CAGE CODE	DRAWING NO	RESTRICTED TO
4 PLC ±		APPLICATION SPEC	-	A 4	00779	C-1614882	-
ANGLES ±5°		WEIGHT	-	Customer Drawing			
				SCALE	40:1	SHEET	1 OF 1
						REV	BA2