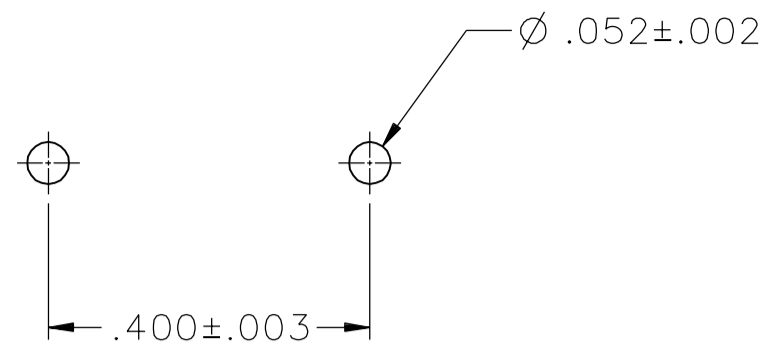


PART NUMBER	ITEM ① JACK BODY	ITEM ② CONTACT CLIP
105-XXXX-101	NYLON	COPPER SILVER PL .0001 MIN OVER CU. PL .000010 MIN
-102	NYLON	COPPER TIN PL .0001 MIN OVER NICKEL PL .000075+- .000025
-105	NYLON	COPPER GOLD PL .00001 MIN OVER NICKEL PL .00005 MIN OVER CU, PL .000010 MIN
-109	NYLON	BERYLLIUM COPPER SILVER PL .0001 MIN OVER CU. PL .000010 MIN
-110	NYLON	BERYLLIUM COPPER GOLD PL .00001 MIN OVER NICKEL PL .00005 MIN OVER CU, PL .000010 MIN

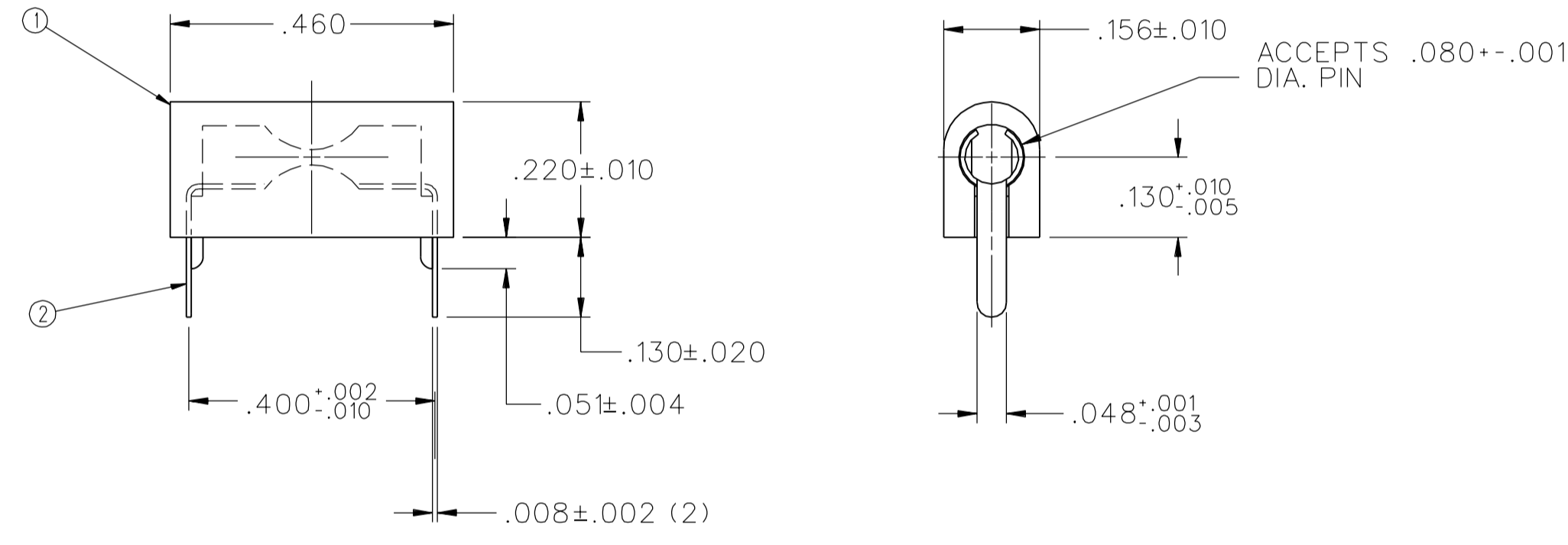
SEE SEPARATE TABULATION OF CATALOG DESIGNATION FOR VARIOUS COLORED BODIES.

CATALOG DESIGNATION FOR VARIOUS COLORED BODIES		
PART NUMBER	COLOR	BODY NUMBER
105-2201	WHITE	032-0120-151
105-2202	RED	032-0120-152
105-2203	BLACK	032-0120-153
105-2204	GREEN	032-0120-154
105-2206	ORANGE	032-0120-156
105-2207	YELLOW	032-0120-157
105-2208	BROWN	032-0120-158
105-2210	BLUE	032-0120-160
105-2212	VIOLET	032-0120-162
105-2213	GRAY	032-0120-163

DRAWING NO. C - 105-2201-101		C - 105-2220-110	
0 REVISIONS			
VERSION UPDATE			
27	7-28-91	RH	RJB
ECO 40489			



MOUNTING HOLE LAYOUT



CUSTOMER DRAWING

THIS DRAWING TO BE INTERPRETED PER ASME Y 14.5M - 1994

"μSTATION"

COMPANY CONFIDENTIAL

- NOTES:
- VOLTAGE RATING: 2125 VDC AT SEA LEVEL, 500 VDC AT 50,000 FT.
 - CAPACITANCE BETWEEN TWO ADJACENT JACKS: LESS THAN 1pF AT 1MHz.
 - CURRENT RATING: 5 AMPERE AT 60 Hz.
 - CONTACT RESISTANCE: 5 MILLIOHMS MAX FOR GOLD PL PARTS AND 10 MILLIOHMS FOR ALL OTHERS.
 - CIRCUIT BOARD THICKNESS REF: .093 MAX.

TOLERANCE UNLESS OTHERWISE SPECIFIED		DRAWN BY R. HOVLAND (R. WEBER)	DATE 3-28-91 (11-8-76)
DECIMALS	mm	CHECKED BY	DATE
.XX	_____	APPROVED BY RJB	DATE 7-29-91
.XXX ±.005	_____	RELEASE DATE	7-29-91
MATL	_____	U/M	INCH
FINISH	_____	SCALE	4/1



Cinch Connectivity Solutions
P.O. Box 1732
Waseca, MN 56093
1-800-247-8256

TITLE
HORIZONTAL TIP JACK,
INSULATED AND RUGGEDIZED FOR
.080 DIA TIP PLUG

SHEET 2 OF 2
DRAWING NO. C - 105-2201-101
C - 105-2220-110