

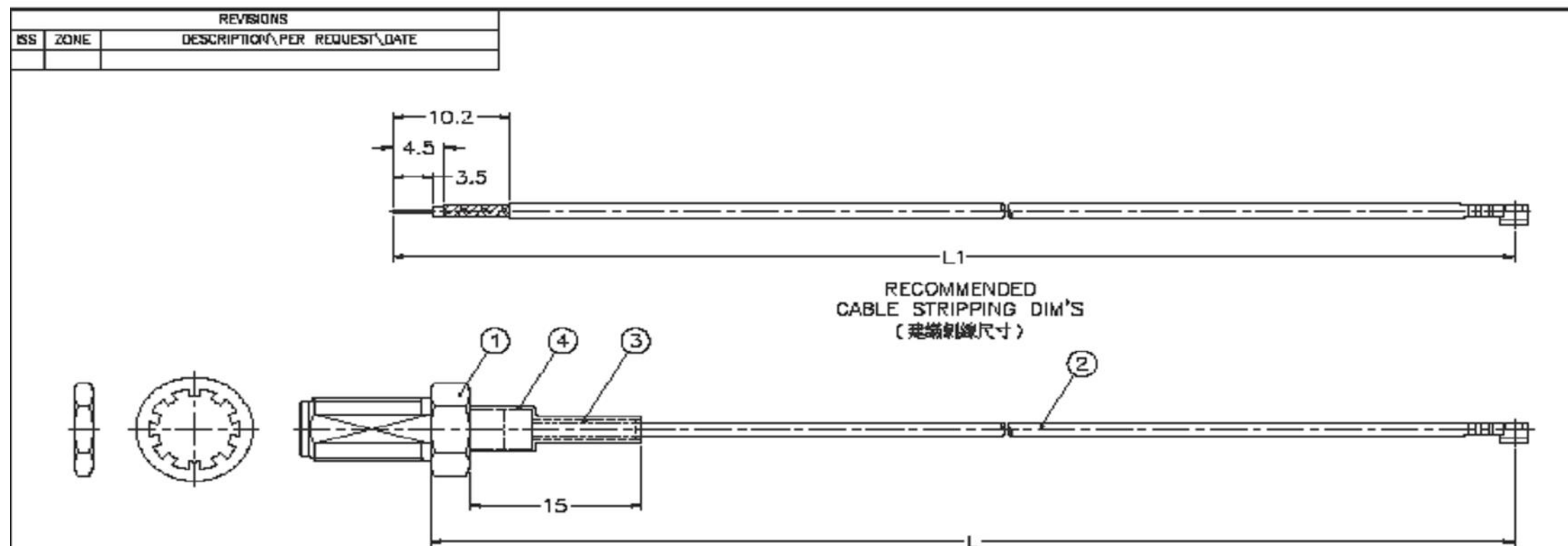
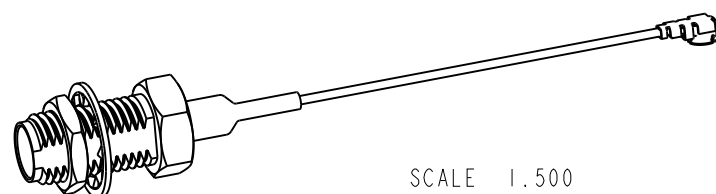
NOTES:

1. PACKAGE CABLE ASSEMBLIES IN A BAG. LABEL BAG WITH AMPHENOL RF, 336314-14-XXXX AND DATE CODE.
2. CABLE ASSEMBLY TO BE 100% TESTED FOR HI-POT, CONTINUITY, SHORTS AND OPEN.
3. APPROVED VENDOR: GOLDENLOCH

THIRD ANGLE PROJ.

REVISIONS

| REV | DESCRIPTION | DATE | ECO | APPR |
|-----|-----------------------------------|-----------|-------|------|
| A | RELEASE TO MFG | -- | -- | -- |
| B | DRAWING UPDATED & COD SHEET ADDED | 28-Jul-15 | 50567 | NR |



| PART NO. | L | L1 | DRAWING NO. | PART NO. | L | L1 | DRAWING NO. |
|----------------|-----|-------|-------------|----------------|-----|-------|-------------|
| 336314-14-0050 | 50 | 53.1 | 1.37X53.1 | 336314-14-0200 | 200 | 203.1 | 1.37X203.1 |
| 336314-14-0100 | 100 | 103.1 | 1.37X103.1 | 336314-14-0250 | 250 | 253.1 | 1.37X253.1 |
| 336314-14-0150 | 150 | 153.1 | 1.37X153.1 | 336314-14-0300 | 300 | 303.1 | 1.37X303.1 |

RoHS COMPLIANT

FOR PURCHASING AND INSPECTION USE ONLY

DESIGN REQUIREMENTS:

- | | |
|---|---|
| <input checked="" type="checkbox"/> FREQUENCY : DC TO 6 GHz | <input checked="" type="checkbox"/> CONTINUITY |
| <input type="checkbox"/> VSWR : ---- MAX | <input checked="" type="checkbox"/> HI-POT : 200 VRMS |
| <input type="checkbox"/> INS. LOSS : ---- dBMAX | <input type="checkbox"/> OTHER |

| DIMENSIONS ARE IN MILLIMETERS | | | | PART NO. 336314-14-XXXX | | G.L.I. | | | |
|---------------------------------------|----------------------|----------|--------|-------------------------|-------------|----------------|---|-------|---|
| 4 | HEAT SHRINK TUBING | BLACK | 1 | Ø4X15mmL | APPROVED | DATE 04-22-'15 | TITLE SMA RP BH CRIMP JACK -AMC R/A PLUG CABLE | | |
| 3 | HEAT SHRINK TUBING | BLACK | 1 | Ø2.5X8mmL | CHECKED | DATE 04-22-'15 | DRAWING NO. BLACK 1.37mm CABLE | | |
| 2 | CABLE | 1.37mm | 1 | SEE TABLE | DRAWN | DATE 04-22-'15 | FILE NO. R:\D\G\DWG\CABLE\U.FL-RSMA\32\336314-14-XXXX | | |
| 1 | SMA RP BH CRIMP JACK | BRASS | 1 | 1436RP-B4-11U2 -32-50 | ANGELA | | | | |
| UNLESS OTHERWISE SPECIFIED TOLERANCES | | | | SCALE 2/1 ISSUE A | | | | | |
| 0.5-8 = ±0.2 | | | | | | | | | |
| 8-30 = ±0.4 | | | | | | | | | |
| 30-120 = ±0.6 | | | | | | | | | |
| 120-315 = ±1 | | | | | | | | | |
| 315-1000 = ±1.8 | | | | | | | | | |
| 1000-2000 = ±2.4 | | | | | | | | | |
| NO. | DESCRIPTION | MATERIAL | FINISH | QTY | DRAWING NO. | SCALE | 2/1 | ISSUE | A |

UNLESS OTHERWISE SPECIFIED, DIMENSIONS ARE IN MILLIMETERS AND TOLERANCES ARE:
 <0.5mm ±0.05mm 0.5 - 6mm ±0.1mm 6 - 30mm ±0.2mm 30 - 120mm ±0.3mm ANGLES ±1°

NOTICE - These drawings, specifications, or other data (1) are, and remain the property of Amphenol corp. (2) must be returned upon request; and (3) are confidential and not to be disclosed to any person other than those to whom they are given by Amphenol Corp. the furnishing of these drawings, specifications, or other data by Amphenol Corp., or to any other person to anyone for any purpose is not to be regarded by implication or otherwise in any manner licensing, granting rights to permitting such holder or any other person to manufacture, use or sell any product, process or design, patented or otherwise, that may in any way be related to or disclosed by said drawings, specifications, or other data.

| | | | | |
|------------------------------|----------------------|----------------|--|-----------------------------------|
| MATERIAL | DRAWN RAJAGOPAL N | DATE 19-May-15 | TITLE RP SMA STR BHD JACK TO AMC R/A PLUG USING 1.37 MM CABLE VARIOUS LENGTH | Amphenol RF www.amphenolrf.com |
| REFERENCE EAR # 6751 | ENGINEER RAJAGOPAL N | DATE 19-May-15 | SCALE: 5.5:1.0 SHEET 1 OF 2 | DRAWING NO. 336314-14-XXXX |
| CONFIGURATION LEVEL: In Work | APPROVED K.CAPOZZI | DATE 28-Jul-15 | DWG SIZE B | ITEM NO. 336314-14-XXXX |
| FINISH | CAD FILE | | REV B | PART NO. 336314-14-XXXX |

NOTES:

1. MATERIALS AND FINISHES:

RP SMA STR BHD JACK - BRASS, GOLD PLATING
 CABLE - 1.37 MM TO AMC R/A PLUG

2. ELECTRICAL:

A. IMPEDANCE: 50 OHM, NOMINAL

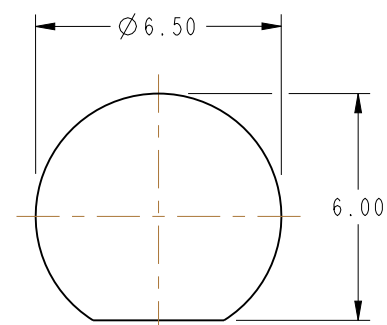
3. PACKAGING:

A. QUANTITY: SINGLE PACK
 B. BAG TO BE MARKED: AMPHENOL RF, 336314-14-XXXX, AND DATE CODE

THIRD ANGLE PROJ.

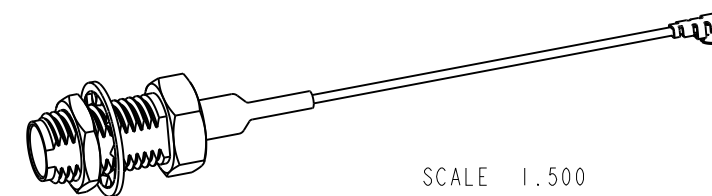
REVISIONS

| REV | DESCRIPTION | DATE | ECO | APPR |
|-----|-----------------------------------|-----------|-------|------|
| A | RELEASE TO MFG | -- | -- | -- |
| B | DRAWING UPDATED & COD SHEET ADDED | 28-Jul-15 | 50567 | NR |

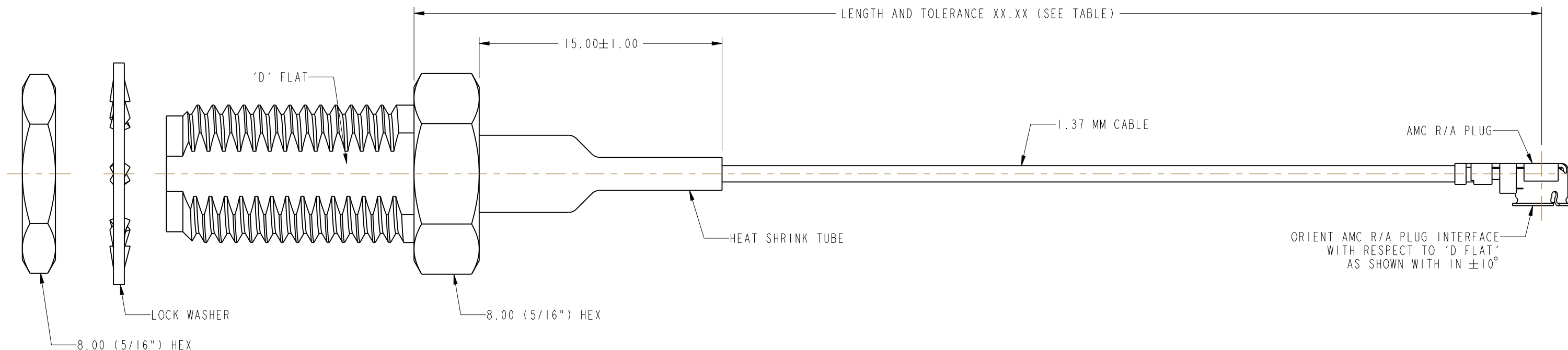


RECOMMENDED MOUNTING HOLE DIMENSIONS

(MAX. PANEL THICKNESS = 3.20 MM)



SCALE 1.500



ORIENT AMC R/A PLUG INTERFACE WITH RESPECT TO 'D FLAT' AS SHOWN WITH IN ±10°

| PART NUMBER | LENGTH AND TOLERANCE XX.XX IN MM |
|----------------|----------------------------------|
| 336314-14-0050 | 50.00±5.00 |
| 336314-14-0100 | 100.00±5.00 |
| 336314-14-0150 | 150.00±5.00 |
| 336314-14-0200 | 200.00±5.00 |
| 336314-14-0250 | 250.00±5.00 |
| 336314-14-0300 | 300.00±5.00 |

DESIGN REQUIREMENTS:

- | | |
|---|---|
| <input checked="" type="checkbox"/> FREQUENCY : DC TO 6 GHz | <input checked="" type="checkbox"/> CONTINUITY |
| <input type="checkbox"/> VSWR : ---- MAX | <input checked="" type="checkbox"/> HI-POT : 200 VRMS |
| <input type="checkbox"/> INS. LOSS : ---- dBMAX | <input type="checkbox"/> OTHER |

CUSTOMER OUTLINE DRAWING

ALL OTHER SHEETS ARE FOR INTERNAL USE ONLY

UNLESS OTHERWISE SPECIFIED, DIMENSIONS ARE IN METRIC AND TOLERANCES ARE:
 <0.5mm ±0.05mm 0.5 - 6mm ±0.1mm 6 - 30mm ±0.2mm 30 - 120mm ±0.3mm ANGLES ±1°

NOTICE - These drawings, specifications, or other data (1) are, and remain the property of Amphenol corp. (2) must be returned upon request; and (3) are confidential and not to be disclosed to any person other than those to whom they are given by Amphenol Corp. the furnishing of these drawings, specifications, or other data by Amphenol Corp., or to any other person to anyone for any purpose is not to be regarded by implication or otherwise in any manner licensing, granting rights to permitting such holder or any other person to manufacture, use or sell any product, process or design, patented or otherwise, that may in any way be related to or disclosed by said drawings, specifications, or other data.

| | | | | | |
|------------------------------|-------------------------|-------------------|---|-------------------------|-----------------------------------|
| MATERIAL SEE NOTES | DRAWN RAJAGOPAL N | DATE 19-May-15 | TITLE RP SMA STR BHD JACK TO AMC R/A PLUG USING 1.37 MM CABLE VARIOUS LENGTH | | Amphenol RF www.amphenolrf.com |
| REFERENCE EAR # 6751 | ENGINEER RAJAGOPAL N | DATE 19-May-15 | DRAWING NO. 336314-14-XXXX | | |
| CONFIGURATION LEVEL: In Work | APPROVED K.CAPOZZI | DATE 28-Jul-15 | SCALE: 5.5:1.0 | SHEET 2 OF 2 | ITEM NO. 336314-14-XXXX |
| FINISH | CAD FILE | DWG SIZE B | REV B | PART NO. 336314-14-XXXX | |