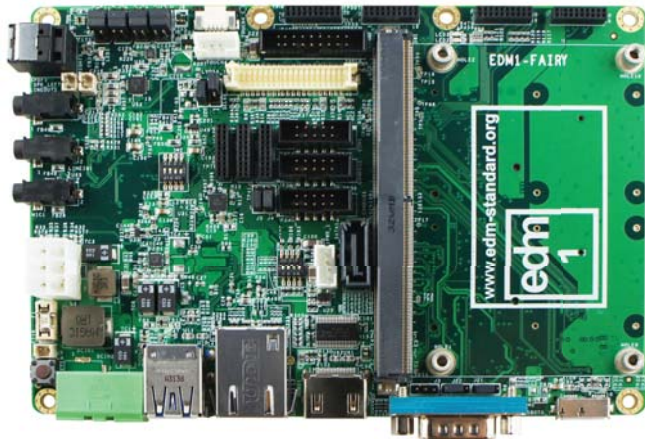


EDM1-FAIRY



Main Features

- Develop your mobile embedded device quickly with the Fairy EDM Carrier Board which features a variety of sensors and interconnects.
- HDMI, TTL and LVDS display interfaces.
- Communication by dual PCI Express (with SIM cardslots).
- Dual CAN Bus, Dual UART, USB and 8 GPIO's for Industrial control.



Power 12 VDC	LAN	TTL		GPMC		I ² S 2 nd	SPDIF	CANBus x2	SD	SPI x2	UART x2	Buttons + GPIO	RSVD
		LVDS	HDMI	PCIe x2	SATA 1 st	USB OTG	USB Host				I ² S 1 st		

Specifications

Core System

System on Module EDM Type 1 compact form factor

Expansion

Expansion Slots 2x mini-PCIe + SIM cardslot (for 3G communication)

I/O Interfaces

Connector 1x SATA
1x micro SD cardslot (SDIO)
1x Gigabit LAN
2x USB 3.0 Host
1x micro USB 3.0 / 2.0 OTG
1x UART (RS-232/422/485)

Header 2x CAN Bus
1x UART (RS-232)
2x SPI
8x GPIO
2x I²C
GPMC Header
Manufacturing pins

Video

Connector 1x HDMI
1 channel LVDS 18/24 bit
RGB TTL 24 bit

Audio

Codec Jumper selectable:
Freescale SGTL5000 (I²S),
TI TLV320AIC23B (I²S)

Connector 1x 3.5 mm jack Stereo Audio in
1x 3.5 mm jack Stereo Audio out
1x 3.5 mm jack Microphone
S/PDIF

Speaker 2W amplified speaker connectors

Touch

Controller TSC2046 (4 wire by SPI)
Connector 4 wire touch panel

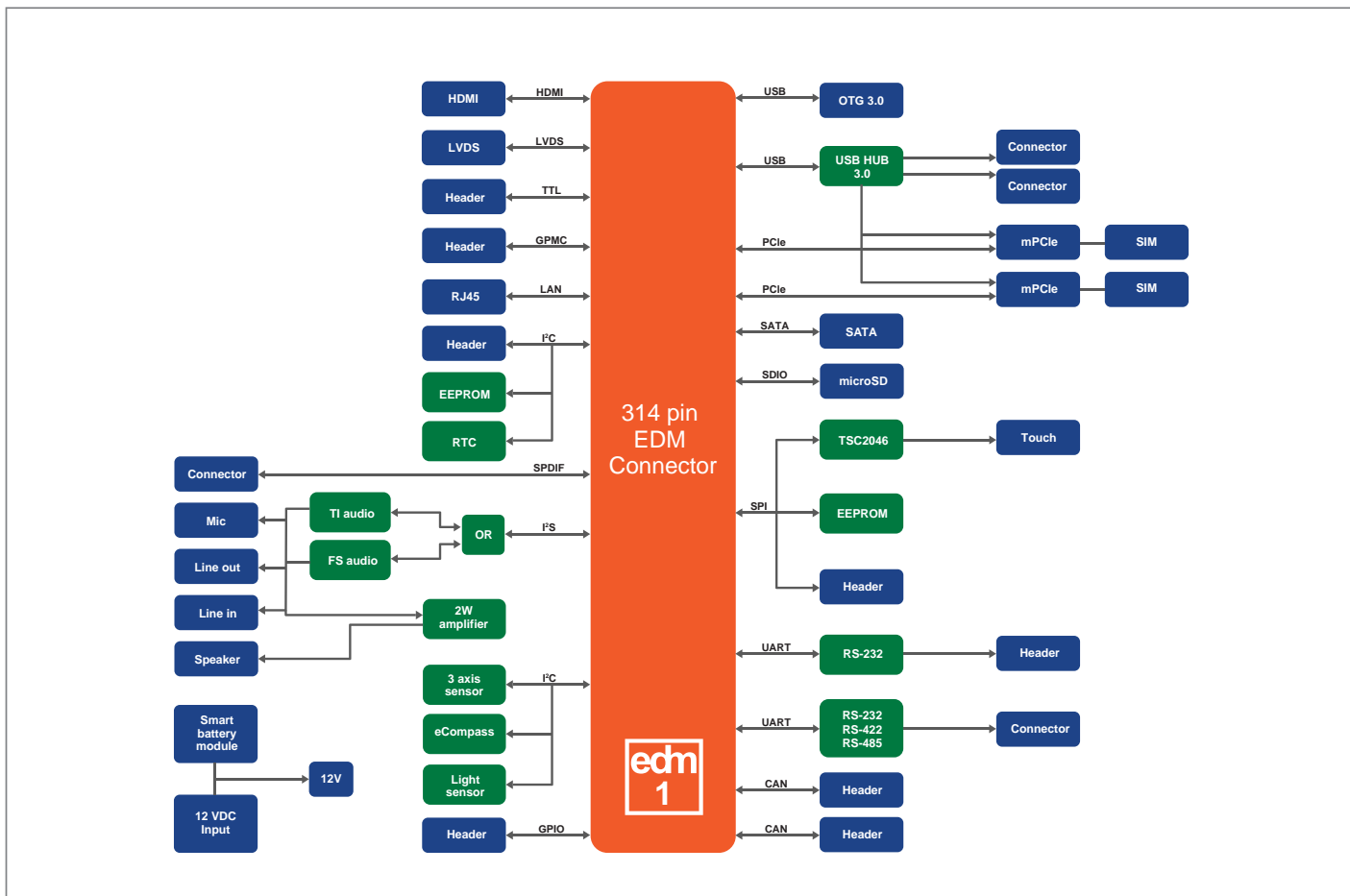
Sensors

3-axis Movement ST Microelectronics LIS331DLH
Light Sensor Intersil ISL29023IROZ-T7
Compass Freescale MAG3110FCR1
Real Time Clock Maxim integrated DS1337+

Power Specifications

Input power 12 VDC
Battery Smart battery connector

Block Diagram



Environmental and Mechanical

Temperature	Commercial : 0° to 60° C Extended : -20° to 70° C Industrial : -40° to 85° C
Humidity	10 to 90%
Module Connector	314 pins MXM3
Form Factor	3.5" Form Factor
Dimensions	147 x 102 mm (5¾ x 4 inch)
MTBF	>100,000 hours
Weight	115 grams
Shock	50G / 25ms
Vibration	20G / 0-600 Hz

Ordering Information

EDM1-FAIRY

3.5 inch form factor Fairy carrier board for EDM type 1 system-on-modules

EDM1-FAIRY-START

Fairy EDM type 1 evaluation board including cablekit and adaptor

* Feel free to contact us for custom tailored Carrier Board request for your projects.

Dimensions

(units in mm)

