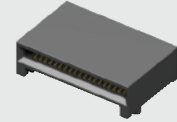


QSFP8-PF-02



QSFP8-038-01-L-D-RA1

(0.80 mm) .0315"

QSFP8, QSFP8-PF, QSFP8-PF SERIES

# QSFP CONNECTOR & CAGE

## SPECIFICATIONS

For complete specifications and recommended PCB layouts see [www.samtec.com?QSFP8](http://www.samtec.com?QSFP8)

**Insulator Material:**  
LCP

**Contact Material:**  
Phosphor Bronze

**Ground Plane:**  
Phosphor Bronze

**Plating:**

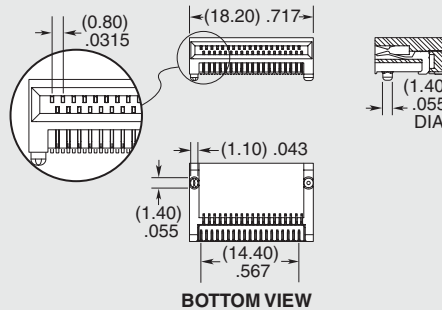
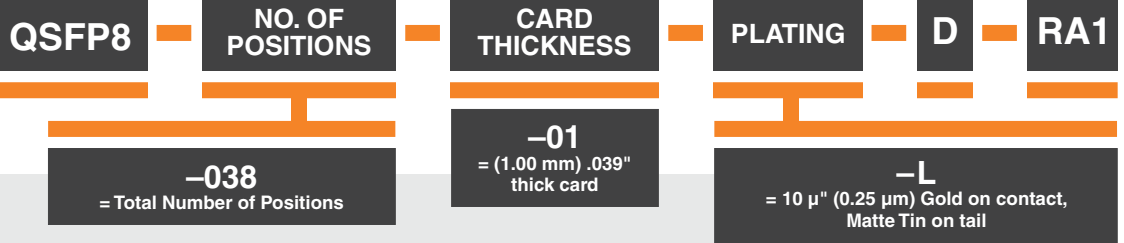
Au or Sn over 50 μ" (1.27 μm) Ni  
**Current Rating (QSFP8/Card):**  
1.6 A per pin  
(2 pins powered)

## RECOGNITIONS

For complete scope of recognitions see [www.samtec.com/quality](http://www.samtec.com/quality)

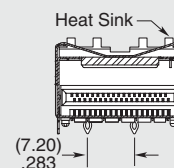
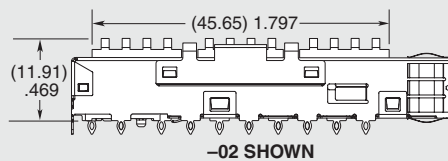
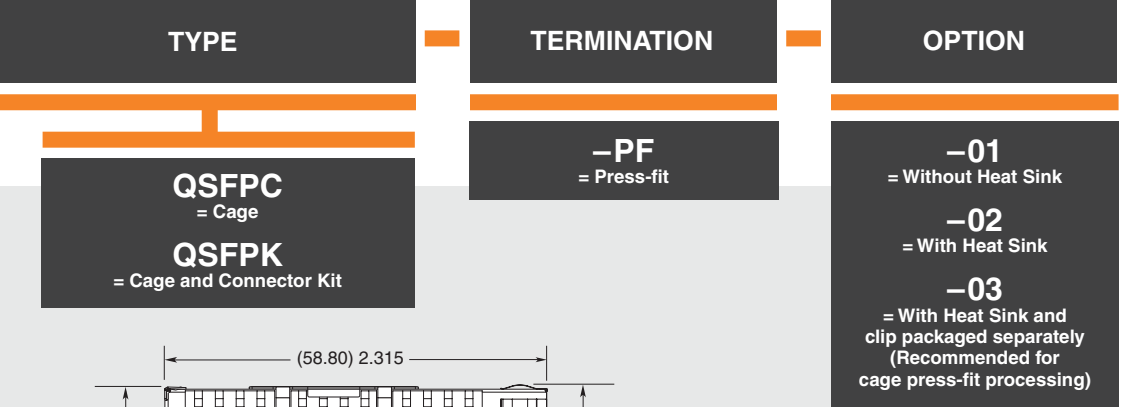


**Note:**  
Some lengths, styles and options are non-standard, non-returnable.



## SPECIFICATIONS

For complete specifications see [www.samtec.com?QSFP8-PF](http://www.samtec.com?QSFP8-PF) or [www.samtec.com?QSFP8-PF](http://www.samtec.com?QSFP8-PF)



**Note:**  
Some sizes, styles and options are non-standard, non-returnable.

Due to technical progress, all designs, specifications and components are subject to change without notice.

[WWW.SAMTEC.COM](http://WWW.SAMTEC.COM)

All parts within this catalog are built to Samtec's specifications. Customer specific requirements must be approved by Samtec and identified in a Samtec customer-specific drawing to apply.