



## THREE- AND FOUR-CELL LITHIUM-ION OR LITHIUM-POLYMER BATTERY PROTECTION IC

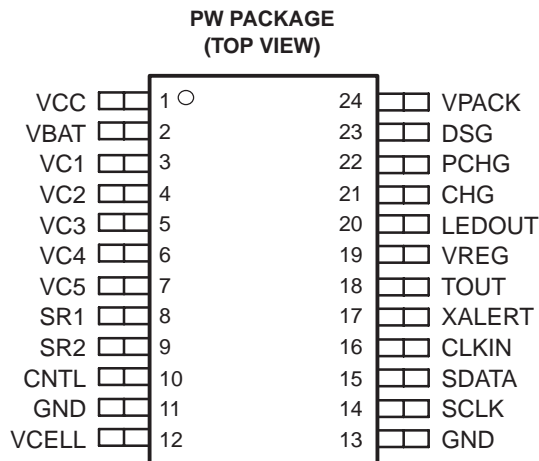
### FEATURES

- 3- or 4-Cell Series Protection Control
- Autonomous Overcurrent and Short Circuit Protection
- Provides Individual Cell Voltages to Battery Management Host
- Integrated Cell Balancing Control
- I<sup>2</sup>C Compatible User Interface Allows Access to Battery Information
- User Control to Initiate Protection
- Integrated 3.3-V 25-mA LDO
- Programmable Shutdown and Brownout Control
- Provides Drive for Three External FETs
- Low Supply Current of 140  $\mu$ A Typical
- Programmable Threshold and Delay for Short-Circuit Current Protection
- Provides Drive for Three External FETs
- Can Directly Interface With bq2083/5 for Complete Battery Management Solution

### APPLICATIONS

- Notebook Computer Battery Packs
- Test Equipment

### PIN ASSIGNMENTS



### DESCRIPTION

The bq29311 is a three- or four-cell lithium-ion battery pack protection analog front end (AFE) IC that incorporates a 3.3-V 25-mA low-dropout regulator (LDO) and an I<sup>2</sup>C compatible interface to extract battery parameters such as cell voltages and control output status. Other parameters, such as overcurrent protection threshold and delay, can also be programmed into the bq29311 to increase the flexibility of the battery management system.

The bq29311 provides safety protection in overcurrent, short circuit, overvoltage, and undervoltage conditions via control from the battery management host. In overcurrent and short-circuit conditions the bq29311 can directly activate the FET drive as a secondary protection level. The communications interface allows the host to control and observe the current status of the protection, to set overcurrent and overload levels, to set the overcurrent and overload blanking delay time, short-circuit threshold levels, and short-circuit blanking delay time, and to program for the VREG shutdown voltage and brownout-detection thresholds.

Each cell is balanced by a discharge path, which is enabled by the internal control registers accessible through the I<sup>2</sup>C compatible interface. The maximum current is set by an external series resistor with an absolute maximum value of 10 mA discharge current per cell.

### ORDERING INFORMATION

T <sub>A</sub>	PACKAGED TSSOP (PW)
-25°C to 85°C	bq29311PW
	bq29311PWR(1)

(1) R suffix indicates tape and reel.



Please be aware that an important notice concerning availability, standard warranty, and use in critical applications of Texas Instruments semiconductor products and disclaimers thereto appears at the end of this data sheet.

**bq29311**

SLUS487D – DECEMBER 2001 – REVISED NOVEMBER 2003



These devices have limited built-in ESD protection. The leads should be shorted together or the device placed in conductive foam during storage or handling to prevent electrostatic damage to the MOS gates.

**PACKAGE DISSIPATION RATINGS**

PACKAGE	$T_A \leq 25^\circ\text{C}$ POWER RATING	DERATING FACTOR ABOVE $T_A = 25^\circ\text{C}$	$T_A = 70^\circ\text{C}$ POWER RATING	$T_A = 85^\circ\text{C}$ POWER RATING
PW	874 mW	6.99 W/°C	559 mW	454 mW

**ABSOLUTE MAXIMUM RATINGS**

 over operating free-air temperature range unless otherwise noted<sup>(1)</sup>

		<b>bq29311</b>
Supply voltage range <sup>(2)</sup>	$V_{CC}$ , $V_{PACK}$	-0.3 V to 34 V
Input voltage range	$VC1$ , $VC2$ , $VC3$ , $VC4$ , $VBAT$	-0.3 V to 34 V
	$VC5$ , $SR1$ , $SR2$	-1 V to 1 V
	$VC1$ to $VC2$ , $VC2$ to $VC3$ , $VC3$ to $VC4$ , $VC4$ to $VC5$	-0.3 V to 8.5 V
	$CLK-IN$ , $SCLK$ , $SDATA$	-0.3 V to 7 V
	$CNTL$	-0.3 V to 34 V
Output voltage range	$DSG$ , $CHG$ , $PCHG$	-0.3 V to $V_{CC}$
	$LEDOUT$ , $TOUT$ , $SCLK$ , $SDATA$ , $VCELL$ , $XALERT$	-0.3 V to 7 V
Current for cell balancing		10 mA
Continuous total power dissipation		See Dissipation Rating Table
ESD rating <sup>(3)</sup>	HBM	1.5 kV
	CDM	250 V
	MM	50 V
Operating free-air temperature range, $T_A$		-25°C to 85°C
Storage temperature range, $T_{stg}$		-65°C to 150°C
Lead temperature (soldering, 10 s)		260°C

(1) Stresses beyond those listed under “absolute maximum ratings” may cause permanent damage to the device. These are stress ratings only, and functional operation of the device at these or any other conditions beyond those indicated under “recommended operating conditions” is not implied. Exposure to absolute-maximum-rated conditions for extended periods may affect device reliability.

(2) All voltages are with respect to ground of this device except  $VC_n-VC_{(n+1)}$ , where  $n = 1, 2, 3, 4$  cell voltage.

(3) Design considerations should be made with respect to excessive ESD.

**RECOMMENDED OPERATING CONDITIONS**

		MIN	NOM	MAX	UNIT
Supply voltage ( $V_{CC}$ or $V_{PACK}$ )				25	V
Input voltage range, $V_I$	$VBAT$	0		$V_{CC}$	V
	$VC1$ , $VC2$ , $VC3$ , $VC4$	0		$V_{CC}$	
	$SR1$ , $SR2$ , $VC5$	-0.5		0.5	
	$VC_n-VC_{(n+1)}$ , ( $n = 1, 2, 3, 4$ )	0		5	
	$CNTL$			$V_{REG}$	
Logic level input voltage	$V_{IH}$	$0.8 \times V_{REG}$		$V_{REG}$	V
	$V_{IL}$	0		$0.2 \times V_{REG}$	
Output current, $I_O$	$XALERT$			200	$\mu\text{A}$
	$SDATA$			50	
	$VCELL$			$\pm 10$	
Input current, $I_I$	$CNTL$	-0.5		1	$\mu\text{A}$
External 3.3-V $V_{REG}$ capacitor, $C_{(REG)}$	$V_{REG}$		1		$\mu\text{F}$
Operating ambient temperature range, $T_A$		-25		85	°C

**ELECTRICAL CHARACTERISTICS**
 $T_A = 25^\circ\text{C}$ ,  $C_{\text{REG}} = 1\ \mu\text{F}$ ,  $V_{\text{CC}} = 14\ \text{V}$  (unless otherwise noted)

SUPPLY CURRENT							
PARAMETER		TEST CONDITIONS		MIN	TYP	MAX	UNIT
$I_{\text{CC1}}$	Supply current 1	No load at VREG, TOUT, LEDOUT, XALERT, SCLK, SDATA. CLKIN not used	$T_A = 25^\circ\text{C}$	140	190	$\mu\text{A}$	
			$T_A = -25^\circ\text{C}$ to $85^\circ\text{C}$		220		
$I_{\text{CC2}}$	Supply current 2	$V_{\text{BAT}} \leq V_{\text{SD}}$ , $V_{\text{PACK}} = 0$ DSG, CHG and PCHG = off	$T_A = -25^\circ\text{C}$ to $85^\circ\text{C}$		1	$\mu\text{A}$	

**3.3 V REGULATOR**

3.3 V REGULATOR							
PARAMETER		TEST CONDITIONS		MIN	TYP	MAX	UNIT
$V_{\text{(REG)}}$	Regulator output voltage	$I_O \leq 25\ \text{mA}$ ,	$T_A = -25^\circ\text{C}$ to $85^\circ\text{C}$	3.135	3.3	3.465	V
$\Delta V_{\text{(REGTEMP)}}$	Regulator output change with temperature	$V_{\text{(SD)}} = 6.5\ \text{V} \leq V_{\text{CC}} \leq 25\ \text{V}$ , $I_O = 25\ \text{mA}$	$T_A = -25^\circ\text{C}$ to $25^\circ\text{C}$	$\pm 0.2\%$	$\pm 1.74\%$		
			$T_A = 25^\circ\text{C}$ to $85^\circ\text{C}$	$\pm 0.2\%$	$\pm 1.74\%$		
$\Delta V_{\text{(REGLINE)}}$	Line regulation	$V_{\text{(SD)}} = 6.5\ \text{V} \leq V_{\text{CC}} \leq 25\ \text{V}$ ,	$I_O = 25\ \text{mA}$		6	20	mV
$\Delta V_{\text{(REGLOAD)}}$	Load regulation	$0.1\ \text{mA} \leq I_O \leq 25\ \text{mA}$ ,	$V_{\text{CC}} = 14\ \text{V}$		2	20	mV

**SHUTDOWN  $V_I$  MONITOR**

SHUTDOWN $V_I$ MONITOR							
PARAMETER		TEST CONDITIONS		MIN	TYP	MAX	UNIT
$V_{\text{(SD)}}$	VREG shutdown threshold range <sup>(1)</sup>	Measured at VBAT		6.475		10.975	V
$\Delta V_{\text{(SD)}}$	Shutdown threshold steps	Set by SDV register b0 – b3			300		mV
$V_{\text{hys(SD)}}$	Hysteresis			35	50	65	mV
Accuracy of the shutdown threshold						$\pm 5\%$	

(1)  $V_{\text{(SD)}} = V_{\text{(REG)}}$  brownout threshold voltage as determined by b0 – b3 in the SDV register.

**BROWNOUT  $V_{\text{IN}}$  MONITOR**

BROWNOUT $V_{\text{IN}}$ MONITOR							
PARAMETER		TEST CONDITIONS		MIN	TYP	MAX	UNIT
$V_{\text{BO}}$	Brownout threshold range <sup>(1)</sup>	Measured at VBAT		7.975		12.475	V
$\Delta V_{\text{BO}}$	Brownout threshold steps	Set by SDV register b4 – b7			300		mV
$V_{\text{hys(BO)}}$	Hysteresis			35	50	65	
Brownout threshold accuracy						$\pm 5\%$	

(1)  $V_{\text{BO}} = V_{\text{(REG)}}$  brownout threshold voltage as determined by b4 – b7 in the SDV register.

**CELL VOLTAGE MONITOR**

CELL VOLTAGE MONITOR							
PARAMETER		TEST CONDITIONS		MIN	TYP	MAX	UNIT
$V_{\text{(CELL_OUT)}}$	VCELL output (see Note 4)	$V_{\text{(CELL_IN)}} = 0\ \text{V}$			0.975		V
		$V_{\text{(CELL_IN)}} = 4.5\ \text{V}$			0.3		
$V_{\text{(CELL_IN)}}$	Differential Input voltage range	VC1 to VC2, VC2 to VC3, VC3 to VC4, VC4 to VC5		0		4.5	V
K	VCELL scale factor	$[0.975 - V_{\text{(CELL_OUT)}}] / V_{\text{(CELL_IN)}}$		0.144	0.150	0.156	
R(BAL)	Cell balance internal resistance	RDS(ON) for internal FET switch at $V_{\text{(DS)}} = 2\ \text{V}$			500		$\Omega$

(1) The  $V_{\text{(CELL)}}$  output is inversely proportional to the  $V_{\text{(CELL_OUT)}} = -K \times V_{\text{(CELL_IN)}} + 0.975$ .

**bq29311**

SLUS487D – DECEMBER 2001 – REVISED NOVEMBER 2003

**ELECTRICAL CHARACTERISTICS CONTINUED**
 $T_A = 25^\circ\text{C}$ ,  $C_{REG} = 1\ \mu\text{F}$ ,  $V_{CC} = 14\ \text{V}$  (unless otherwise noted)

<b>OVERCURRENT (OC) AND SHORT CIRCUIT (SC) DETECTION</b>							
PARAMETER		TEST CONDITIONS	MIN	TYP	MAX	UNIT	
$V_{(OCD)}$	OC detection threshold range, typical(1)	Charge (overcurrent)	50		205	mV	
		Discharge (overload)	-50		-205		
$\Delta V_{(OCD)}$	OC detection threshold program step	Charge (overcurrent)		5		mV	
		Discharge (overload)		-5			
$V_{hys(OCD)}$	OC detection threshold hysteresis	Charge and discharge (overcurrent and overload)	7	10	13	mV	
$V_{(SC)}$	SC detection threshold range, typical(2)	Charge	100		475	mV	
		Discharge	-100		-475		
$\Delta V_{(SC)}$	SC detection threshold program step	Charge		25		mV	
		Discharge		-25			
$V_{hys(SC)}$	SC detection threshold hysteresis	Charge and discharge	40	50	60	mV	
$V_{(OCD\_acr)}$	OC detection threshold accuracy(1)	Charge and discharge	$V_{(OCD)} = 50\ \text{mV (min)}$	37.5	50	62.5	mV
			$V_{(OCD)} = 100\ \text{mV}$	85	100	115	
			$V_{(OCD)} = 205\ \text{mV (max)}$	174	205	236	
$V_{(SC\_acr)}$	SC detection threshold accuracy(2)	Charge and discharge	$V_{(SC)} = 100\ \text{mV (min)}$	75	100	125	mV
			$V_{(SC)} = 200\ \text{mV}$	170	200	230	
			$V_{(SC)} = 475\ \text{mV (max)}$	403	475	547	

(1) See OCVD and OCVC registers for setting detection threshold.

(2) See SCV register for setting detection threshold.

<b>FET DRIVE CIRCUIT</b>							
PARAMETER		TEST CONDITIONS	MIN	TYP	MAX	UNIT	
$V_{(FETOL)}$	Output voltage	$V_{BAT} = 16\ \text{V}$	DSG	1	5	7	V
		$V_{PACK} = 16\ \text{V}$	CHG	1	5	7	
		$V_{PACK} = 16\ \text{V}$	PCHG	8.5	10.5	11.5	
$V_{(FETCLAMP)}$	Output clamp voltage	$V_{PACK} = 4.5\ \text{V}$	PCHG	3.3	3.5	3.7	V
$t_r$	Rise time	$C_L = 4700\ \text{pF}$ , 10% to 90%	DSG		10	100	$\mu\text{s}$
			CHG		10	100	
			PCHG		170	500	
$t_f$	Fall time	$C_L = 4700\ \text{pF}$ , 90% to 10%	DSG		15	100	$\mu\text{s}$
			CHG		15	100	
			PCHG		170	500	

<b>THERMISTOR DRIVE AND LED DRIVE</b>						
PARAMETER		TEST CONDITIONS	MIN	TYP	MAX	UNIT
$R_{(t)}$	TOUT pass-element series resistance	$I_O = -1\ \text{mA}$ at TOUT pin, $R_{(t)} = (V_{REG} - V_{TOUT})/1\ \text{mA}$ , $T_A = -25^\circ\text{C}$ to $85^\circ\text{C}$		50	100	$\Omega$
$V_{(LEDOUT)}$	LEDOUT output voltage	$I_O = -25\ \text{mA}$ at LEDOUT pin, $T_A = -25^\circ\text{C}$ to $85^\circ\text{C}$	2.9	3.15	3.46	V

<b>LOGIC</b>							
PARAMETER		TEST CONDITIONS	MIN	TYP	MAX	UNIT	
$R_{(PUP)}$	Internal pullup resistance	XALERT, CLKIN	$T_A = -25^\circ\text{C}$ to $85^\circ\text{C}$	60	100	140	$\text{k}\Omega$
		SDATA, SCLK		6	10	14	
$V_{O(L)}$	Logic low-level output voltage	XALERT, $I_{OUT} = 200\ \mu\text{A}$				0.2	V
		SDATA, $I_{OUT} = 50\ \mu\text{A}$				0.4	

**ELECTRICAL CHARACTERISTICS CONTINUED**
 $T_A = 25^\circ\text{C}$ ,  $C_{REG} = 1\ \mu\text{F}$ ,  $V_{CC} = 14\ \text{V}$  (unless otherwise noted)

AC						
PARAMETER		TEST CONDITIONS	MIN	TYP	MAX	UNIT
$f(\text{CLKIN})$	CLKIN input frequency	External clock	32.100	32.768	33.420	kHz
$t(\text{CLKIN\_HI})$	CLKIN high time	External clock	2		28	$\mu\text{s}$
$f(\text{INTERNAL})$	Internal clock frequency	$T_A = -25^\circ\text{C}$ to $85^\circ\text{C}$	26.2	32.768	39.4	kHz
$t(\text{SCDELAY})$	SC delay time	$t_d(\text{SC}) = 0\ \text{ms}$ for charge and discharge $V(\text{OCD}) = 100\ \text{mV}$ , SR(50%) to DSG/CHG(50%) delay. No load.		1	10	$\mu\text{s}$

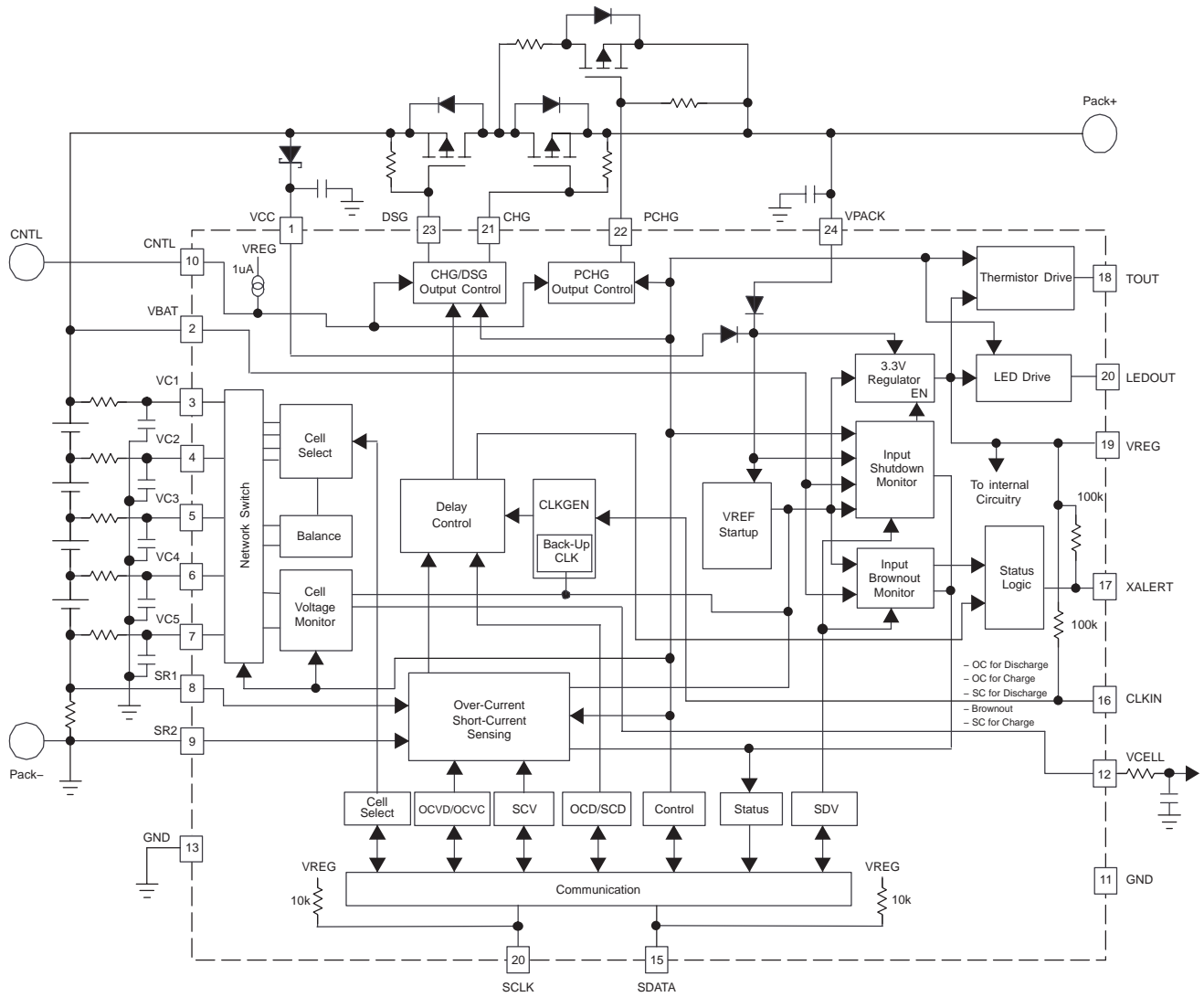
**Terminal Functions**

TERMINAL NAME	NO.	DESCRIPTION
CHG	21	Push-pull output charge FET gate voltage supply
CLKIN	16	Digital input that provides an alternate clock with internal 100-k $\Omega$ pullup to VREG
CNTL	10	Active low input enables CHG, DSG and PCHG. Internal pullup
DSG	23	Push-pull output discharge FET gate voltage supply
GND	11, 13	Analog ground pin and negative pack terminal
LEDOUT	20	Provides current to drive LED capacity display
PCHG	22	Push-pull output precharge FET gate voltage supply
SCLK	14	Open-drain bidirectional serial interface clock with internal 10-k $\Omega$ pullup to VREG
SDATA	15	Open-drain bidirectional serial interface data with internal 10-k $\Omega$ pullup to VREG
SR1	8	Current sense positive terminal when charging relative to SR2
SR2	9	Current sense positive terminal when discharging relative to SR1
TOUT	18	Provides thermistor bias current
VBAT	2	Battery positive terminal sense input for regulator shutdown
VC1	3	Sense voltage input terminal for most positive cell and balance current input for most positive cell. Connected to VC2 in 3-cell applications
VC2	4	Sense voltage input terminal for second most positive cell, balance current input for second most positive cell, and return balance current for most positive cell
VC3	5	Sense voltage input terminal for third most positive cell, balance current input for third most positive cell and return balance current for second most positive cell
VC4	6	Sense voltage input terminal for least positive cell, balance current input for least positive cell, and return balance current for third most positive cell
VC5	7	Sense voltage input terminal for most negative cell, return balance current for least positive cell
VCC	1	Diode protected BAT+ terminal and primary power source
VCELL	12	Output of scaled value of the measured cell voltage
VPACK	24	Pack positive terminal and alternate power source
VREG	19	Integrated 3.3-V regulator output
XALERT	17	Open-drain output used to indicate status register changes. With internal 100 k $\Omega$ pullup to VREG

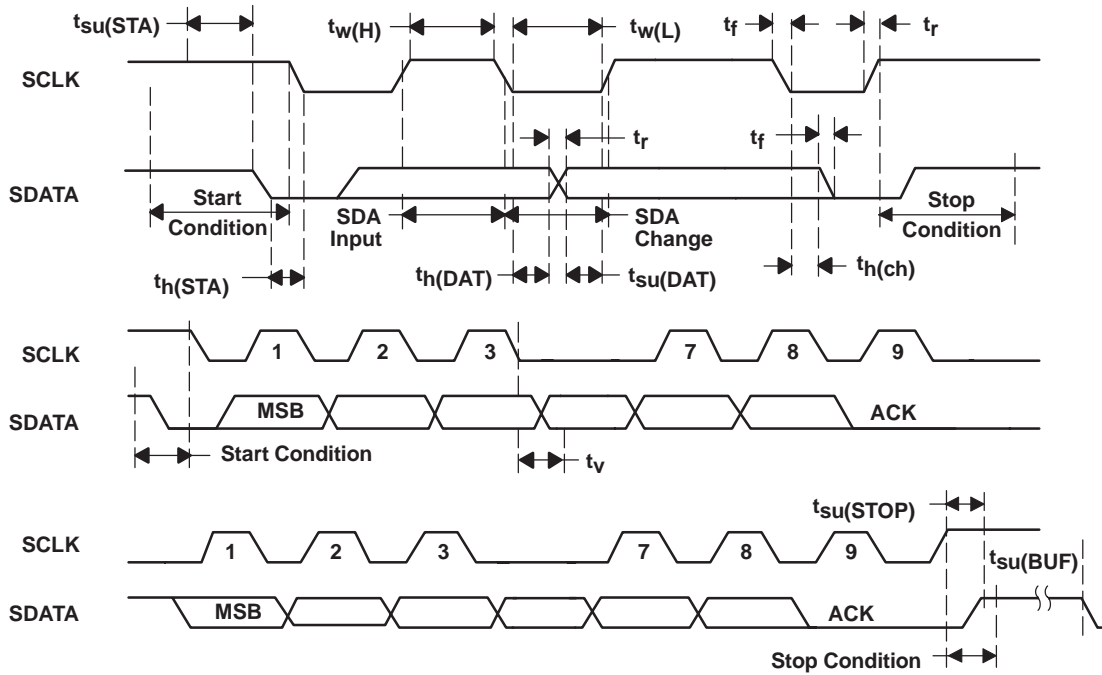
**bq29311**

SLUS487D – DECEMBER 2001 – REVISED NOVEMBER 2003

**FUNCTIONAL BLOCK DIAGRAM**



## AC TIMING SPECIFICATIONS (I<sup>2</sup>C COMPATIBLE SERIAL INTERFACE)

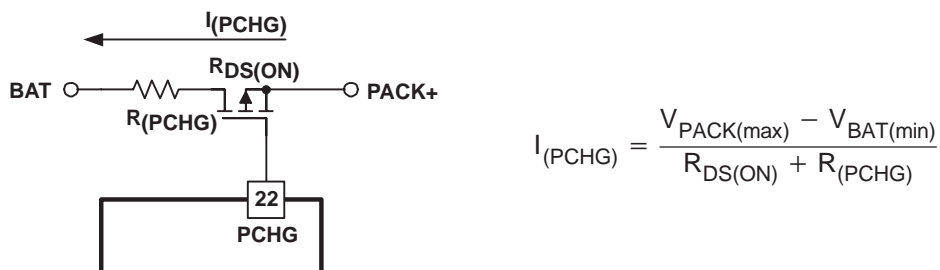


PARAMETER		MIN	MAX	UNIT
$t_r$	Clock rise time		300	ns
$t_f$	Clock fall time		300	ns
$t_r(\text{SDA})$	SDA rise time	20	300	ns
$t_f(\text{SDA})$	SDA fall time	20	300	ns
$t_{su}(\text{STA})$	Clock high to input transition setup time	600		ns
$t_w(\text{H})$	Clock pulse width high	600		ns
$t_h(\text{STA})$	Input low to clock low hold time start condition	600		ns
$t_h(\text{DAT})$	Clock low to input transition hold time	0		$\mu\text{s}$
$t_w(\text{L})$	Clock pulse width low	1.3		$\mu\text{s}$
$t_{su}(\text{DAT})$	Input transition to clock transition setup time	100		ns
$t_{su}(\text{STOP})$	Clock high to input high (STOP) setup time stop condition	600		ns
$t_{su}(\text{BUF})$	Input high to input low (bus free)	1.3		$\mu\text{s}$
$t_v$	Clock low to data out valid time	200	900	ns
$t_h(\text{CH})$	Data out hold time after clock low	200		ns
$f_{\text{CLK}}$	Clock frequency		100	kHz

APPLICATION INFORMATION

PRECHARGE MODE CURRENT LIMITING RESISTOR SELECTION

The selection of this resistor value should take into account the maximum potential charge voltage, which should include the voltage of a failed charger to ensure that 0-V and pre-charge mode current levels are within desirable limits under all conditions.

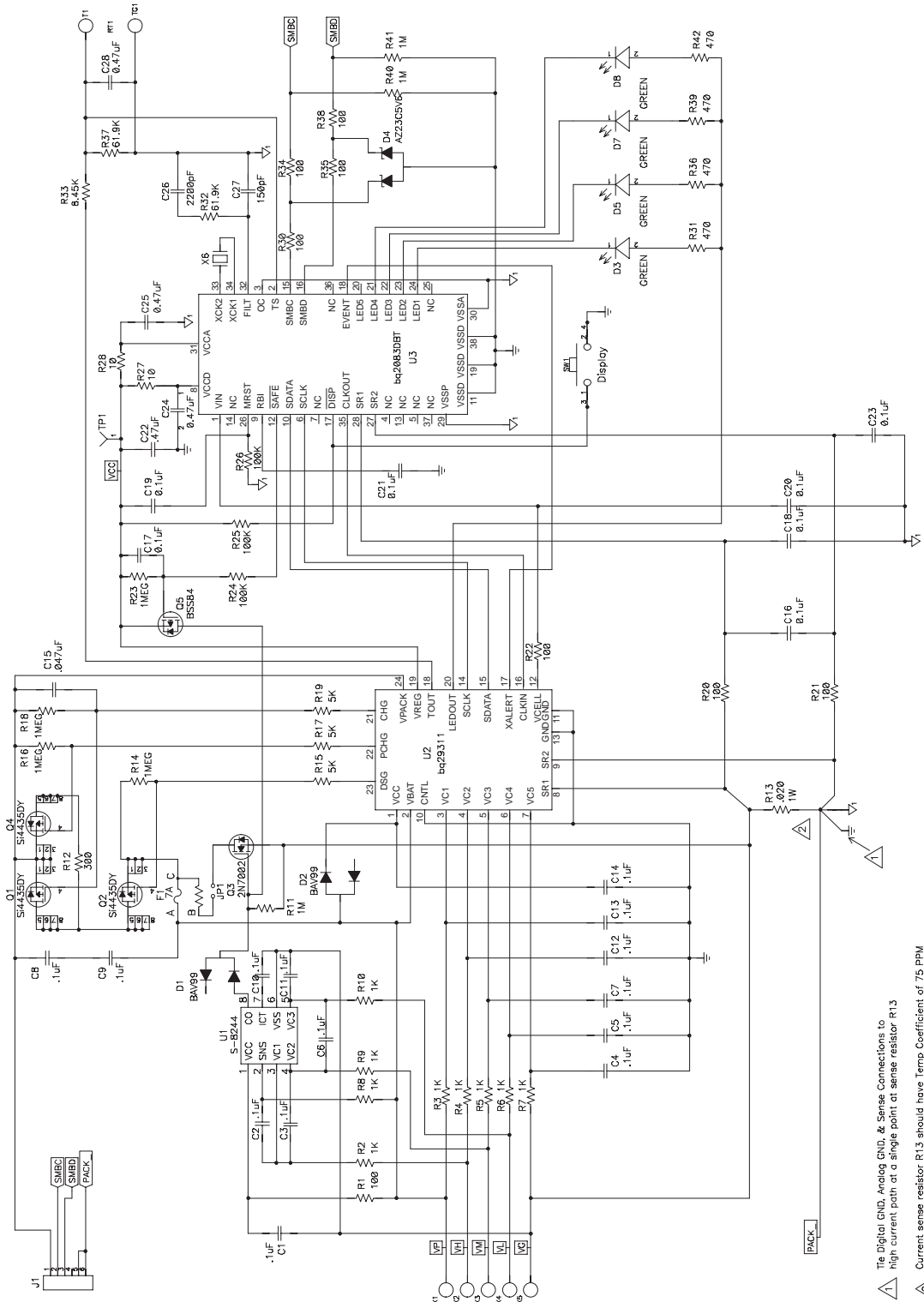


UDG-01148



Figure 1. Pre-Charge Mode Current Limiting Resistor Selection

This method ensures that the resistor is sized correctly to provide safe zero voltage charging and the optimal performance during precharge.





**Figure 2. bq29311 Application Circuit Example Including Battery Management Host Controller**

 Tie Digital GND, Analog GND, & Sense Connections to high current path at a single point at sense resistor R13  
 Current sense resistor R13 should have Temp Coefficient of 75 PPM or less.

## FUNCTIONAL DESCRIPTION

### INTEGRATED REGULATOR

The input for this regulator is derived from the battery cell stack or the pack positive terminal, with a valid range of  $V_{SD}$  to 25 V. These two source inputs are ORed internally. An external diode is required to protect uncontrolled charging. The output is typically 3.3 V  $\pm 5\%$  ( $T_A = -25^\circ\text{C}$  to  $85^\circ\text{C}$ ) with a maximum output current of 25 mA. The output capacitance for stable operation is typically 1  $\mu\text{F}$ . The output voltage line regulation is  $\pm 20$  mV (max) between  $V_{SD}$  and 25 V. The load regulation is  $\pm 20$  mV (max) over the current range of 0.1 mA to 25 mA.

The regulator output starts up only when VPACK reaches the valid input voltage. After this voltage is reached, the bios of the regulator is supplied through VBAT from the battery, even if VPACK voltage is removed.

### SHUTDOWN AND BROWNOUT

If the voltage at VBAT falls below 7.975 V  $\pm 5\%$  (default), the bq29311 sets the BRWO bit to 1 in STATUS (b4) and triggers the XALERT output. The value in the SDV register (b4–b7) determines the threshold value and this can be programmed from 7.975 V to 12.475 V in 0.3-V steps (with an accuracy of  $\pm 5\%$  at the falling edge) and has 50 mV  $\pm 30\%$  of hysteresis.

Reading the STATUS register clears XALERT in a brownout, but OCL (CONTROL, b0) must be taken from 0 to 1 to 0; then STATUS must be read, to clear the BRWO bit.

If the voltage at VBAT is below 6.475 V  $\pm 5\%$  (default) the regulator can be shut down. The value in the SDV register (b0–3) determines the threshold value, which can be programmed from 6.475 V to 10.975 V in 0.3-V steps with an accuracy of  $\pm 5\%$  at the falling edge and has 50 mV  $\pm 30\%$  of hysteresis.

When the input voltage is below the shutdown threshold and a higher voltage at VPACK is not present, then SHDN (STATUS, b5) is set and the bq29311 enters the sleep mode and turns off CHG, DSG, and PCHG. The current consumption in this mode is under 1  $\mu\text{A}$ . SHDN is cleared when the input voltage rises above the shutdown threshold. XALERT does not respond to shutdown.

### OVERCURRENT, OVERLOAD, AND SHORT-CIRCUIT DETECTION

The overcurrent, overload, and short-circuit detection is used to detect abnormal current in either the charge or discharge direction. This safety feature is used to protect the pass FETs, cells, and any other inline components from excessive current conditions. The detection circuit also incorporates a blanking delay before driving the control for the pass FETs to turn off.

The overcurrent, overload, and short-circuit thresholds are set in the OCVD/C and SCV registers with defaults of 50 mV and 100 mV respectively. The individual overcurrent (charge), and overload (discharge) thresholds can be programmed from 50 mV to 205 mV in 5-mV steps with a hysteresis of 10 mV  $\pm 30\%$ . The single short-circuit threshold can be programmed from 100 mV to 475 mV in 25-mV steps with a hysteresis of 50 mV  $\pm 20\%$ .

### OVERCURRENT, OVERLOAD AND SHORT-CIRCUIT DELAY

The overcurrent and overload delays allow the system to momentarily accept a high current condition. The default overcurrent delay is 1 ms. The delay time can be increased via the OCD register, where the overcurrent and overload delays can be independently defined. The OCD register can be programmed for a range of 1 ms to 31 ms with steps of 2 ms.

The short-circuit delay has a default value of 0 ms and is also programmable in the SCD register. This register can be programmed from 0 to 915  $\mu\text{s}$  with steps of 61  $\mu\text{s}$ .

### OVERCURRENT, OVERLOAD AND SHORT-CIRCUIT RESPONSE

When an overcurrent, overload, or short-circuit condition is detected, the CHG and DSG FETs are turned off and the PCHG FET turned on, limiting the charge current to the pre-charge rate. The STATUS (b0..b3) register reports the details of discharge short circuit, charge short circuit, overload (discharge overcurrent) and overcurrent. The respective STATUS (b0..b3) bits are set to 1 and the XALERT output changes state. This condition is latched until the CONTROL (b0) is set and then reset. If a FET is turned on by resetting CONTROL (b0) and the error condition is still on the system, then the device again enters the protection response state.

### CELL VOLTAGE

The cell voltage is translated to allow a system host to measure individual series elements of the battery.

The series element voltage is translated to a GND-based voltage equal to 0.15 of the series element voltage. This provides a range from 0 V to 4.5 V. The translation output is inversely proportional to the input.

$$V_{(\text{CELL\_OUT})} = -K \times V_{(\text{CELL\_IN})} + 0.975 \text{ (V)}$$

Programming CELL\_SEL (b0..b1) selects the individual series element. The CELL\_SEL (b2 . . . b3) selects the measurement mode for the series elements. This allows the offset to be determined for each element in the string.

## CALIBRATION OF CELL VOLTAGE MONITOR AMPLIFIER GAIN

The cell voltage monitor amplifier has an offset, which can be calibrated to increase accuracy.

The following procedure shows how to measure and calculate the offset:

- Set CAL2=0, CAL1=1, VM1=0, VM0=0  
The output voltage includes the offset and is represented by  
 $V_{OUT1} = 0.975 + (1 + K) \times V_{OS} \text{ (V)}$   
where K = VCELL scaling factor  
 $V_{OS}$  = offset voltage at input of the internal op-amp
- Set CAL2=1, CAL1=0, VM1=0, VM0=0  
The output voltage includes the scale factor error and offset and is represented by  
 $V_{OUT2} = 0.975 + (1 + K) \times V_{OS} - K \times 0.975 \text{ (V)}$
- Calculate  $(V_{OUT1} - V_{OUT2})/0.975$   
The result is the actual scaling factor,  $K_{ACT}$  and is represented by  
 $K_{ACT} = (V_{OUT1} - V_{OUT2})/0.975 = (0.975 + (1 + K) \times V_{OS}) - (0.975 + (1 + K) \times V_{OS} - K \times 0.975)/0.975$   
 $= K \times 0.975/0.975 = K$
- Calculate the actual offset value where  
 $V_{OS(ACT)} = (V_{OUT1} - 0.975)/(1 + K_{ACT})$
- Calibrated cell voltage is calculated by  
 $V_{Cn} - V_{C(n+1)} = [0.975 + (1 + K_{ACT}) \times V_{OS(ACT)} - V_{CELLOUT}]/K_{ACT}$

## CELL BALANCE CONTROL

The cell balance control allows a small discharge to be controlled for any one series element. The purpose of this discharge is to bring the series elements to the same voltage. Series resistors placed between the input pins and the positive series element nodes control the discharge current value.

Individual series element selection is made using CELL\_SEL (b4...b7). Cell balance discharge is also disabled if bits CELL\_SEL (b4...b7) are zero. When all CELL\_SEL (b4...b7) bits are set to 1, then all series elements are discharged.

## DSG AND CHG FET DRIVER CONTROL

The bq29311 drives the FET off if an OC or SC safety threshold is breached. The host can force any FET on or off only if the bq29311 integrated protection control allows. The DSG and CHG FET drive gate-to-drain voltage is clamped to 15 V (max) and 11 V (typ).

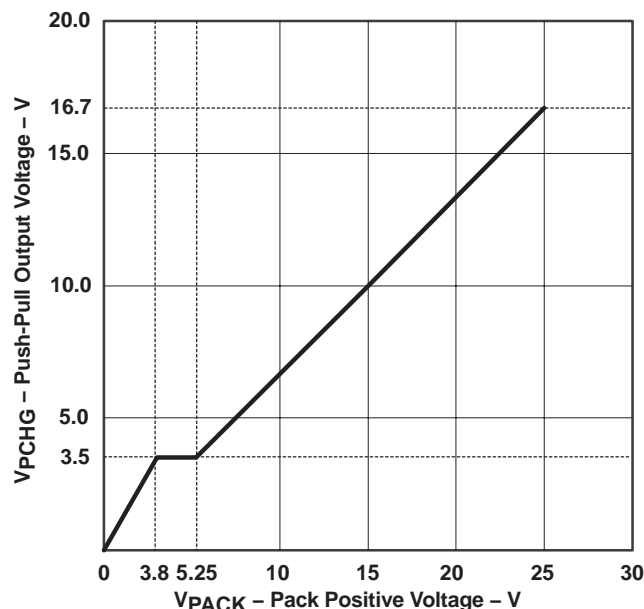
The default-state of the FET drive is off. A host can control the FET drive by programming CONTROL (b1...b2) where b1 is used to control the external discharge FET and b2 is used to control the external charge FET. These controls are valid only when shutdown is not active.

## PCHG FET DRIVER CONTROL

The PCHG FET is used when the battery is under voltage, allowing limited conditioning current modes such as pre-charge and 0 V charging. At startup of the bq29311 (charger connected to battery pack), PCHG is clamped to 3.5 V when VPACK is 3.8 V to 5.25 V. Thus the actual VPACK voltage is decided with this PCHG clamp voltage and the VGS(gate-source voltage) of external precharge FET. When VPACK is over 5.25 V, PCHG voltage would be controlled to two-thirds of VPACK.

The default state of PCHG is on. There are two methods to pull up PCHG to turn off precharge FET. One is through the control register via serial communication. Setting b3 in the control register to 1 turns off the precharge FET. Another method is to use CNTL. Floating CNTL or pulling CNTL up to VREG turns off the precharge FET and also the CHG and DSG FETs.

Overcurrent, overload, and short-circuit detection is not applied during precharge operations. An external resistor located in series with the external precharge FET limits the current flow for precharge operations.



**Figure 3. PCHG Drive Output vs. Pack Voltage (Design Simulation)**

# bq29311

SLUS487D – DECEMBER 2001 – REVISED NOVEMBER 2003

## THERMISTOR DRIVE CIRCUIT

The TOUT pin can be enabled to drive a thermistor from VREG. The typical thermistor resistance is 10 kΩ at 25°C. The default-state for this is OFF to conserve power. The maximum output impedance is 100 Ω. TOUT (b6 of the control register) enables or disables this function. TOUT (b6 of CONTROL register) enables or disables this feature.

## LED DRIVE CIRCUIT

The LED drive provides a current source from VREG. LEDEN (b5 of the control register) enables or disables this function.

## CONTROL INPUT (CNTL)

The control input is pulled up internally to VREG, which disables all the FET outputs. When CNTL is pulled to GND, the bq29311 control outputs are then controlled by safety and register control logic. An external pullup can be added to enable a pullup to a higher voltage. This could cause up to an extra 100 μA leakage through the CNTL input to GND.

## CLOCK INPUT (CLKIN)

The clock input allows for an external time base to be used for increased accuracy in delay timing when determining overcurrent and short-circuit holdoff. The standard frequency is 32.768 kHz but must be above 30 kHz. This input is pulled up via an internal 100-kΩ resistor.

Transitions of the CLKIN pin hold off the internal oscillator so if the external input stops oscillating, the internal oscillator starts and enables all the timing functions.

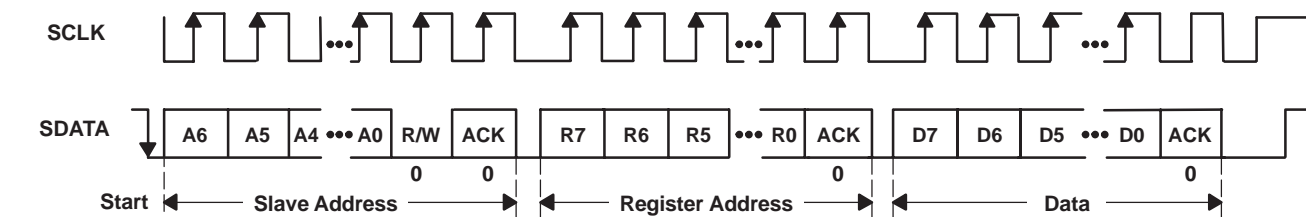
## COMMUNICATIONS

The I<sup>2</sup>C compatible serial communications provides read and write access to the bq29311 data area. The data is clocked via separate data (SDATA) and clock (SCLK) pins. The bq29311 acts as a slave device and does not generate clock pulses. Communication to the bq29311 can be provided from GPIO pins or an I<sup>2</sup>C supporting port of a host system controller. The slave address for the bq29311 is 7 bits and the value is 0100 000 (0x20).

ADDRESS (0X20)						
6	5	4	3	2	1	0
0	1	0	0	0	0	0

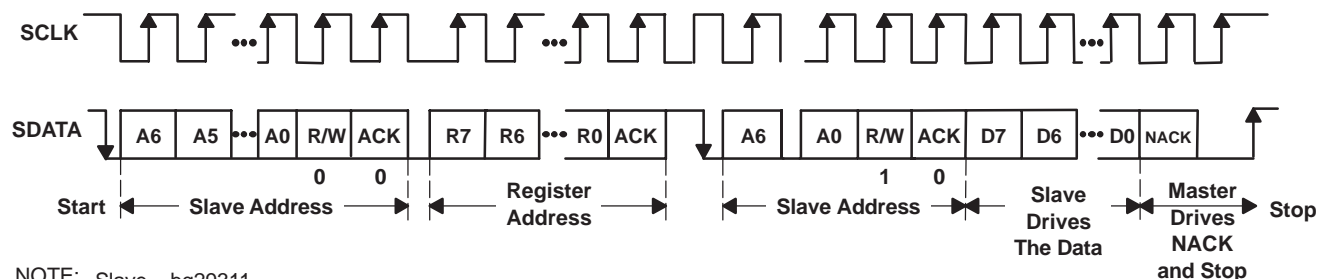
The bq29311 does not have the following functions compatible with the I<sup>2</sup>C specification.

- The bq29311 is always regarded as a slave.
- The bq29311 does not support the general code of the I<sup>2</sup>C specification and therefore does not return an ACK, but returns a NACK instead.
- The bq29311 does not support the address auto increment, which allows continuous reading and writing.
- The bq29311 allows data to be written or read from the same location without resending the location address.



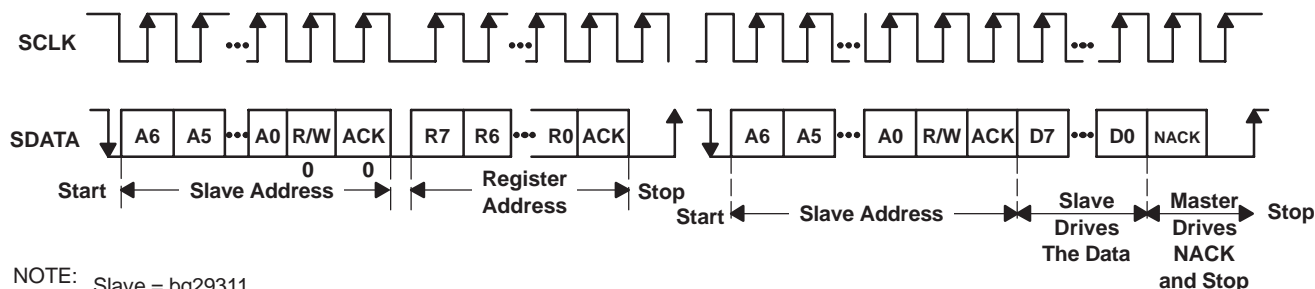
NOTE: Slave = bq29311

Figure 4. I<sup>2</sup>C-Bus Write to bq29311



NOTE: Slave = bq29311

Figure 5. I<sup>2</sup>C-Bus Read from bq29311: Protocol A



NOTE: Slave = bq29311

Figure 6. I<sup>2</sup>C-Bus Read from bq29311: Protocol B

## REGISTER MAP

The bq29311 has nine addressable registers. These registers provide status, control, and configuration information for the battery-protection system. All registers except for status are read/write. All registers are reset on power up of the bq29311.

NAME	ADDRESS	TYPE	DESCRIPTION
STATUS	0x00	R	bq29311 status
CONTROL	0x01	R/W	bq29311 control from system host
SDV	0x02	R/W	Brownout/shutdown threshold voltage
OCVD	0x03	R/W	Overcurrent threshold voltage for discharge (overload)
OCVC	0x04	R/W	Overcurrent threshold voltage for charge
OCD	0x05	R/W	Overcurrent and overload delay time
CELL_SELECT	0x06	R/W	Battery cell select for cell translation and balance discharge
SCV	0x07	R/W	Short-circuit threshold voltage for discharge and charge
SCD	0x08	R/W	Short-circuit delay time for discharge and charge

## STATUS register

STATUS REGISTER (0X00)							
7	6	5	4	3	2	1	0
-	-	SHDN	BRWO	OCCHG	OCDSG	SCCHG	SCDSG

The status register provides information about the current state of the bq29311. Reading the status register clears the XALERT pin after OCL (CONTROL, b0) has been cleared unless otherwise stated.

STATUS b0 (SCDSG): This bit indicates a short circuit in the discharge direction.

- 0 = below the short-circuit threshold in the discharge direction (default)
- 1 = greater than or equal to the short-circuit threshold in the discharge direction

STATUS b1 (SCCHG): This bit indicates a short-circuit in the charge direction.

- 0 = below the short-circuit threshold in the charge direction (default)
- 1 = greater than or equal to the short-circuit threshold in the charge direction

STATUS b2 (OCDSG): This bit indicates an overload condition.

- 0 = less than or equal to the overcurrent threshold in the discharge direction (default)
- 1 = greater than overcurrent threshold in the discharge direction

STATUS b3 (OCCHG): This bit indicates an overcurrent condition.

- 0 = less than or equal to the overcurrent threshold in the charge direction (default)
- 1 = greater than overcurrent threshold in the charge direction

STATUS b4 (BRWO): This bit indicates that the brownout voltage threshold has been reached.

- 0 = greater than the brownout threshold (default)
- 1 = less than or equal to the brownout threshold voltage

STATUS b5 (SHDN): This bit shows that the battery voltage has fallen below the shutdown threshold limit, indicating a shutdown condition.

- 0 = greater than the shutdown threshold voltage (default)
- 1 = less than or equal to the shutdown threshold voltage

# bq29311

SLUS487D – DECEMBER 2001 – REVISED NOVEMBER 2003

## CONTROL REGISTER

CONTROL REGISTER (0X01)							
7	6	5	4	3	2	1	0
SVDOFF	TOUT	LEDEN	VMOFF	PCHG	CHG	DSG	OCL

The CONTROL register controls the outputs of the bq29311 and can be used to clear certain states set by any OC, SC or brownout condition. The OCL latch must be cleared before the STATUS register is read to clear the register.

**CONTROL b0 (OCL):** This bit releases the overcurrent latch when toggled from 0 to 1 back to 0 (default = 0) after the latch has been set by any OC or SC condition.

**CONTROL b1 (DSG):** This bit controls the external discharge FET.

- 0 = discharge FET is off and is controlled by the system host (default)
- 1 = discharge FET is on and the bq29311 is in normal operating mode

**CONTROL b2 (CHG):** This bit controls the external charge FET.

- 0 = charge FET is off and is controlled by the system host (default)
- 1 = charge FET is on and the bq29311 is in normal operating mode.

**CONTROL b3 (PCHG):** This bit controls the external precharge FET.

- 0 = precharge FET is on and controlled by the system host for enabling a charge path prior to turning on the charge FET (default)
- 1 = precharge FET is off.

**CONTROL b4 (VMOFF):** This bit enables or disables the voltage monitoring translation function and cell balance discharge.

- 0 = enables voltage monitoring (default)
- 1 = disables voltage monitoring

**CONTROL b5 (LEDEN):** This bit enables or disables the LED driver function

- 0 = disables LED drive function (default)
- 1 = enables LED drive function

**CONTROL b6 (TOUT):** This bit controls the  $V_{CC}$  power to the thermistor.

- 0 = thermistor power is off (default)
- 1 = thermistor power is on

**CONTROL b7 (SDVOFF):** This bit enables or disables the shutdown monitor function.

- 0 = shutdown monitor enabled (default)
- 1 = shutdown monitor disabled

**SDV: SHUTDOWN VOLTAGE**

SDV REGISTER (0X02)							
7	6	5	4	3	2	1	0
BOV3	BOV2	BOV1	BOV0	SDV3	SDV2	SVD1	SDV0

The SDV register is used to configure the regulator shutdown and brownout thresholds. 00000000 is the default.

**SDV b3...b0 With Corresponding Threshold**

0000	6.475 V	0100	7.675 V	1000	8.875 V	1100	10.075 V
0001	6.775 V	0101	7.975 V	1001	9.175 V	1101	10.375 V
0010	7.075 V	0110	8.275 V	1010	9.475 V	1110	10.675 V
0011	7.375 V	0111	8.575 V	1011	9.775 V	1111	10.975 V

**SDV b7...b4 With Corresponding Threshold**

0000	7.975 V	0100	9.175 V	1000	10.375 V	1100	11.575 V
0001	8.275 V	0101	9.475 V	1001	10.675 V	1101	11.875 V
0010	8.575 V	0110	9.775 V	1010	10.975 V	1110	12.175 V
0011	8.875 V	0111	10.075 V	1011	11.275 V	1111	12.475 V

**OCVD: OVERCURRENT (OVERLOAD) VOLTAGE THRESHOLD IN DISCHARGE**

OCVD REGISTER (0X03)							
7	6	5	4	3	2	1	0
–	–	–	OCVD4	OCVD3	OCVD2	OCVD1	OCVD0

OCVD b0–b4 (OCVD0–OCVD4): These five bits select the value of the overcurrent threshold in the discharge direction. 00000 is the default.

**OCVD b4...b0 With Corresponding Threshold**

00000	0.050 V	01000	0.090 V	10000	0.130 V	11000	0.170 V
00001	0.055 V	01001	0.095 V	10001	0.135 V	11001	0.175 V
00010	0.060 V	01010	0.100 V	10010	0.140 V	11010	0.180 V
00011	0.065 V	01011	0.105 V	10011	0.145 V	11011	0.185 V
00100	0.070 V	01100	0.110 V	10100	0.150 V	11100	0.190 V
00101	0.075 V	01101	0.115 V	10101	0.155 V	11101	0.195 V
00110	0.080 V	01110	0.120 V	10110	0.160 V	11110	0.200 V
00111	0.085 V	01111	0.125 V	10111	0.165 V	11111	0.205 V

**OCVC: OVERCURRENT VOLTAGE THRESHOLD REGISTER**

OCVC REGISTER (0X04)							
7	6	5	4	3	2	1	0
–	–	–	OCVC4	OCVC3	OCVC2	OCVC1	OCVC0

OCVC b0–b4 (OCVC0–OCVC4): These five bits select the value of the overcurrent threshold in the charge direction. 00000 is the default.

**OCVC b4...b0 With Corresponding Threshold**

00000	0.050 V	01000	0.090 V	10000	0.130 V	11000	0.170 V
00001	0.055 V	01001	0.095 V	10001	0.135 V	11001	0.175 V
00010	0.060 V	01010	0.100 V	10010	0.140 V	11010	0.180 V
00011	0.065 V	01011	0.105 V	10011	0.145 V	11011	0.185 V
00100	0.070 V	01100	0.110 V	10100	0.150 V	11100	0.190 V
00101	0.075 V	01101	0.115 V	10101	0.155 V	11101	0.195 V
00110	0.080 V	01110	0.120 V	10110	0.160 V	11110	0.200 V
00111	0.085 V	01111	0.125 V	10111	0.165 V	11111	0.205 V

**bq29311**

SLUS487D – DECEMBER 2001 – REVISED NOVEMBER 2003

**OCD: OVERCURRENT/OVERLOAD BLANKING DELAY**

OCD REGISTER (0X05)							
7	6	5	4	3	2	1	0
OCDC3	OCDC2	OCDC1	OCDC0	OCDD3	OCDD2	OCDD1	OCDD0

This register is used to set the overcurrent and overload delay times.

OCD b0–b3 (OCDD0–OCDD3): These four bits select the value of the delay time for overcurrent triggering in the discharge direction. 0000 is the default.

**OCD b3...b0 With Corresponding Delay Time**

0000	1 ms	0100	9 ms	1000	17 ms	1100	25 ms
0001	3 ms	0101	11 ms	1001	19 ms	1101	27 ms
0010	5 ms	0110	13 ms	1010	21 ms	1110	29 ms
0011	7 ms	0111	15 ms	1011	23 ms	1111	31 ms

OCD b4–b7 (OCDC0–OCDC3): These four bits select the value of the delay time for overcurrent triggering in the charge direction. 0000 is the default.

**OCD b7...b4 With Corresponding Delay Time**

0000	1 ms	0100	9 ms	1000	17 ms	1100	25 ms
0001	3 ms	0101	11 ms	1001	19 ms	1101	27 ms
0010	5 ms	0110	13 ms	1010	21 ms	1110	29 ms
0011	7 ms	0111	15 ms	1011	23 ms	1111	31 ms

**SCV: SHORT-CIRCUIT THRESHOLD VOLTAGE**

SCV REGISTER (0X07)							
7	6	5	4	3	2	1	0
–	–	–	–	SCV3	SCV2	SCV1	SCV0

This register selects the common short-circuit threshold voltage for both charge and discharge.

SCV b0–b3 (SCV0–SCV3): These four bits select the value of the short-circuit voltage threshold for both charge and discharge. 0000 is the default.

**SCV b0...b3 With Corresponding Threshold Voltage**

0000	0.10V	0100	0.20V	1000	0.30V	1100	0.40V
0001	0.125V	0101	0.225V	1001	0.325V	1101	0.425V
0010	0.150V	0110	0.250V	1010	0.350V	1110	0.450V
0011	0.175V	0111	0.275V	1011	0.375V	1111	0.475V

**SCD: SHORT-CIRCUIT BLANKING DELAY**

SCD REGISTER (0X08)							
7	6	5	4	3	2	1	0
SCDC3	SCDC2	SCDC1	SCDC0	SCDD3	SCDD2	SCDD1	SCDD0

This register selects the short-circuit blanking delay time for charge and discharge.

SCD b0–b3 (SCDD0–SCDD3): These four bits select the value of the short-circuit delay time for discharge. Exceeding the short-circuit voltage threshold for longer than this period turns off the DSG output. 0000 is the default.

**SCD b3...b0 With Corresponding Delay Time**

0000	0 $\mu$ s	0100	244 $\mu$ s	1000	488 $\mu$ s	1100	732 $\mu$ s
0001	61 $\mu$ s	0101	305 $\mu$ s	1001	549 $\mu$ s	1101	793 $\mu$ s
0010	122 $\mu$ s	0110	366 $\mu$ s	1010	610 $\mu$ s	1110	854 $\mu$ s
0011	183 $\mu$ s	0111	427 $\mu$ s	1011	671 $\mu$ s	1111	915 $\mu$ s

SCD b4–b7 (SCDC0–SCDC3): These four bits select the value of the short-circuit delay time for charge. Exceeding the short-circuit voltage threshold for longer than this period turns off the CHG output.



**SCD b7...b4 With Corresponding Delay Time**

0000	0 $\mu$ s	0100	244 $\mu$ s	1000	488 $\mu$ s	1100	732 $\mu$ s
0001	61 $\mu$ s	0101	305 $\mu$ s	1001	549 $\mu$ s	1101	793 $\mu$ s
0010	122 $\mu$ s	0110	366 $\mu$ s	1010	610 $\mu$ s	1110	854 $\mu$ s
0011	183 $\mu$ s	0111	427 $\mu$ s	1011	671 $\mu$ s	1111	915 $\mu$ s

**CELL\_SELECT: CELL SELECTION**

CELL_SELECT REGISTER (0X06)							
7	6	5	4	3	2	1	0
CELL4	CELL3	CELL2	CELL1	CAL1	CAL0	VM1	VM0

This register determines cell selection for voltage measurement and translation, cell balancing and the operational mode of the cell voltage monitoring.

**CELL\_SELECT b0–b1 (VM0–VM1)**

These two bits select the series cell for voltage measurement translation.

VM1	VM0	SELECTED CELL
0	0	Bottom series element (default)
0	1	Second lowest series element
1	0	Second highest series element
1	1	Top series element

CELL\_SELECT b2–b3 (CAL0, CAL1): These bits determine the mode of the voltage monitor block.

CAL1	CAL0	MEASUREMENT MODE
0	0	Cell translation for selected cell (default)
0	1	Offset measurement for selected cell
1	x	Monitor the $V_{REF}$ value for gain calibration

CELL\_SELECT b3–b6 (CELL1–CELL4): These four bits select the series cell for cell balance discharge. Cell balance discharge is disabled if bits b4...b7 are set to zero (default), and all cells are discharged if bits b4...b7 are set to 1.

- CELL1 =1 = bottom series element
- CELL2 =1 = second lowest series element
- CELL3 =1 = second highest series element
- CELL4 =1 = top series element

Figure 2 shows a typical application for the bq29311 smart lithium-ion battery protector. All functions required to protect three- or four-series lithium-ion cells from overcharge and over-discharge, as well as provide short-circuit protection, are included in a single chip.

An R-C filter is recommended at the VCELL pin where  $R_{(VCELL)} = 100 \Omega$  (typ) and  $C_{(VCELL)} = 100$  nF (typ)

**CELL CONNECTION ORDER**

The cells should be connected in the following order: Bat– to VC5, Bat+ to VC1, top of bottom cell to VC4, top of second cell to VC3 and top of third cell to VC2.

**3 OR 4 CELL CONFIGURATION**

The 4-series cell configuration is shown in Figure 1. In a 3-cell configuration, VC1 is shorted to VC2, and R3 and C13 are removed. VC2, VC3, VC4, and VC5 pins are used for three cells.

**PACKAGING INFORMATION**

Orderable Device	Status <sup>(1)</sup>	Package Type	Package Drawing	Pins	Package Qty	Eco Plan <sup>(2)</sup>	Lead/Ball Finish	MSL Peak Temp <sup>(3)</sup>
BQ29311PW	ACTIVE	TSSOP	PW	24	60	Green (RoHS & no Sb/Br)	CU NIPDAU	Level-1-260C-UNLIM
BQ29311PWG4	ACTIVE	TSSOP	PW	24	60	Green (RoHS & no Sb/Br)	CU NIPDAU	Level-1-260C-UNLIM
BQ29311PWR	ACTIVE	TSSOP	PW	24	2000	Green (RoHS & no Sb/Br)	CU NIPDAU	Level-1-260C-UNLIM
BQ29311PWRG4	ACTIVE	TSSOP	PW	24	2000	Green (RoHS & no Sb/Br)	CU NIPDAU	Level-1-260C-UNLIM

<sup>(1)</sup> The marketing status values are defined as follows:

**ACTIVE:** Product device recommended for new designs.

**LIFEBUY:** TI has announced that the device will be discontinued, and a lifetime-buy period is in effect.

**NRND:** Not recommended for new designs. Device is in production to support existing customers, but TI does not recommend using this part in a new design.

**PREVIEW:** Device has been announced but is not in production. Samples may or may not be available.

**OBSOLETE:** TI has discontinued the production of the device.

<sup>(2)</sup> Eco Plan - The planned eco-friendly classification: Pb-Free (RoHS), Pb-Free (RoHS Exempt), or Green (RoHS & no Sb/Br) - please check <http://www.ti.com/productcontent> for the latest availability information and additional product content details.

**TBD:** The Pb-Free/Green conversion plan has not been defined.

**Pb-Free (RoHS):** TI's terms "Lead-Free" or "Pb-Free" mean semiconductor products that are compatible with the current RoHS requirements for all 6 substances, including the requirement that lead not exceed 0.1% by weight in homogeneous materials. Where designed to be soldered at high temperatures, TI Pb-Free products are suitable for use in specified lead-free processes.

**Pb-Free (RoHS Exempt):** This component has a RoHS exemption for either 1) lead-based flip-chip solder bumps used between the die and package, or 2) lead-based die adhesive used between the die and leadframe. The component is otherwise considered Pb-Free (RoHS compatible) as defined above.

**Green (RoHS & no Sb/Br):** TI defines "Green" to mean Pb-Free (RoHS compatible), and free of Bromine (Br) and Antimony (Sb) based flame retardants (Br or Sb do not exceed 0.1% by weight in homogeneous material)

<sup>(3)</sup> MSL, Peak Temp. -- The Moisture Sensitivity Level rating according to the JEDEC industry standard classifications, and peak solder temperature.

**Important Information and Disclaimer:**The information provided on this page represents TI's knowledge and belief as of the date that it is provided. TI bases its knowledge and belief on information provided by third parties, and makes no representation or warranty as to the accuracy of such information. Efforts are underway to better integrate information from third parties. TI has taken and continues to take reasonable steps to provide representative and accurate information but may not have conducted destructive testing or chemical analysis on incoming materials and chemicals. TI and TI suppliers consider certain information to be proprietary, and thus CAS numbers and other limited information may not be available for release.

In no event shall TI's liability arising out of such information exceed the total purchase price of the TI part(s) at issue in this document sold by TI to Customer on an annual basis.

**TAPE AND REEL INFORMATION**
**REEL DIMENSIONS**

**TAPE DIMENSIONS**


A0	Dimension designed to accommodate the component width
B0	Dimension designed to accommodate the component length
K0	Dimension designed to accommodate the component thickness
W	Overall width of the carrier tape
P1	Pitch between successive cavity centers

**TAPE AND REEL INFORMATION**

\*All dimensions are nominal

Device	Package Type	Package Drawing	Pins	SPQ	Reel Diameter (mm)	Reel Width W1 (mm)	A0 (mm)	B0 (mm)	K0 (mm)	P1 (mm)	W (mm)	Pin1 Quadrant
BQ29311PWR	TSSOP	PW	24	2000	330.0	16.4	6.95	8.3	1.6	8.0	16.0	Q1

TAPE AND REEL BOX DIMENSIONS



\*All dimensions are nominal

Device	Package Type	Package Drawing	Pins	SPQ	Length (mm)	Width (mm)	Height (mm)
BQ29311PWR	TSSOP	PW	24	2000	367.0	367.0	38.0

PW (R-PDSO-G24)

PLASTIC SMALL OUTLINE

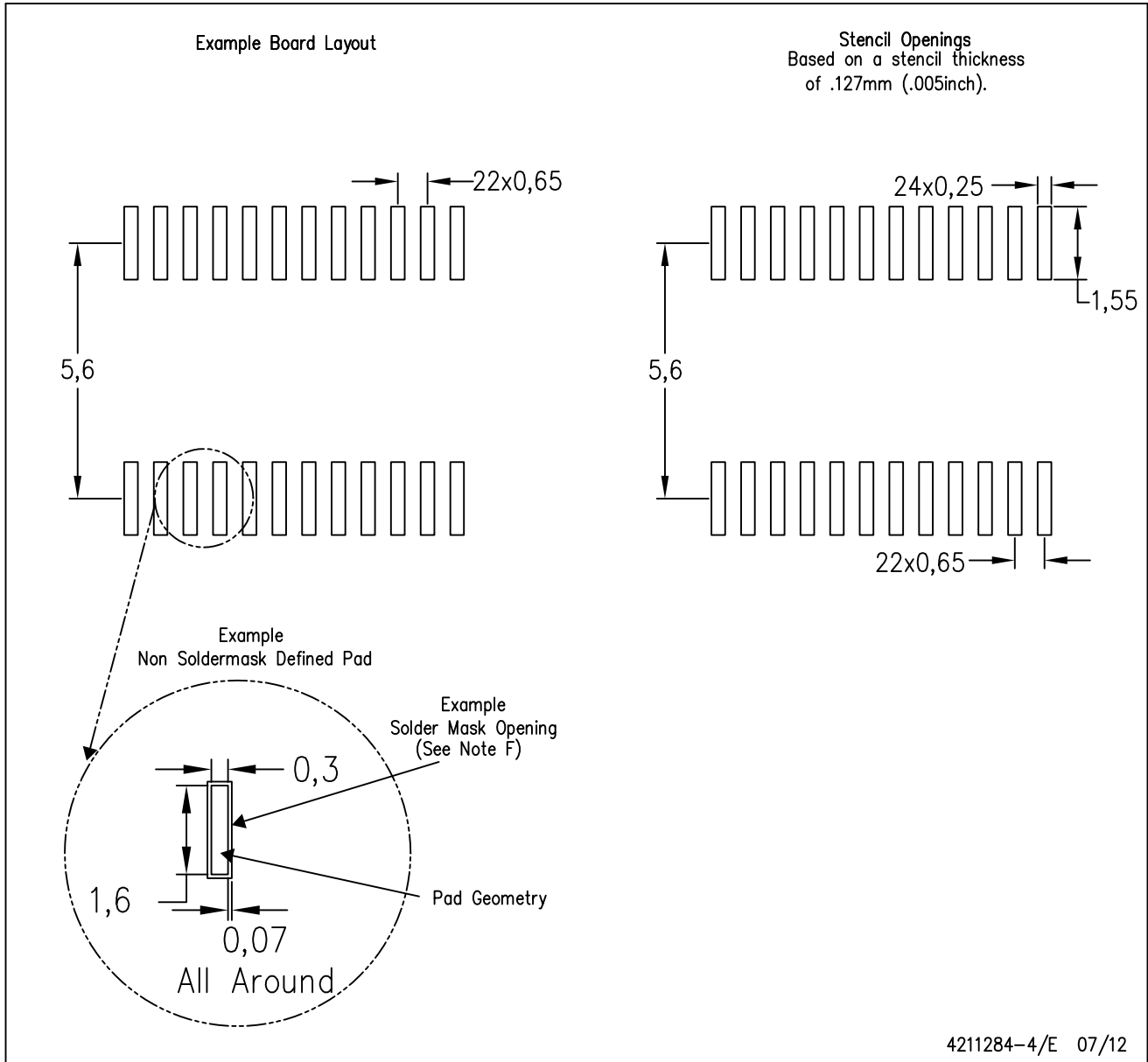


4040064-6/G 02/11

- NOTES:
- A. All linear dimensions are in millimeters. Dimensioning and tolerancing per ASME Y14.5M-1994.
  - B. This drawing is subject to change without notice.
  - C. Body length does not include mold flash, protrusions, or gate burrs. Mold flash, protrusions, or gate burrs shall not exceed 0,15 each side.
  - D. Body width does not include interlead flash. Interlead flash shall not exceed 0,25 each side.
  - E. Falls within JEDEC MO-153

PW (R-PDSO-G24)

PLASTIC SMALL OUTLINE



- NOTES:
- A. All linear dimensions are in millimeters.
  - B. This drawing is subject to change without notice.
  - C. Publication IPC-7351 is recommended for alternate design.
  - D. Laser cutting apertures with trapezoidal walls and also rounding corners will offer better paste release. Customers should contact their board assembly site for stencil design recommendations. Refer to IPC-7525 for other stencil recommendations.
  - E. Customers should contact their board fabrication site for solder mask tolerances between and around signal pads.

## IMPORTANT NOTICE

Texas Instruments Incorporated and its subsidiaries (TI) reserve the right to make corrections, enhancements, improvements and other changes to its semiconductor products and services per JESD46C and to discontinue any product or service per JESD48B. Buyers should obtain the latest relevant information before placing orders and should verify that such information is current and complete. All semiconductor products (also referred to herein as "components") are sold subject to TI's terms and conditions of sale supplied at the time of order acknowledgment.

TI warrants performance of its components to the specifications applicable at the time of sale, in accordance with the warranty in TI's terms and conditions of sale of semiconductor products. Testing and other quality control techniques are used to the extent TI deems necessary to support this warranty. Except where mandated by applicable law, testing of all parameters of each component is not necessarily performed.

TI assumes no liability for applications assistance or the design of Buyers' products. Buyers are responsible for their products and applications using TI components. To minimize the risks associated with Buyers' products and applications, Buyers should provide adequate design and operating safeguards.

TI does not warrant or represent that any license, either express or implied, is granted under any patent right, copyright, mask work right, or other intellectual property right relating to any combination, machine, or process in which TI components or services are used. Information published by TI regarding third-party products or services does not constitute a license to use such products or services or a warranty or endorsement thereof. Use of such information may require a license from a third party under the patents or other intellectual property of the third party, or a license from TI under the patents or other intellectual property of TI.

Reproduction of significant portions of TI information in TI data books or data sheets is permissible only if reproduction is without alteration and is accompanied by all associated warranties, conditions, limitations, and notices. TI is not responsible or liable for such altered documentation. Information of third parties may be subject to additional restrictions.

Resale of TI components or services with statements different from or beyond the parameters stated by TI for that component or service voids all express and any implied warranties for the associated TI component or service and is an unfair and deceptive business practice. TI is not responsible or liable for any such statements.

Buyer acknowledges and agrees that it is solely responsible for compliance with all legal, regulatory and safety-related requirements concerning its products, and any use of TI components in its applications, notwithstanding any applications-related information or support that may be provided by TI. Buyer represents and agrees that it has all the necessary expertise to create and implement safeguards which anticipate dangerous consequences of failures, monitor failures and their consequences, lessen the likelihood of failures that might cause harm and take appropriate remedial actions. Buyer will fully indemnify TI and its representatives against any damages arising out of the use of any TI components in safety-critical applications.

In some cases, TI components may be promoted specifically to facilitate safety-related applications. With such components, TI's goal is to help enable customers to design and create their own end-product solutions that meet applicable functional safety standards and requirements. Nonetheless, such components are subject to these terms.

No TI components are authorized for use in FDA Class III (or similar life-critical medical equipment) unless authorized officers of the parties have executed a special agreement specifically governing such use.

Only those TI components which TI has specifically designated as military grade or "enhanced plastic" are designed and intended for use in military/aerospace applications or environments. Buyer acknowledges and agrees that any military or aerospace use of TI components which have **not** been so designated is solely at the Buyer's risk, and that Buyer is solely responsible for compliance with all legal and regulatory requirements in connection with such use.

TI has specifically designated certain components which meet ISO/TS16949 requirements, mainly for automotive use. Components which have not been so designated are neither designed nor intended for automotive use; and TI will not be responsible for any failure of such components to meet such requirements.

### Products

Audio	<a href="http://www.ti.com/audio">www.ti.com/audio</a>
Amplifiers	<a href="http://amplifier.ti.com">amplifier.ti.com</a>
Data Converters	<a href="http://dataconverter.ti.com">dataconverter.ti.com</a>
DLP® Products	<a href="http://www.dlp.com">www.dlp.com</a>
DSP	<a href="http://dsp.ti.com">dsp.ti.com</a>
Clocks and Timers	<a href="http://www.ti.com/clocks">www.ti.com/clocks</a>
Interface	<a href="http://interface.ti.com">interface.ti.com</a>
Logic	<a href="http://logic.ti.com">logic.ti.com</a>
Power Mgmt	<a href="http://power.ti.com">power.ti.com</a>
Microcontrollers	<a href="http://microcontroller.ti.com">microcontroller.ti.com</a>
RFID	<a href="http://www.ti-rfid.com">www.ti-rfid.com</a>
OMAP Mobile Processors	<a href="http://www.ti.com/omap">www.ti.com/omap</a>
Wireless Connectivity	<a href="http://www.ti.com/wirelessconnectivity">www.ti.com/wirelessconnectivity</a>

### Applications

Automotive and Transportation	<a href="http://www.ti.com/automotive">www.ti.com/automotive</a>
Communications and Telecom	<a href="http://www.ti.com/communications">www.ti.com/communications</a>
Computers and Peripherals	<a href="http://www.ti.com/computers">www.ti.com/computers</a>
Consumer Electronics	<a href="http://www.ti.com/consumer-apps">www.ti.com/consumer-apps</a>
Energy and Lighting	<a href="http://www.ti.com/energy">www.ti.com/energy</a>
Industrial	<a href="http://www.ti.com/industrial">www.ti.com/industrial</a>
Medical	<a href="http://www.ti.com/medical">www.ti.com/medical</a>
Security	<a href="http://www.ti.com/security">www.ti.com/security</a>
Space, Avionics and Defense	<a href="http://www.ti.com/space-avionics-defense">www.ti.com/space-avionics-defense</a>
Video and Imaging	<a href="http://www.ti.com/video">www.ti.com/video</a>

**TI E2E Community** [e2e.ti.com](http://e2e.ti.com)