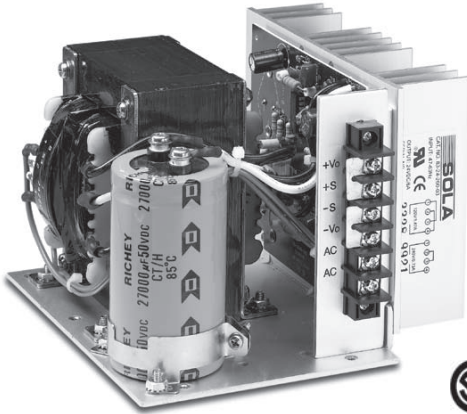


## Linear OEM – Single Output



### Features

- Low noise output
- 115/230 VAC input
- Remote sensing
- Designed for both bench and rack use
- Completely protected short circuit proof; automatic foldback.
- Current limiting – automatic reset
- Isolated floating output
- UL Recognized, CSA Certified
- Built-in OVP on 5 Volt models
- Terminal block on Case D models (24 V/6 A)
- One year warranty

### Selection Table

Catalog Number	Output 1	Case
83-05-230-3	5 V @ 3.0 A	B
83-12-218-3	12 V @ 1.8 A	B
83-24-212-3	24 V @ 1.2 A	B
83-05-260-3	5 V @ 6 A	C
83-12-250-3	12 V @ 5 A	C
83-24-225-3	24 V @ 2.5 A	C
83-05-312-3	5 V @ 12 A	D
83-12-310-3	12 V @ 10 A	D
83-24-260-3	24 V @ 6 A	D

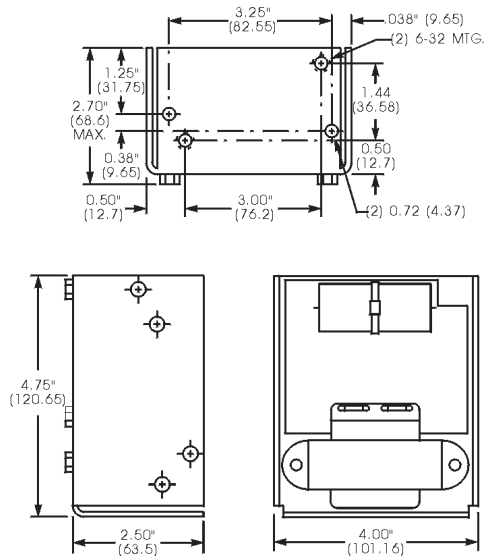
### Applications

- Microprocessor circuits
- Process controls
- Control circuits
- Noise sensitive circuits
- Instrumentation
- CNC machinery
- Analog circuits

### Specifications

Parameter	Condition	Limit
<b>Input</b>		
Input Voltage		104-127 VAC 208-254 VAC
Input Frequency		50-60 Hz
<b>Output</b>		
Regulation Line & Load		±0.1%
Pard (Ripple and Noise)		0.1% pk/pk
Periodic Deviations (Ripple)		10mv rms
Output Voltage Adjustment		±5% Minimum
Transient Recovery Time	50%-100% Load	Less than 50 msec
<b>General</b>		
Storage Ambient Temp.		-40°C to +85°C
Operating Ambient Temp.		0°C to +50°C
Temp. Effect Coefficient		0.03% °C
Polarity		May be used positive or negative
Short Circuit Protection		Protected with Automatic Recovery
Maximum Allowable Lead Drop for Remote Sensing		5%
Maximum Output Current		120% Rated Current
Maximum Short Circuit Current		30% Rated Current
Input/Output Isolation		1000 Megohms D.C., 2500 VAC
Cooling	Forced air. 20 CFM required for full rating Derate 30% without cooling	

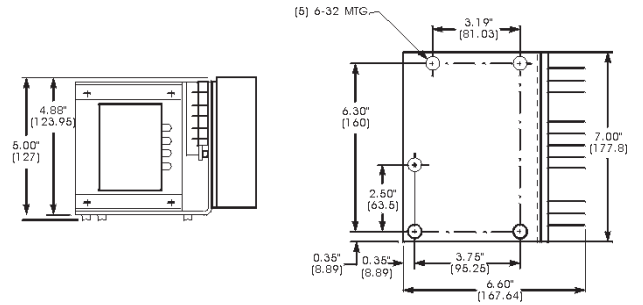
## Linear OEM Cases and Dimensions



### Case B



### Case C



### Case D

#### Notes:

All dimensions in inches (mm). Dimensions may change and should not be used for construction purposes.

When ordering, be sure to specify the complete part number. Orders may be placed with your local Sola/Hevi-Duty distributor.