

PSM-ME-RS485/RS485-P

Order No.: 2744429




<http://eshop.phoenixcontact.net/phoenix/treeViewClick.do?UID=2744429>

Repeater, for potential separation and range increase in RS-485 2-wire bus systems, 3-way isolation, rail-mountable




RS-485

Commercial data	
EAN	 4 017918 171797
Pack	1 pcs.
Customs tariff	85176200
Gross weight in pieces	0.1896 KG
Net weight per piece (exclusive packing)	0.1896 KG
Catalog page information	Page 481 (IF-2011)

Product notes

WEEE/RoHS-compliant since:
07/14/2006



<http://www.download.phoenixcontact.com>
Please note that the data given here has been taken from the online catalog. For comprehensive information and data, please refer to the user documentation. The General Terms and Conditions of Use apply to Internet downloads.

Technical data	
Serial interface	
Interface 1	RS-485 interface, in acc. with EIA/TIA-485, DIN 66259-4/RS-485 2-wire
Operating mode	Semi-duplex
File format/coding	UART (11/10 bit switchable; NRZ)

Data direction switching	Automatic control, min. station response time 1 bits
Termination resistor	390 Ω
	220 Ω
	390 Ω (Can be connected)
Transmission medium	2-wire twisted pair, shielded
Transmission length	max. 1200 m (depends on transmission speed, bus system and cable type)
Cascadability	9 (4,8 - 93,75 kbps)
	7 (115.2 - 136 kbps)
Connection method	Pluggable screw connection
Conductor cross section stranded min.	0.2 mm ²
Conductor cross section stranded max.	2.5 mm ²
Conductor cross section AWG/kcmil min.	24
Conductor cross section AWG/kcmil max	14
Serial transmission speed	4.8/ 9.6/ 19.2/ 38.4/ 57.6/ 75/ 93.75/ 115.2/ 136/ 187.5/ 375/ 500/ 1500 kbps
Interface 2	RS-485 interface, in acc. with EIA/TIA-485, DIN 66259-4/RS-485 2-wire
Operating mode	Semi-duplex
File format/coding	UART (11/10 bit switchable; NRZ)
Data direction switching	Automatic control, min. station response time 1 bits
Transmission medium	2-wire twisted pair, shielded
Transmission length	1200 m (depends on transmission speed, bus system and cable type)
Cascadability	9 (4,8 - 93,75 kbps)
Conductor cross section stranded min.	0.2 mm ²
Conductor cross section stranded max.	2.5 mm ²
Conductor cross section AWG/kcmil min.	24
Conductor cross section AWG/kcmil max	14
Serial transmission speed	4.8/ 9.6/ 19.2/ 38.4/ 57.6/ 75/ 93.75/ 115.2/ 136/ 187.5/ 375/ 500/ 1500 kbps
Power supply	
Nominal supply voltage	24 V AC/DC ±20 %
Typical current consumption	90 mA (24 V DC)
General data	
Transmission channels	2 (1/1), TD, RD, half duplex

Bit delay	< 200 ns
Bit distortion	< 1.5 %
Bit distortion, input	max. \pm 35 %
Bit distortion, output	< 3.6 %
Width	22.5 mm
Height	99 mm
Depth	114.5 mm
Ambient temperature (operation)	0 °C ... 55 °C
Ambient temperature (storage/transport)	-40 °C ... 85 °C
Permissible humidity (operation)	10 % ... 95 % (no condensation)
Altitude	5000 m (For restrictions see manufacturer's declaration)
Electrical isolation	(VCC // RS-485 (A) // RS-485 (B))
Test voltage data interfaces	2 kV AC
Test voltage data interface/power supply	2 kV AC
	2 kV
Electromagnetic compatibility	Conformance with EMC Directive 2004/108/EC
Noise emission	EN 50 081-1
Noise immunity	EN 61000-6-2:2005
Net weight	130 g
Housing material	PA
Color	green
MTBF	1849 Years (Telcordia standard, 25°C temperature, 21% operating cycle (5 days a week, 8 hours a day))
	385 Years (Telcordia standard, 40°C temperature, 34.25% operating cycle (5 days a week, 12 hours a day))
UL, USA / Canada	508 recognized
	Class I, Div. 2, Groups A, B, C, D

Certificates / Approvals



Certification	cULus Recognized, GOST, DNV
Certification Ex:	cUL Recognized
Certifications applied for:	cUL / UL

Accessories

Item	Designation	Description
------	-------------	-------------

Assembly

2853899	ME-SAS	Shield connection clamp for printed circuit terminal block
---------	--------	--

General

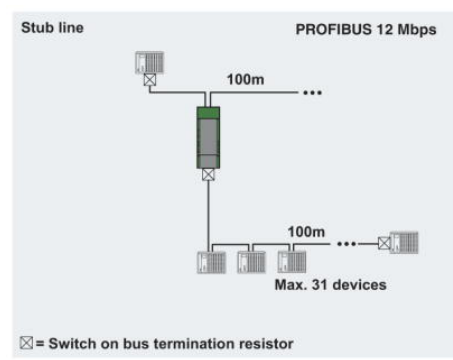
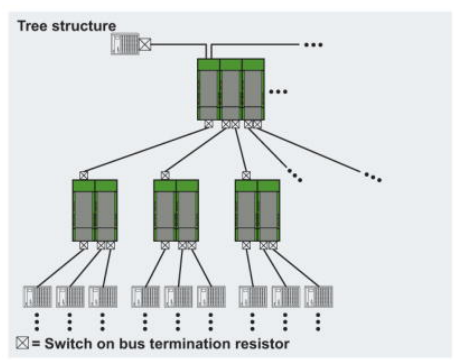
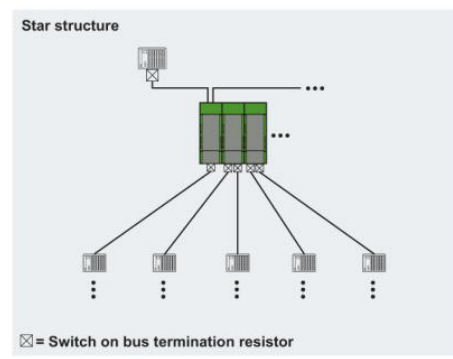
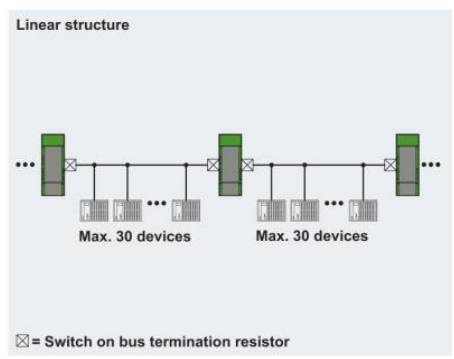
2313944	PSI-TERMINATOR-PB	Active termination resistor with redundant voltage supply for PROFIBUS and RS-485 bus systems. Compact design. Electrical isolation between supply and data interface. Bus termination can be switched. Integrated programming interface.
---------	-------------------	---

Tools

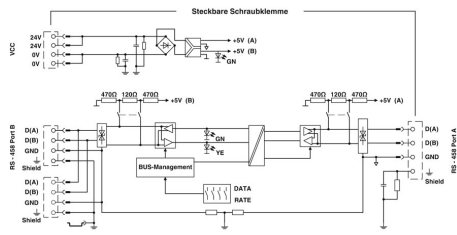
1204517	SZF 1-0,6X3,5	Actuation tool, for ST terminal blocks, also suitable for use as a bladed screwdriver, size: 0.6 x 3.5 x 100 mm, 2-component grip, with non-slip grip
---------	---------------	---

Diagrams/Drawings

Application drawing



Circuit diagram



Address

PHOENIX CONTACT Ltd
Halesfield 13
Telford Shropshire TF7 4PG,GB
Phone 01952 681 700
Fax 01952 681 799
<http://www.phoenixcontact.co.uk>



© 2013 Phoenix Contact
Technical modifications reserved;