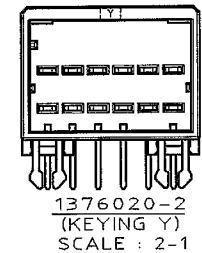
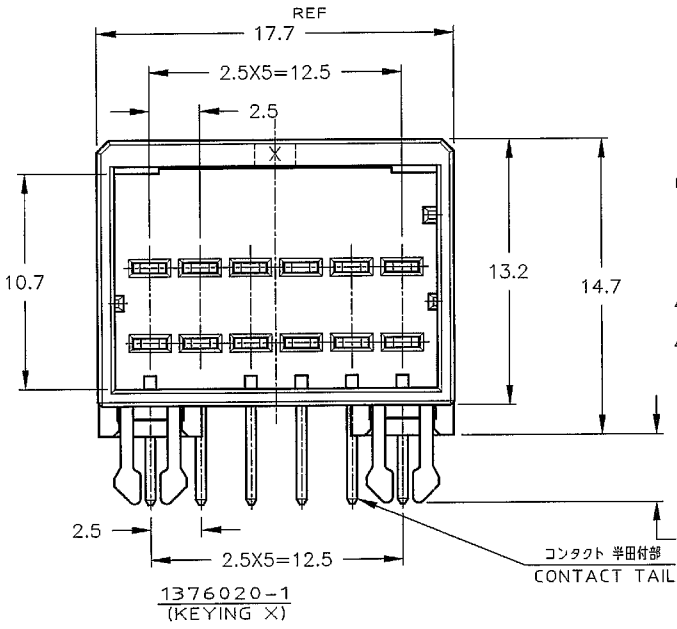
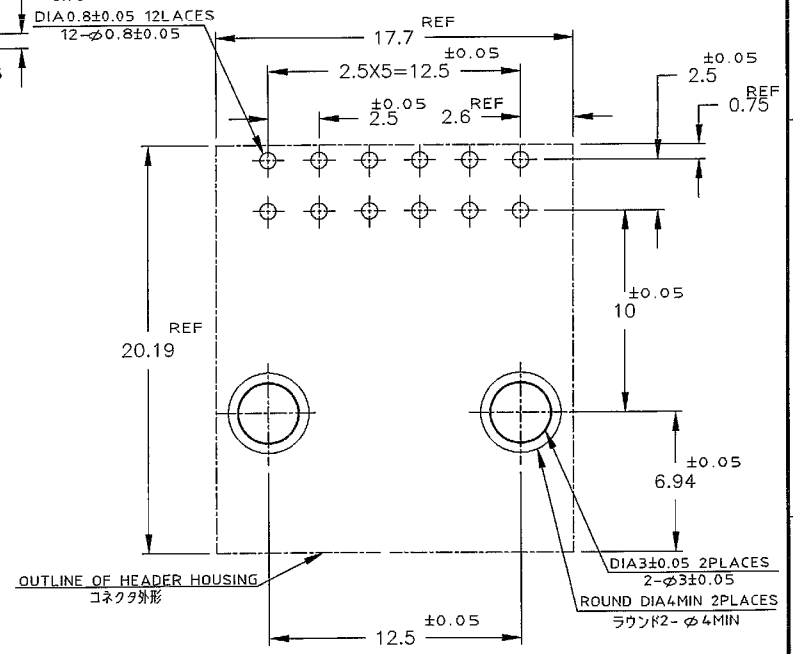
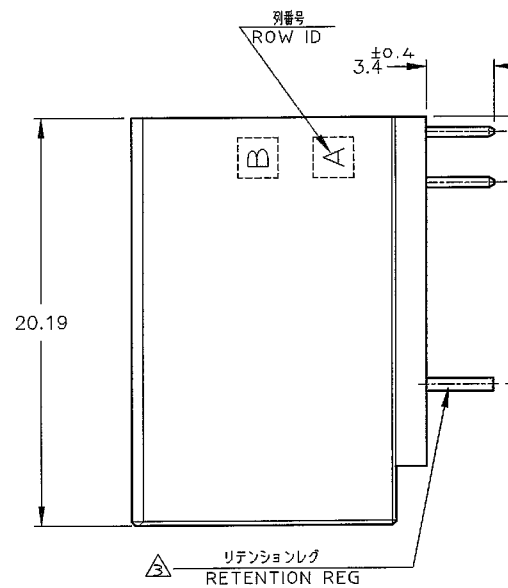
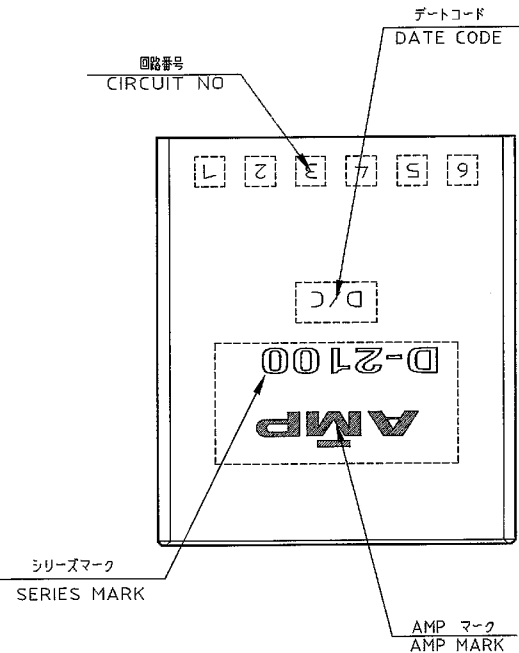


THIS DRAWING IS UNPUBLISHED. RELEASED FOR PUBLICATION 1998
 © COPYRIGHT 1998 BY AMP INCORPORATED. ALL RIGHTS RESERVED.

LOC		DIST		REVISIONS					
J		ZDI		REV	DESCRIPTION	ECN	DATE	DWN	APVD
				0	RELEASED	FJ00-1755-99	28FEB'00	K.I.	I.H.
				A	REVISED	FJ00-1080-00	21SEP'00	Y.K.	S.M.
				B	REVISED	FJ00-0039-03	6/2/03	T.S.	S.Y.



推奨基板取付け寸法 (公差: ±0.05)
 PC 基板厚: 1.6 ± 0.3
 (コネクタ搭載面)

RECOMENDED PC BOARD HOLE PATTERN (TOL: ±0.05)
 PC BOARD THICKNESS: 1.6 ± 0.3
 (CONNECTOR MOUNT SIDE)

NOTES

- MATERIAL: HOUSING: GLASS FILLED THERMO PLASTIC, POLYESTER (94V-0), COLOR: BLACK
 TAB CONTACT: COPPER ALLOY
 RETENTION LEG: BRASS
- FINISH (CONTACT AREA): 0.38 μm MIN GOLD PLATING OVER NI PLATING
- FINISH (RETENTION LEG): TIN PLATED (CONTACT TAIL) OVER NICKEL

注記

- 材料: ハウジング: ガラス入り熱可塑性ポリエステル樹脂 (94V-0), 色: 黒
 タブコンタクト: 銅合金
 リテンションレグ: 黄銅
- めっき: コンタクト: 全面Ni下地 接触部: 0.38 μm MIN金めっき
- めっき: リテンションレグとコンタクト半田付部: ニッケル下地の上にスズめっき

THIS DRAWING IS A CONTROLLED DOCUMENT FOR AMP INCORPORATED. IT IS SUBJECT TO CHANGE AND THE CONTROLLING ENGINEERING ORGANIZATION SHOULD BE CONTACTED FOR THE LATEST REVISION.		CHK K.IKEDA 28/FEB/'00	24/FEB/'00		Tyco Electronics AMP K.K. Kawasaki, Japan	
DIMENSIONS: 単位: mm		APVD Y.KATO 28/FEB/'00	NAME I.HASEGAWA		2別 ヘッダーアセンブリー 12P (水平タイプ) DOUBLE ROW HEADER ASS'Y 12P ("H" TYPE) <DYNAMIC D-2100D>	
TOLERANCES UNLESS OTHERWISE SPECIFIED		PRODUCT SPEC 108-5619		SIZE A3	CAGE CODE 00779	DRAWING NO 1376020
MATERIAL 注記参照 SEE NOTES		FINISH 注記参照 SEE NOTES		APPLICATION SPEC 114-5258	RESTRICTED TO	
SCALE 4-1		CUSTOMER DRAWING		SHEET 1 OF 1 REV B		