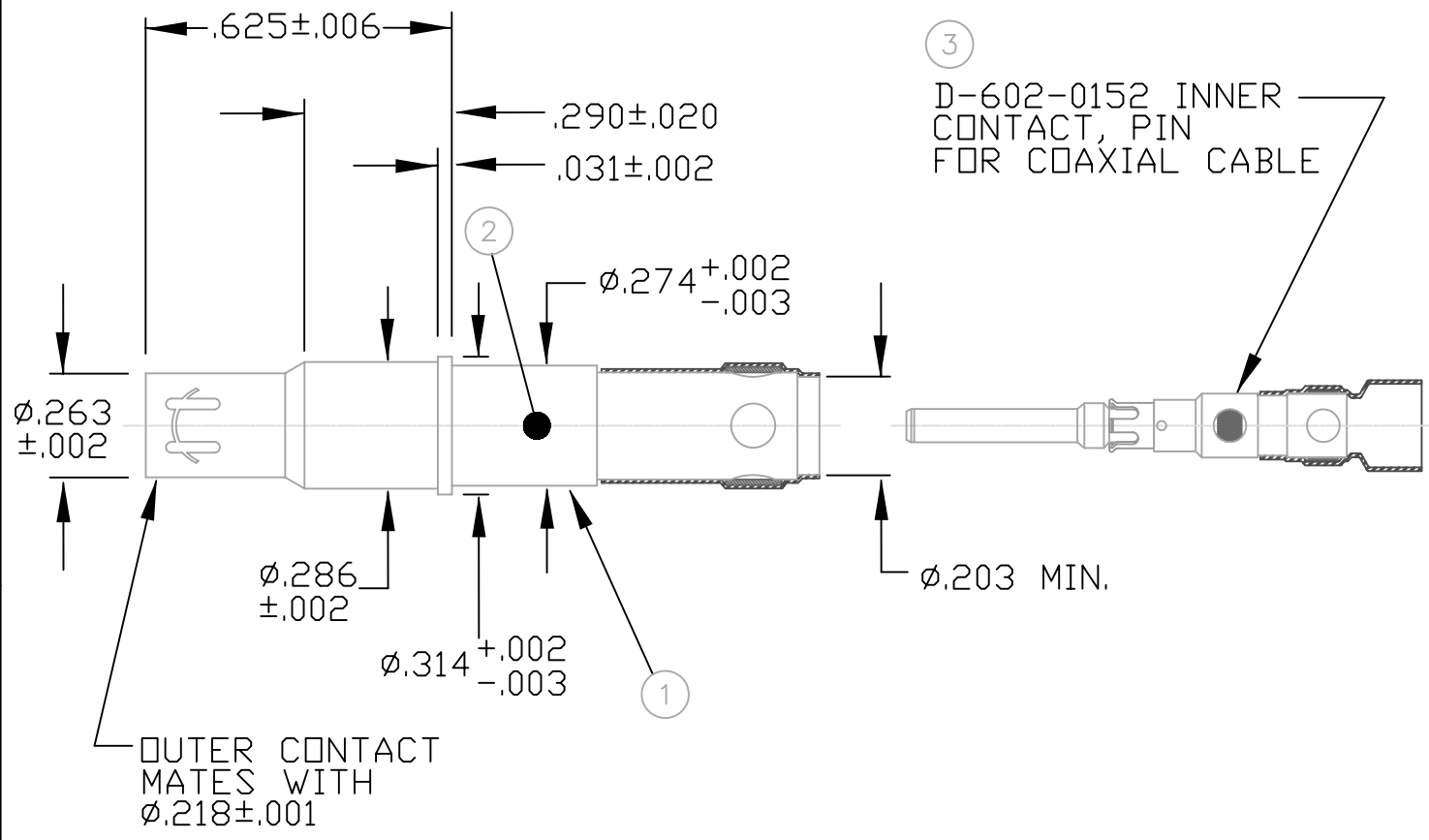


THIS DRAWING AND THE INFORMATION SET FORTH HEREON ARE THE PROPERTY OF TYCO ELECTRONICS CORPORATION, AND ARE TO BE HELD IN TRUST AND CONFIDENCE. PUBLICATION, DUPLICATION, DISCLOSURE, OR USE FOR ANY PURPOSE NOT EXPRESSLY AUTHORIZED IN WRITING BY TYCO ELECTRONICS IS PROHIBITED.

REVISIONS			
LTR	DESCRIPTION	DATE	APPROVED
N/C	RELEASED PER E.C.N. T-7222	11/17/86	L.M.
A	REVISED PER ECN T-20808	5/21/96	M. HIGGY
B	REDRAWN PER ECO-08-005291	March/3/08	M. HIGGY
C	PER ECO-08-016219	June/30/08	M. HIGGY



- ① OUTER CONTACT, SOCKET
- ② INSULATOR (NOT SHOWN)

CUSTOMER DRAWING

©2008 Tyco Electronics Corporation. All rights reserved.

UNLESS OTHERWISE SPECIFIED DIMENSIONS ARE IN INCHES. METRIC DIMENSIONS ARE IN BRACKETS.

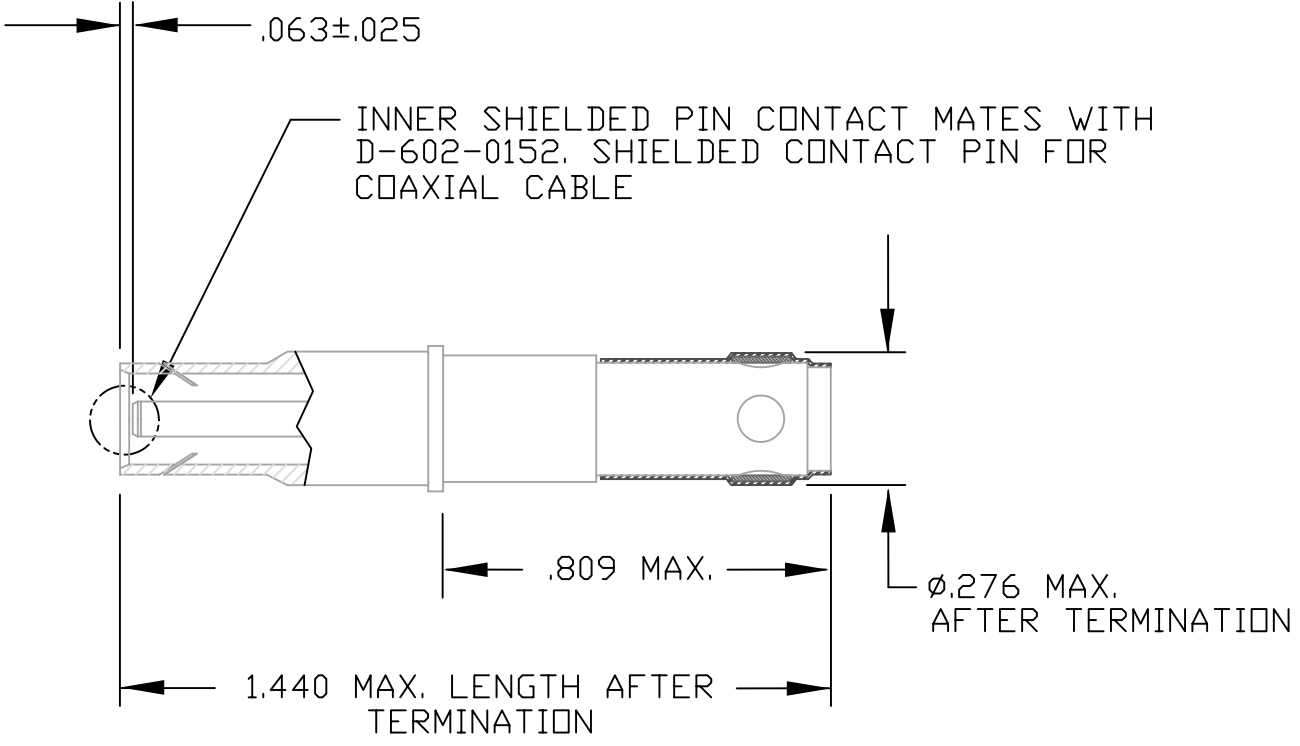
DECIMALS
 .XXX ± .005 { mm }
 .XX ± .01 { mm }

ANGLES 1°
 .X ± ---

WEIGHT
 0.0119 Lbs MAX. { 5.40 Gram MAX. }

DRAWN	ZS. ORBAN	Feb/14/08
CHECKED		
APPROVED	M. HIGGY	Feb/14/08
CAD NAME: D-602-1117a_C		
THIRD ANGLE PROJECTION		

		Raychem Devices 300 Constitution Drive Menlo Park, CA 94025 U.S.A	
TITLE TRIAxIAL CONTACT, SOCKET MIL-DTL-38999 SIZE 8			
SIZE	CODE IDENT. NO.	DWG. NO.	REV
A	06090	D-602-1117	C
DO NOT SCALE THIS DRAWING			SHEET 1 OF 3



NOTES: UNLESS OTHERWISE SPECIFIED

1. PART DESCRIPTION:

TRIAXIAL CONTACT, SOCKET MIL-DTL-38999 SIZE 8

MATERIAL AND FINISH:

- ① OUTER CONTACT BODY:
BE CU ALLOY 173, CONDITION H, PER ASTM B196/B196M, GOLD PLATED PER ASTM B 488 TYPE II GRADE C, OVER NICKEL PER SAE-AMS-QQ-N-290 OVER COPPER STIKE.
- ② INSULATOR: POLYETHERIMIDE
- ③ SHIELDED CONTACT, PIN MATERIALS AND FINISHES AS SPECIFIED ON D-602-0152 SCD

2. CAVITY ACCOMMODATION:

SOCKET CONFIGURATION TO FIT MIL-DTL-38999 SERIES I, III & IV CONNECTORS, SIZE 8

3. WIRE SIZE:

CONTACT ASSEMBLY WILL TERMINATE THE BRAID OF TYCO ELECTRONICS/RAYCHEM DATA BUS CABLE 5022E5111 AND 9530D5317 AFTER INNER CONDUCTORS HAVE BEEN TERMINATED TO D-602-0152, SHIELDED SOCKET CONTACT.

4. MATING CONTACT:

THIS CONNECTOR WILL MATE WITH D-602-1116

If this document is printed it becomes uncontrolled. Check for the latest revision

CUSTOMER DRAWING

DRAWN	ZS. ORBAN Feb/14/08	THIRD ANGLE PROJECTION		SIZE	CODE IDENT. NO.	DWG. NO.	REV
CAD NAME:	D-602-1117b_C			A	06090	D-602-1117	C
				DO NOT SCALE THIS DRAWING		SHEET 2 OF 3	





5. SEE ES-61406 FOR CABLE ACCOMMODATION AND TERMINATION PROCEDURE DETAIL.

6. TRIAXIAL CONTACT SHALL CONSIST OF OUTER SOCKET HOUSING ASSEMBLY AND SHIELDED CONTACT, PIN D-602-0152 FOR COAXIAL CABLE PACKAGED TOGETHER.

PERFORMANCE CHARACTERISTICS:

(TEST REQUIREMENTS AND PROCEDURES SHALL BE PER SAE-AS39029 WHERE APPLICABLE)

TEMPERATURE RATING: 125°C

CURRENT RATING: 3 AMPS

VOLTAGE RATING: DIELECTRIC WITHSTAND APPLIED BETWEEN INNER CONTACT AND MIDDLE CONTACT, AND MIDDLE CONTACT AND OUTER CONTACT 900 VOLTS RMS MAX.

CONTACT RESISTANCE: INNER 10 MILLIOHM
MIDDLE 8 MILLIOHM
OUTER 60 MILLIOHM

INSULATION RESISTANCE: 5.0 GIGAOHM MINIMUM

SOCKET ENGAGEMENT AND SEPARATION FORCE:

	ENGAGE (MAX.)	SEPARATE (MIN.)
OUTER SOCKET	48 OZ	4 OZ
INNER SOCKET	6 OZ	0.5 OZ

CUSTOMER DRAWING

If this document is printed it becomes uncontrolled. Check for the latest revision

DRAWN	ZS. ORBAN Feb/14/08	THIRD ANGLE PROJECTION		SIZE	CODE IDENT. NO.	DWG. NO.	REV
CAD NAME:	D-602-1117c_C			A	06090	D-602-1117	C
DO NOT SCALE THIS DRAWING						SHEET 3 OF 3	