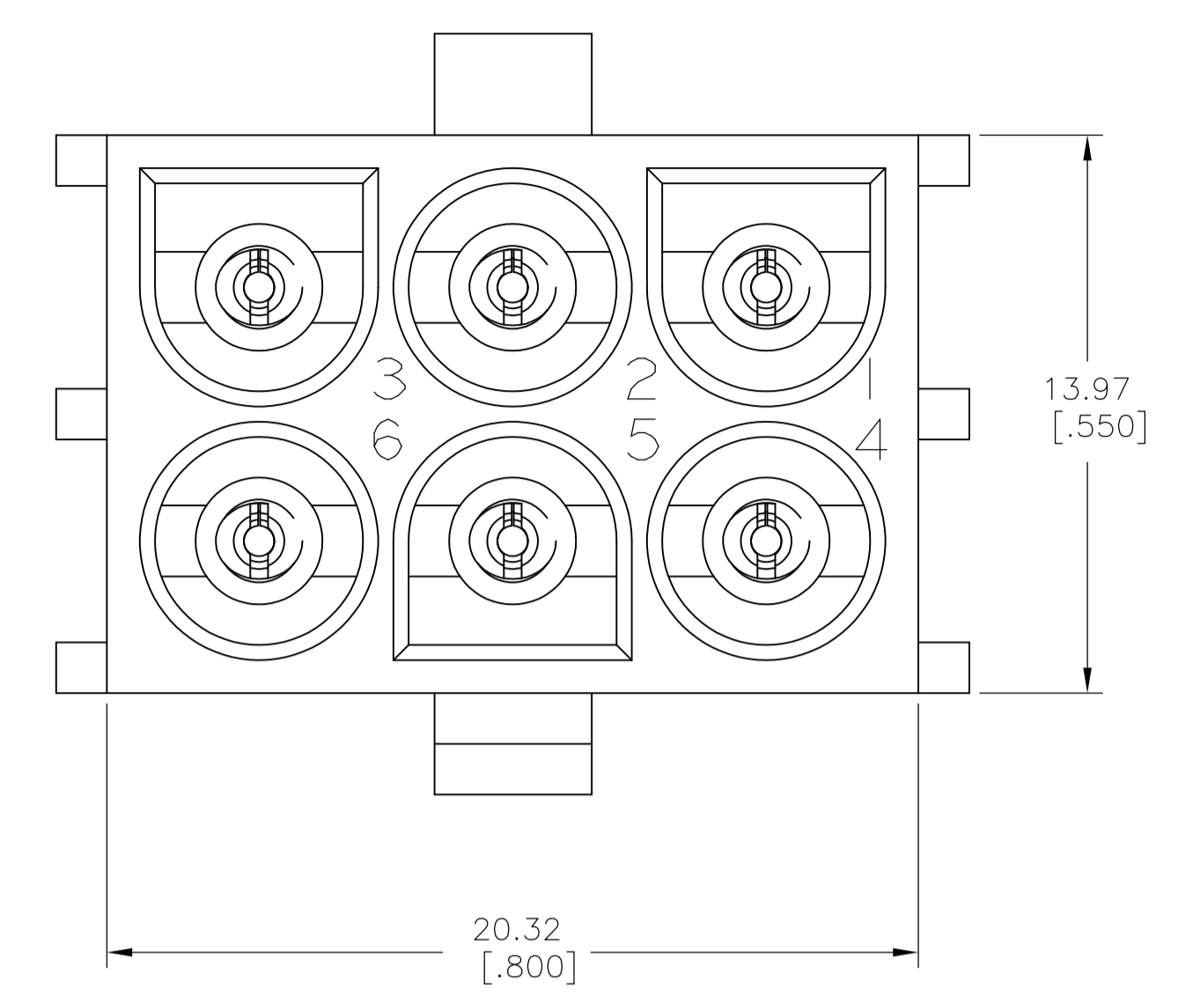
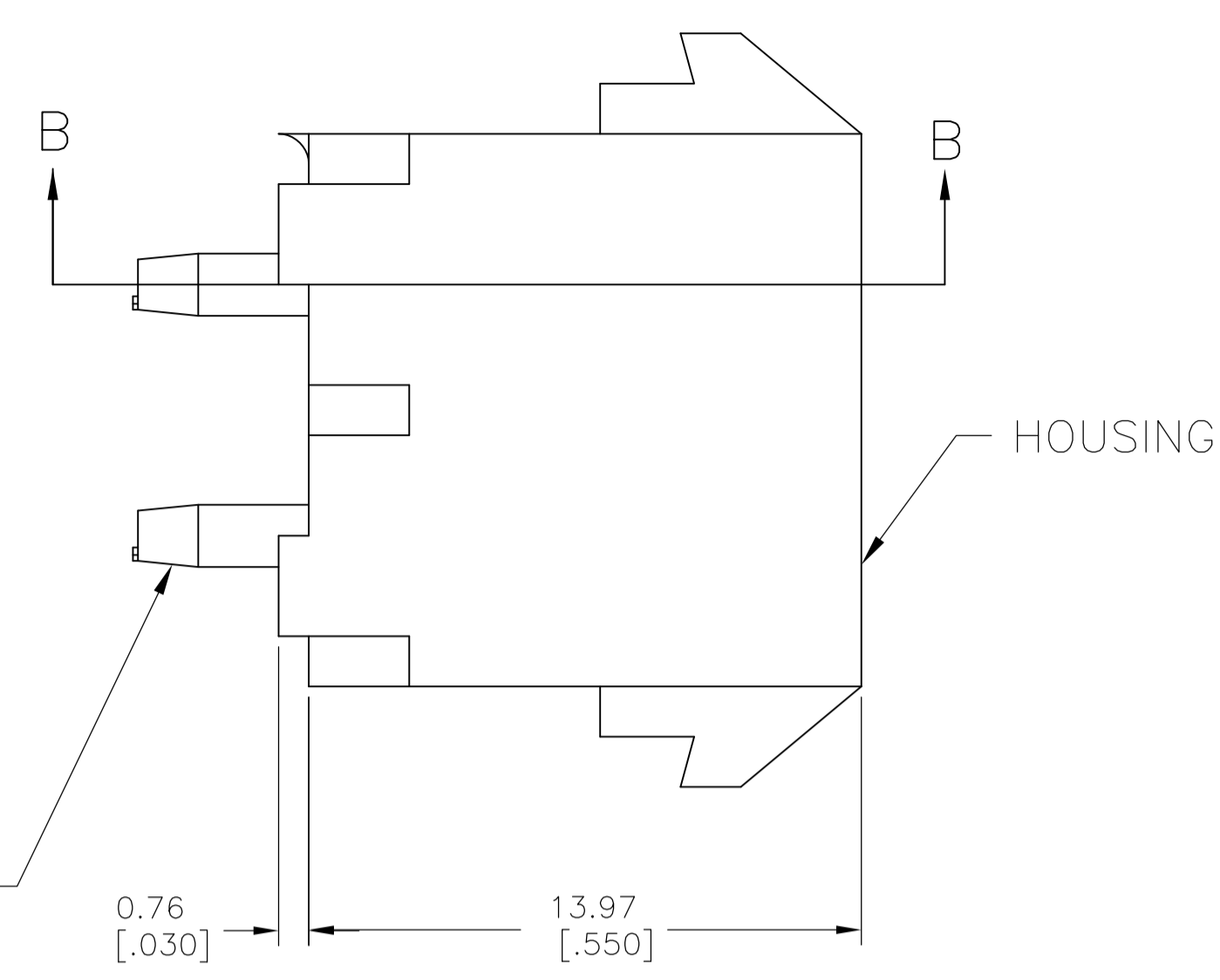
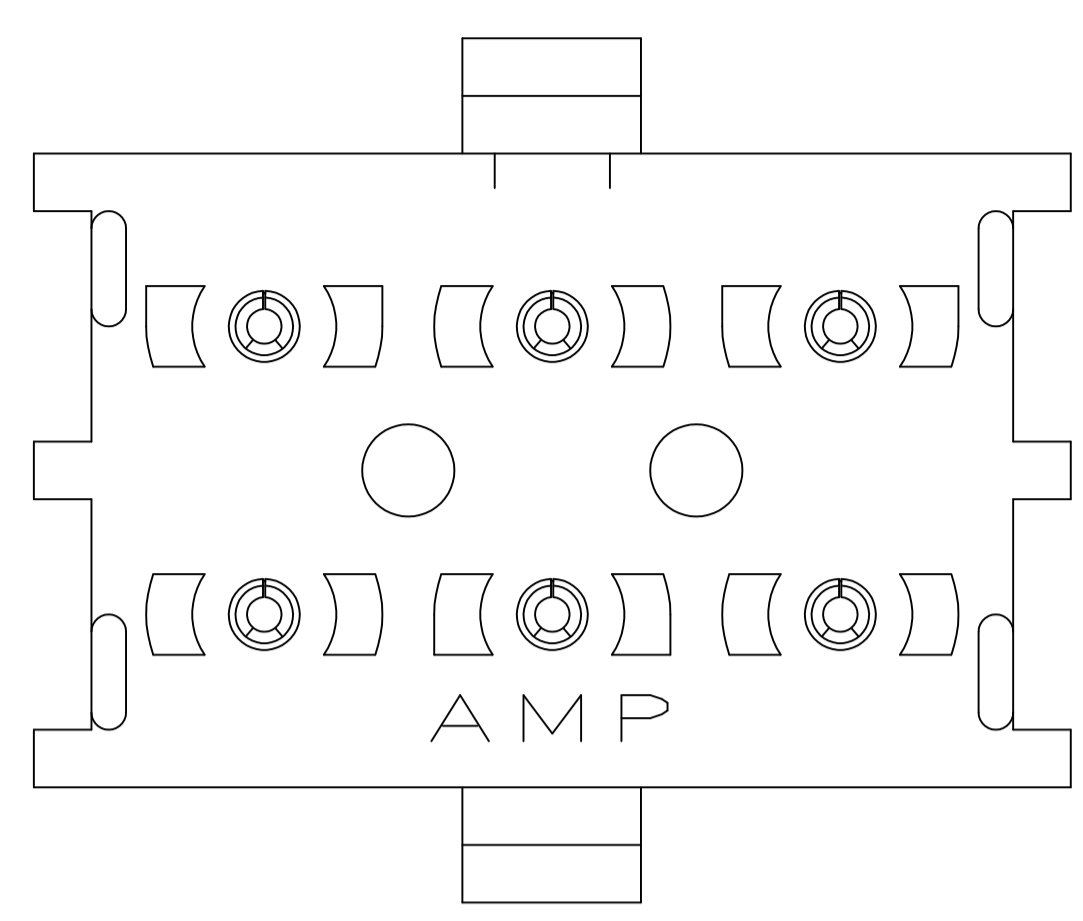
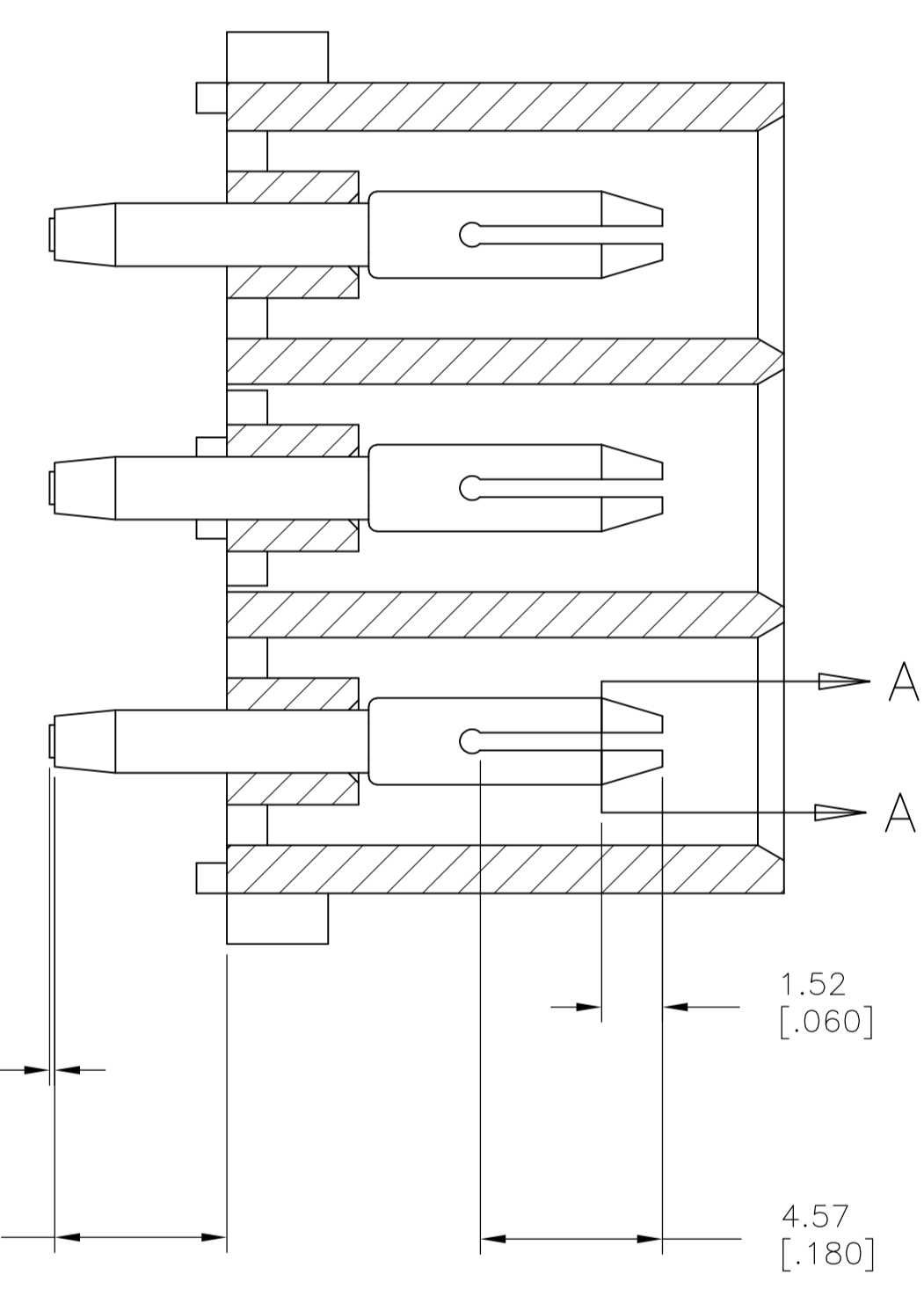


LOC		DIST		REVISIONS			
CM	00	REV	PER	DESCRIPTION	DATE	DMN	APVD
B		REV PER	ECR	10-018921	14SEPT10	JR	TM

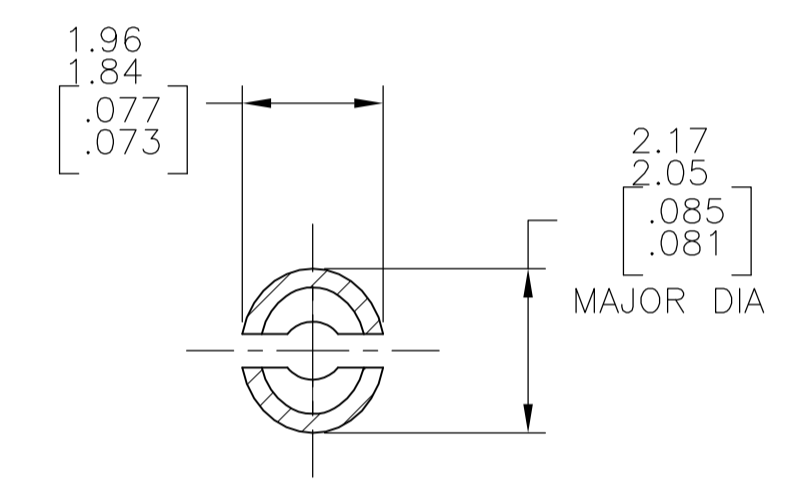


- 1 PARTS MATE WITH HOUSING 1586846
- 2 PARTS COMPLY TO AMP SOLDERABILITY SPECIFICATION 109-11-3.
- 3 CIRCUIT IDENTIFICATION CHARACTERS ARE ADJACENT TO THE INDICATED CAVITIES, BUT LOCATION AND ORIENTATION MAY DIFFER FROM PRINT.
- 4 FLAMMABILITY V2 FOR THICKNESS 0.38mm, 1.5mm, and 3.0mm PER IEC 60695-11-10.
- 5 GLOW-WIRE FLAMMABILITY (GWFI) 800°C FOR THICKNESS 0.38mm AND 0.75mm PER IEC 60695-2-12.
- 6 GLOW-WIRE FLAMMABILITY (GWFI) 960°C FOR THICKNESS 1.5mm AND 3.0mm PER IEC 60695-2-12.
- 7 GLOW-WIRE IGNITION (GWIT) 825°C FOR THICKNESS 0.38mm, 0.75mm, 1.5mm AND 3.0mm PER IEC 60695-2-13.

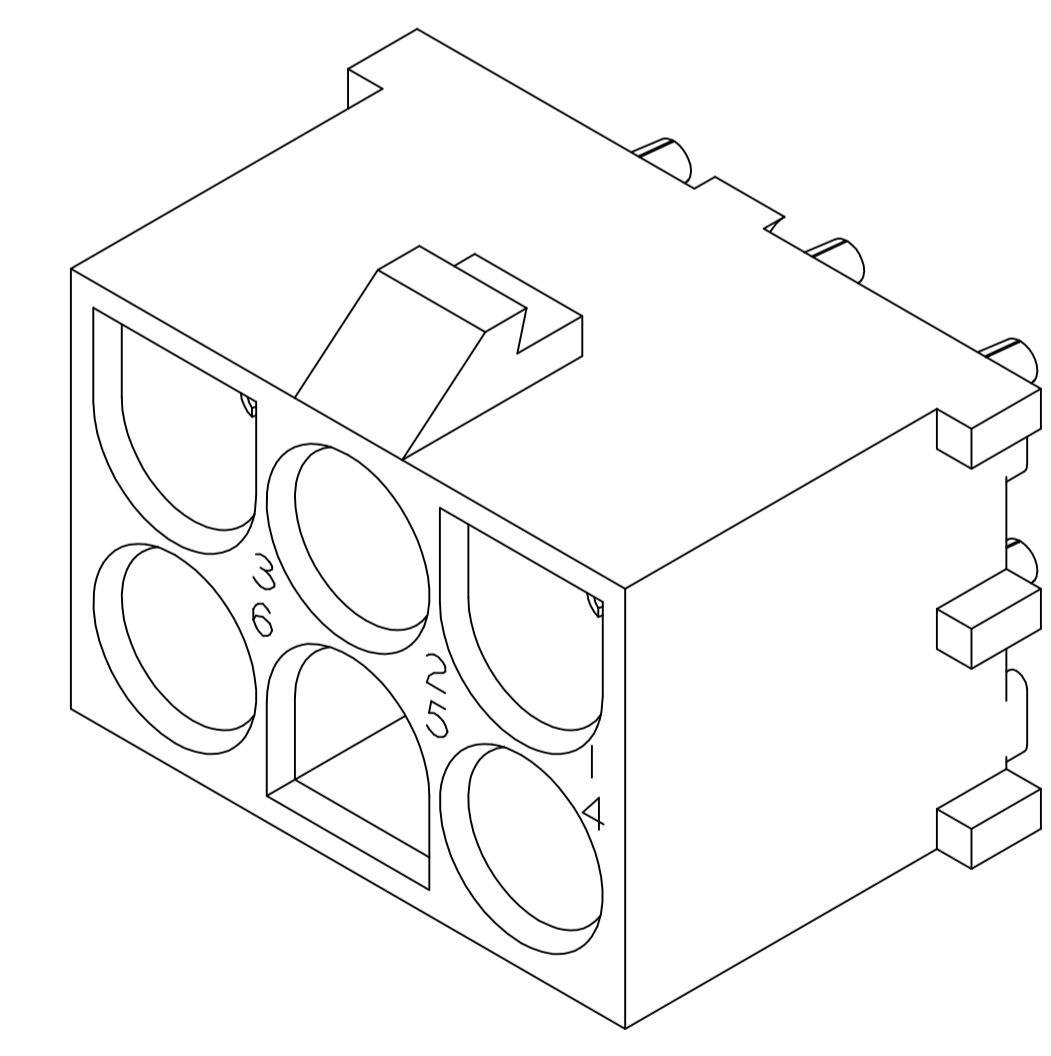
CONTACT 6 REQ'D



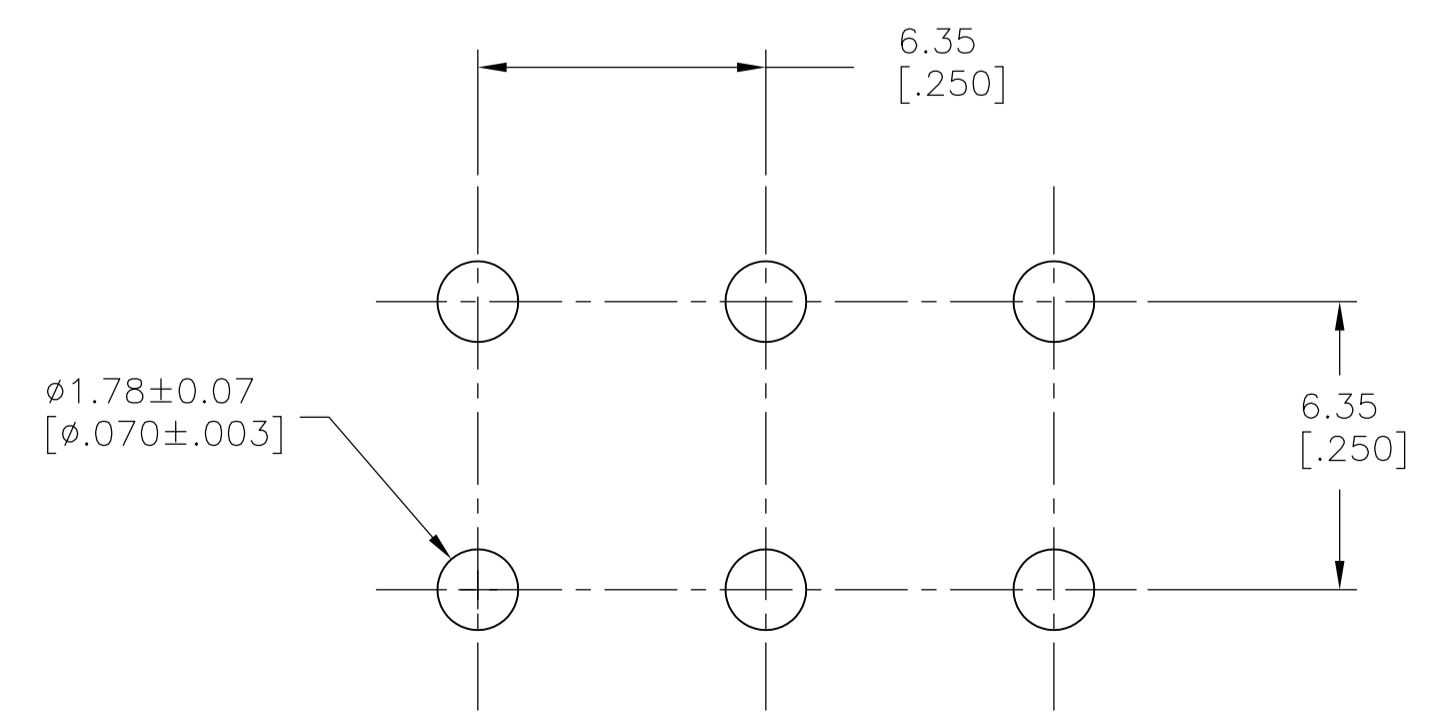
SECTION B-B



SECTION A-A  
SCALE 10:1



3 DIMENSIONAL MODEL  
SCALE 4:1



RECOMMENDED MOUNTING HOLE PATTERN  
FOR 1.57 [.062] THICK P.C. BOARD

PHOSPOR BRONZE, PRE-TIN		NYLON, UL94V-2, NATURAL	1586979-1
PIN CONTACT MATERIAL AND FINISH		HOUSING MATERIAL AND COLOR	PART NUMBER
THIS DRAWING IS A CONTROLLED DOCUMENT.		DWG: RAGHAVENDRA 17APR09	Tyco Electronics Corporation
DIMENSIONS: mm [INCHES]		CHK: SARVER MICHAEL 17APR09	Harrisburg, PA 17105-3608
TOLERANCES UNLESS OTHERWISE SPECIFIED:		APVD: SARVER MICHAEL 17APR09	NAME: SARVER MICHAEL
0 PLC	± -	PRODUCT SPEC	
1 PLC	± -	APPLICATION SPEC	
2 PLC	± 0.13 [.005]	SIZE	CAGE CODE
3 PLC	± -	A1	00779
4 PLC	± -	DRAWING NO: 1586979	
ANGLES	± 0° 30'	RESTRICTED TO	
MATERIAL	SEE TABLE	FINISH	SEE TABLE
CUSTOMER DRAWING		SCALE: 5:1	SHEET 1 OF 1 REV B

