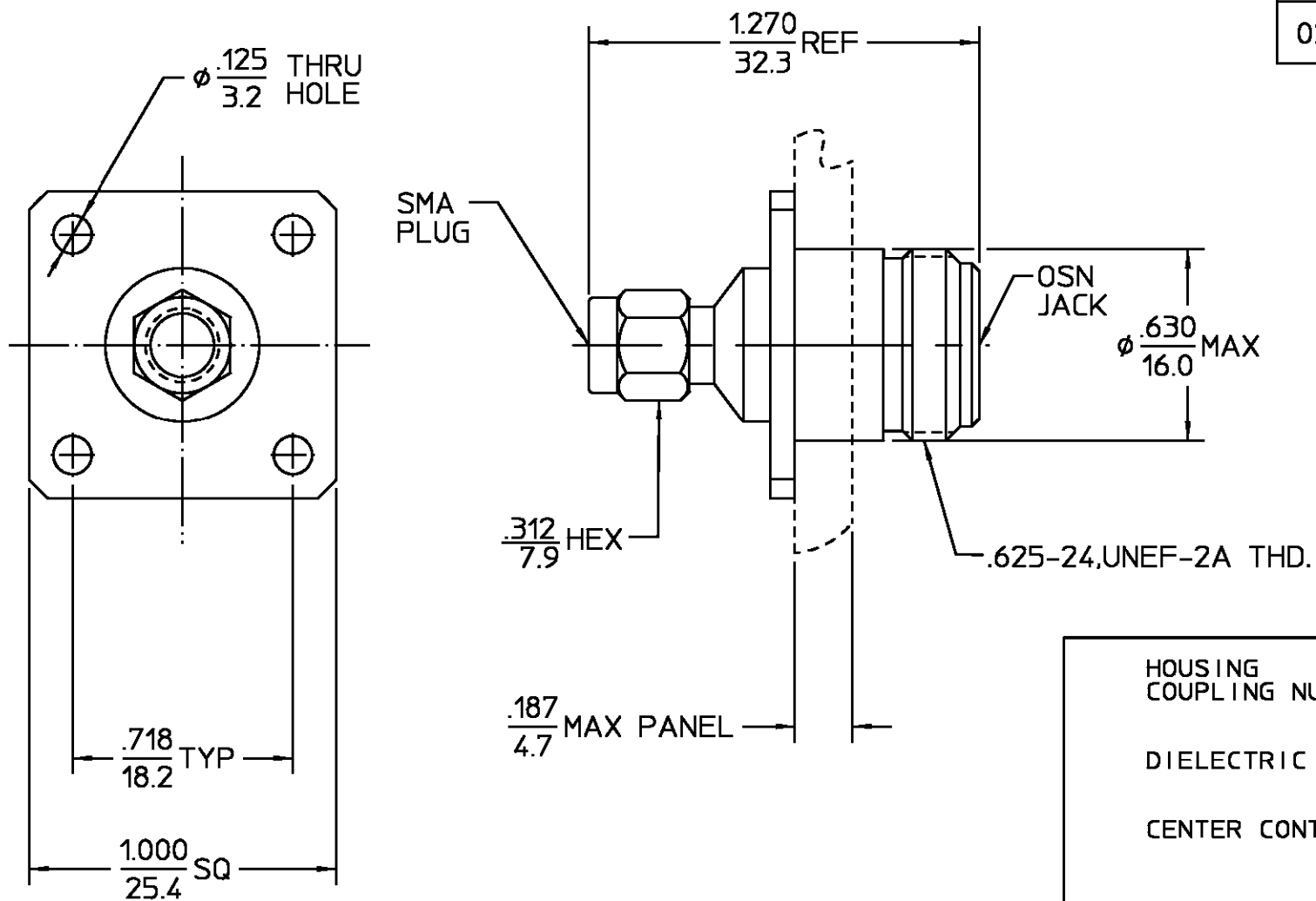



REVISIONS			
REV	DESCRIPTION	DATE	APPROVED
02 ₂	REDRAWN IN CAD PER ECN96-0048	6/20/96 JBJ	<i>[Signature]</i>



HOUSING COUPLING NUT	STAINLESS STEEL PER ASTM-A484 AND ASTM-A582, TYPE 303	PASSIVATE PER QQ-P-35
DIELECTRIC	TFE FLUOROCARBON PER ASTM-D-1457	N/A
CENTER CONTACT	BERYLLIUM COPPER PER ASTM-B-196 OR ASTM-B-197, ALLOY C17300, CONDITION H	GOLD PLATE PER MIL-G-45204
RETAINING RING	BERYLLIUM COPPER PER ASTM-B-194, ALLOY C17200, CONDITION H	GOLD PLATE PER MIL-G-45204
GASKET	SILICONE RUBBER PER ZZ-R-765	N/A

COMPONENT	MATERIAL	FINISH
-----------	----------	--------

UNLESS OTHERWISE SPECIFIED DIMENSIONS ARE IN INCHES GEN. TOL ±.005 ANGLES ± 1°	DRAWN BY B.M. DATE 9/28/89	 AMP Incorporated 140 Fourth Avenue Waltham, MA 02451-7599
	CHECKED BY S.A. DATE 10/2/89	
	APPD BY B.C. DATE 10/20/89	

These drawings and specifications are the property of M/A COM Interconnect Div. and shall not be reproduced or copied or used in whole or in part as the basis for the manufacture or sale of item(s) without written permission.	TITLE OSN JACK TO OSM PLUG ADAPTER 4 HOLE FLANGE MOUNT	
	SIZE B	CODE IDENT NO. 26805
	SCALE 2:1	3082-2243-00

NOTES:
 1. CAPTURED CENTER CONTACT
 2. VSWR: DC-12.4GHz :1.05+.005fGHz
 12.4-15.0 GHz :.83+.023fGHz

CUSTOMER DRAAWING

AMP PART # 1057385-1
 SHEET 1 OF 1 REV A