

# MPC8313E

## PowerQUICC II Pro Processor

### Hardware Specifications

This document provides an overview of the MPC8313E PowerQUICC™ II Pro processor features, including a block diagram showing the major functional components. The MPC8313E is a cost-effective, low-power, highly integrated host processor that addresses the requirements of several printing and imaging, consumer, and industrial applications, including main CPUs and I/O processors in printing systems, networking switches and line cards, wireless LANs (WLANs), network access servers (NAS), VPN routers, intelligent NIC, and industrial controllers. The MPC8313E extends the PowerQUICC™ family, adding higher CPU performance, additional functionality, and faster interfaces while addressing the requirements related to time-to-market, price, power consumption, and package size.

#### NOTE

The information in this document is accurate for revisions 1.0, 2.x, and later. See [Section 23.1, “Part Numbers Fully Addressed by this Document.”](#)

#### Contents

1. Overview .....	2
2. Electrical Characteristics .....	6
3. Power Characteristics .....	11
4. Clock Input Timing .....	12
5. RESET Initialization .....	13
6. DDR and DDR2 SDRAM .....	14
7. DUART .....	21
8. Ethernet: Three-Speed Ethernet, MII Management ..	21
9. High-Speed Serial Interfaces (HSSI) .....	36
10. USB .....	45
11. Enhanced Local Bus .....	47
12. JTAG .....	51
13. I <sup>2</sup> C .....	54
14. PCI .....	56
15. Timers .....	58
16. GPIO .....	59
17. IPIC .....	61
18. SPI .....	61
19. Package and Pin Listings .....	63
20. Clocking .....	77
21. Thermal .....	82
22. System Design Information .....	87
23. Ordering Information .....	93
24. Revision History .....	95

# 1 Overview

The MPC8313E incorporates the e300c3 core, which includes 16 Kbytes of L1 instruction and data caches and on-chip memory management units (MMUs). The MPC8313E has interfaces to dual enhanced three-speed 10/100/1000 Mbps Ethernet controllers, a DDR1/DDR2 SDRAM memory controller, an enhanced local bus controller, a 32-bit PCI controller, a dedicated security engine, a USB 2.0 dual-role controller and an on-chip high-speed PHY, a programmable interrupt controller, dual I<sup>2</sup>C controllers, a 4-channel DMA controller, and a general-purpose I/O port. This figure shows a block diagram of the MPC8313E.



**Figure 1. MPC8313E Block Diagram**

The MPC8313E security engine (SEC 2.2) allows CPU-intensive cryptographic operations to be offloaded from the main CPU core. The security-processing accelerator provides hardware acceleration for the DES, 3DES, AES, SHA-1, and MD-5 algorithms.

## 1.1 MPC8313E Features

The following features are supported in the MPC8313E:

- Embedded PowerPC™ e300 processor core built on Power Architecture™ technology; operates at up to 333 MHz.
- High-performance, low-power, and cost-effective host processor
- DDR1/DDR2 memory controller—one 16-/32-bit interface at up to 333 MHz supporting both DDR1 and DDR2
- 16-Kbyte instruction cache and 16-Kbyte data cache, a floating point unit, and two integer units
- Peripheral interfaces such as 32-bit PCI interface with up to 66-MHz operation, 16-bit enhanced local bus interface with up to 66-MHz operation, and USB 2.0 (high speed) with an on-chip PHY.
- Security engine provides acceleration for control and data plane security protocols
- Power management controller for low-power consumption
- High degree of software compatibility with previous-generation PowerQUICC processor-based designs for backward compatibility and easier software migration

## 1.2 Serial Interfaces

The following interfaces are supported in the MPC8313E: dual UART, dual I<sup>2</sup>C, and an SPI interface.

## 1.3 Security Engine

The security engine is optimized to handle all the algorithms associated with IPSec, IEEE Std 802.11i®, and iSCSI. The security engine contains one crypto-channel, a controller, and a set of crypto execution units (EUs). The execution units are as follows:

- Data encryption standard execution unit (DEU), supporting DES and 3DES
- Advanced encryption standard unit (AESU), supporting AES
- Message digest execution unit (MDEU), supporting MD5, SHA1, SHA-224, SHA-256, and HMAC with any algorithm
- One crypto-channel supporting multi-command descriptor chains

## 1.4 DDR Memory Controller

The MPC8313E DDR1/DDR2 memory controller includes the following features:

- Single 16- or 32-bit interface supporting both DDR1 and DDR2 SDRAM
- Support for up to 333 MHz
- Support for two physical banks (chip selects), each bank independently addressable
- 64-Mbit to 2-Gbit (for DDR1) and to 4-Gbit (for DDR2) devices with x8/x16/x32 data ports (no direct x4 support)
- Support for one 16-bit device or two 8-bit devices on a 16-bit bus, or one 32-bit device or two 16-bit devices on a 32-bit bus
- Support for up to 16 simultaneous open pages
- Supports auto refresh
- On-the-fly power management using CKE
- 1.8-/2.5-V SSTL2 compatible I/O

## 1.5 PCI Controller

The MPC8313E PCI controller includes the following features:

- PCI specification revision 2.3 compatible
- Single 32-bit data PCI interface operates at up to 66 MHz
- PCI 3.3-V compatible (not 5-V compatible)
- Support for host and agent modes
- On-chip arbitration, supporting three external masters on PCI
- Selectable hardware-enforced coherency

## 1.6 USB Dual-Role Controller

The MPC8313E USB controller includes the following features:

- Supports USB on-the-go mode, which includes both device and host functionality, when using an external ULPI (UTMI + low-pin interface) PHY
- Compatible with *Universal Serial Bus Specification, Rev. 2.0*
- Supports operation as a stand-alone USB device
  - Supports one upstream facing port
  - Supports three programmable USB endpoints
- Supports operation as a stand-alone USB host controller
  - Supports USB root hub with one downstream-facing port
  - Enhanced host controller interface (EHCI) compatible
- Supports high-speed (480 Mbps), full-speed (12 Mbps), and low-speed (1.5 Mbps) operation. Low-speed operation is supported only in host mode.
- Supports UTMI + low pin interface (ULPI) or on-chip USB 2.0 full-speed/high-speed PHY

## 1.7 Dual Enhanced Three-Speed Ethernet Controllers (eTSECs)

The MPC8313E eTSECs include the following features:

- Two RGMII/SGMII/MII/RMII/RTBI interfaces
- Two controllers designed to comply with IEEE Std 802.3®, 802.3u®, 802.3x®, 802.3z®, 802.3au®, and 802.3ab®
- Support for Wake-on-Magic Packet™, a method to bring the device from standby to full operating mode
- MII management interface for external PHY control and status
- Three-speed support (10/100/1000 Mbps)
- On-chip high-speed serial interface to external SGMII PHY interface
- Support for IEEE Std 1588™
- Support for two full-duplex FIFO interface modes
- Multiple PHY interface configuration
- TCP/IP acceleration and QoS features available
- IP v4 and IP v6 header recognition on receive
- IP v4 header checksum verification and generation
- TCP and UDP checksum verification and generation
- Per-packet configurable acceleration
- Recognition of VLAN, stacked (queue in queue) VLAN, IEEE Std 802.2®, PPPoE session, MPLS stacks, and ESP/AH IP-security headers
- Transmission from up to eight physical queues.
- Reception to up to eight physical queues



- Full and half-duplex Ethernet support (1000 Mbps supports only full-duplex):
  - IEEE 802.3 full-duplex flow control (automatic PAUSE frame generation or software-programmed PAUSE frame generation and recognition)
  - Programmable maximum frame length supports jumbo frames (up to 9.6 Kbytes) and IEEE 802.1 virtual local area network (VLAN) tags and priority
  - VLAN insertion and deletion
    - Per-frame VLAN control word or default VLAN for each eTSEC
    - Extracted VLAN control word passed to software separately
  - Retransmission following a collision
  - CRC generation and verification of inbound/outbound packets
  - Programmable Ethernet preamble insertion and extraction of up to 7 bytes
- MAC address recognition:
  - Exact match on primary and virtual 48-bit unicast addresses
    - VRRP and HSRP support for seamless router fail-over
  - Up to 16 exact-match MAC addresses supported
  - Broadcast address (accept/reject)
  - Hash table match on up to 512 multicast addresses
  - Promiscuous mode
- Buffer descriptors backward compatible with MPC8260 and MPC860T 10/100 Ethernet programming models
- RMON statistics support
- 10-Kbyte internal transmit and 2-Kbyte receive FIFOs
- MII management interface for control and status

## 1.8 Programmable Interrupt Controller (PIC)

The programmable interrupt controller (PIC) implements the necessary functions to provide a flexible solution for general-purpose interrupt control. The PIC programming model supports 5 external and 34 internal discrete interrupt sources. Interrupts can also be redirected to an external interrupt controller.

## 1.9 Power Management Controller (PMC)

The MPC8313E power management controller includes the following features:

- Provides power management when the device is used in both host and agent modes
- Supports PCI power management 1.2 D0, D1, D2, D3hot, and D3cold states
- On-chip split power supply controlled through external power switch for minimum standby power
- Support for PME generation in PCI agent mode, PME detection in PCI host mode
- Supports wake-up from Ethernet (Magic Packet), USB, GPIO, and PCI (PME input as host)

## 1.10 Serial Peripheral Interface (SPI)

The serial peripheral interface (SPI) allows the MPC8313E to exchange data between other PowerQUICC family chips, Ethernet PHYs for configuration, and peripheral devices such as EEPROMs, real-time clocks, A/D converters, and ISDN devices.

The SPI is a full-duplex, synchronous, character-oriented channel that supports a four-wire interface (receive, transmit, clock, and slave select). The SPI block consists of transmitter and receiver sections, an independent baud-rate generator, and a control unit.

## 1.11 DMA Controller, Dual I<sup>2</sup>C, DUART, Local Bus Controller, and Timers

The MPC8313E provides an integrated four-channel DMA controller with the following features:

- Allows chaining (both extended and direct) through local memory-mapped chain descriptors (accessible by local masters)
- Supports misaligned transfers

There are two I<sup>2</sup>C controllers. These synchronous, multi-master buses can be connected to additional devices for expansion and system development.

The DUART supports full-duplex operation and is compatible with the PC16450 and PC16550 programming models. The 16-byte FIFOs are supported for both the transmitter and the receiver.

The MPC8313E local bus controller (LBC) port allows connections with a wide variety of external DSPs and ASICs. Three separate state machines share the same external pins and can be programmed separately to access different types of devices. The general-purpose chip select machine (GPCM) controls accesses to asynchronous devices using a simple handshake protocol. The three user programmable machines (UPMs) can be programmed to interface to synchronous devices or custom ASIC interfaces. Each chip select can be configured so that the associated chip interface can be controlled by the GPCM or UPM controller. The FCM provides a glueless interface to parallel-bus NAND Flash E2PROM devices. The FCM contains three basic configuration register groups—BR<sub>n</sub>, OR<sub>n</sub>, and FMR. Both may exist in the same system. The local bus can operate at up to 66 MHz.

The MPC8313E system timers include the following features: periodic interrupt timer, real time clock, software watchdog timer, and two general-purpose timer blocks.

## 2 Electrical Characteristics

This section provides the AC and DC electrical specifications and thermal characteristics for the MPC8313E. The MPC8313E is currently targeted to these specifications. Some of these specifications are independent of the I/O cell, but are included for a more complete reference. These are not purely I/O buffer design specifications.

## 2.1 Overall DC Electrical Characteristics

This section covers the ratings, conditions, and other characteristics.

### 2.1.1 Absolute Maximum Ratings

This table provides the absolute maximum ratings.

**Table 1. Absolute Maximum Ratings<sup>1</sup>**

Characteristic		Symbol	Max Value	Unit	Note
Core supply voltage		$V_{DD}$	-0.3 to 1.26	V	—
PLL supply voltage		$AV_{DD}$	-0.3 to 1.26	V	—
Core power supply for SerDes transceivers		$XCOREV_{DD}$	-0.3 to 1.26	V	—
Pad power supply for SerDes transceivers		$XPADV_{DD}$	-0.3 to 1.26	V	—
DDR and DDR2 DRAM I/O voltage		$GV_{DD}$	-0.3 to 2.75 -0.3 to 1.98	V	—
PCI, local bus, DUART, system control and power management, I <sup>2</sup> C, and JTAG I/O voltage		$NV_{DD}/LV_{DD}$	-0.3 to 3.6	V	—
eTSEC, USB		$LV_{DDA}/LV_{DDB}$	-0.3 to 3.6	V	—
Input voltage	DDR DRAM signals	$MV_{IN}$	-0.3 to ( $GV_{DD} + 0.3$ )	V	2, 5
	DDR DRAM reference	$MV_{REF}$	-0.3 to ( $GV_{DD} + 0.3$ )	V	2, 5
	Enhanced three-speed Ethernet signals	$LV_{IN}$	-0.3 to ( $LV_{DDA} + 0.3$ ) or -0.3 to ( $LV_{DDB} + 0.3$ )	V	4, 5
	Local bus, DUART, SYS_CLK_IN, system control, and power management, I <sup>2</sup> C, and JTAG signals	$NV_{IN}$	-0.3 to ( $NV_{DD} + 0.3$ )	V	3, 5
	PCI	$NV_{IN}$	-0.3 to ( $NV_{DD} + 0.3$ )	V	6
Storage temperature range		$T_{STG}$	-55 to 150	°C	—

**Notes:**

- Functional and tested operating conditions are given in [Table 2](#). Absolute maximum ratings are stress ratings only, and functional operation at the maximums is not guaranteed. Stresses beyond those listed may affect device reliability or cause permanent damage to the device.
- Caution:**  $MV_{IN}$  must not exceed  $GV_{DD}$  by more than 0.3 V. This limit may be exceeded for a maximum of 20 ms during power-on reset and power-down sequences.
- Caution:**  $NV_{IN}$  must not exceed  $NV_{DD}$  by more than 0.3 V. This limit may be exceeded for a maximum of 20 ms during power-on reset and power-down sequences.
- Caution:**  $LV_{IN}$  must not exceed  $LV_{DDA}/LV_{DDB}$  by more than 0.3 V. This limit may be exceeded for a maximum of 20 ms during power-on reset and power-down sequences.

### 2.1.2 Power Supply Voltage Specification

This table provides the recommended operating conditions for the MPC8313E. Note that the values in this table are the recommended and tested operating conditions. If a particular block is given a voltage falling within the range in the Recommended Value column, the MPC8313E is capable of delivering the amount of current listed in the Current Requirement column; this is the maximum current possible. Proper device operation outside of these conditions is not guaranteed.

**Table 2. Recommended Operating Conditions**

Characteristic	Symbol	Recommended Value <sup>1</sup>	Unit	Current Requirement
Core supply voltage	$V_{DD}$	1.0 V $\pm$ 50 mV	V	469 mA
Internal core logic constant power	$V_{DDC}$	1.0 V $\pm$ 50 mV	V	377 mA
SerDes internal digital power	$XCOREV_{DD}$	1.0	V	170 mA
SerDes internal digital ground	$XCOREV_{SS}$	0.0	V	—
SerDes I/O digital power	$XPADV_{DD}$	1.0	V	10 mA
SerDes I/O digital ground	$XPADV_{SS}$	0.0	V	—
SerDes analog power for PLL	$SDAV_{DD}$	1.0 V $\pm$ 50 mV	V	10 mA
SerDes analog ground for PLL	$SDAV_{SS}$	0.0	V	—
Dedicated 3.3 V analog power for USB PLL	USB_PLL_PWR3	3.3 V $\pm$ 300 mV	V	2–3 mA
Dedicated 1.0 V analog power for USB PLL	USB_PLL_PWR1	1.0 V $\pm$ 50 mV	V	2–3 mA
Dedicated analog ground for USB PLL	USB_PLL_GND	0.0	V	—
Dedicated USB power for USB bias circuit	USB_VDDA_BIAS	3.3 V $\pm$ 300 mV	V	4–5 mA
Dedicated USB ground for USB bias circuit	USB_VSSA_BIAS	0.0	V	—
Dedicated power for USB transceiver	USB_VDDA	3.3 V $\pm$ 300 mV	V	75 mA
Dedicated ground for USB transceiver	USB_VSSA	0.0	V	—
Analog power for e300 core APLL	$AV_{DD1}$ <sup>6</sup>	1.0 V $\pm$ 50 mV	V	2–3 mA
Analog power for system APLL	$AV_{DD2}$ <sup>6</sup>	1.0 V $\pm$ 50 mV	V	2–3 mA
DDR1 DRAM I/O voltage (333 MHz, 32-bit operation)	$GV_{DD}$	2.5 V $\pm$ 125 mV	V	131 mA
DDR2 DRAM I/O voltage (333 MHz, 32-bit operation)	$GV_{DD}$	1.8 V $\pm$ 80 mV	V	140 mA
Differential reference voltage for DDR controller	$MV_{REF}$	1/2 DDR supply ( $0.49 \times GV_{DD}$ to $0.51 \times GV_{DD}$ )	V	—
Standard I/O voltage	$NV_{DD}$	3.3 V $\pm$ 300 mV <sup>2</sup>	V	74 mA
eTSEC2 I/O supply	$LV_{DDA}$	2.5 V $\pm$ 125 mV/ 3.3 V $\pm$ 300 mV	V	22 mA
eTSEC1/USB DR I/O supply	$LV_{DDB}$	2.5 V $\pm$ 125 mV/ 3.3 V $\pm$ 300 mV	V	44 mA
Supply for eLBC IOs	$LV_{DD}$	3.3 V $\pm$ 300 mV	V	16 mA
Analog and digital ground	$V_{SS}$	0.0	V	—
Junction temperature range	$T_A/T_J$ <sup>3</sup>	0 to 105	°C	



**Table 2. Recommended Operating Conditions (continued)**

Characteristic	Symbol	Recommended Value <sup>1</sup>	Unit	Current Requirement
----------------	--------	--------------------------------	------	---------------------

**Note:**

1.  $GV_{DD}$ ,  $NV_{DD}$ ,  $AV_{DD}$ , and  $V_{DD}$  must track each other and must vary in the same direction—either in the positive or negative direction.
2. Some GPIO pins may operate from a 2.5-V supply when configured for other functions.
3. Min temperature is specified with  $T_A$ ; Max temperature is specified with  $T_J$ .
4. All Power rails must be connected and power applied to the MPC8313 even if the IP interfaces are not used.
5. All I/O pins should be interfaced with peripherals operating at same voltage level.
6. This voltage is the input to the filter discussed in [Section 22.2, “PLL Power Supply Filtering”](#) and not necessarily the voltage at the AVDD pin, which may be reduced from VDD by the filter.

This figure shows the undershoot and overshoot voltages at the interfaces of the MPC8313E.



**Note:**

1. Note that  $t_{interface}$  refers to the clock period associated with the bus clock interface.

**Figure 2. Overshoot/Undershoot Voltage for  $GV_{DD}/NV_{DD}/LV_{DD}$**

### 2.1.3 Output Driver Characteristics

This table provides information on the characteristics of the output driver strengths.

**Table 3. Output Drive Capability**

Driver Type	Output Impedance ( $\Omega$ )	Supply Voltage
Local bus interface utilities signals	42	$NV_{DD} = 3.3\text{ V}$
PCI signals	25	
DDR signal	18	$GV_{DD} = 2.5\text{ V}$

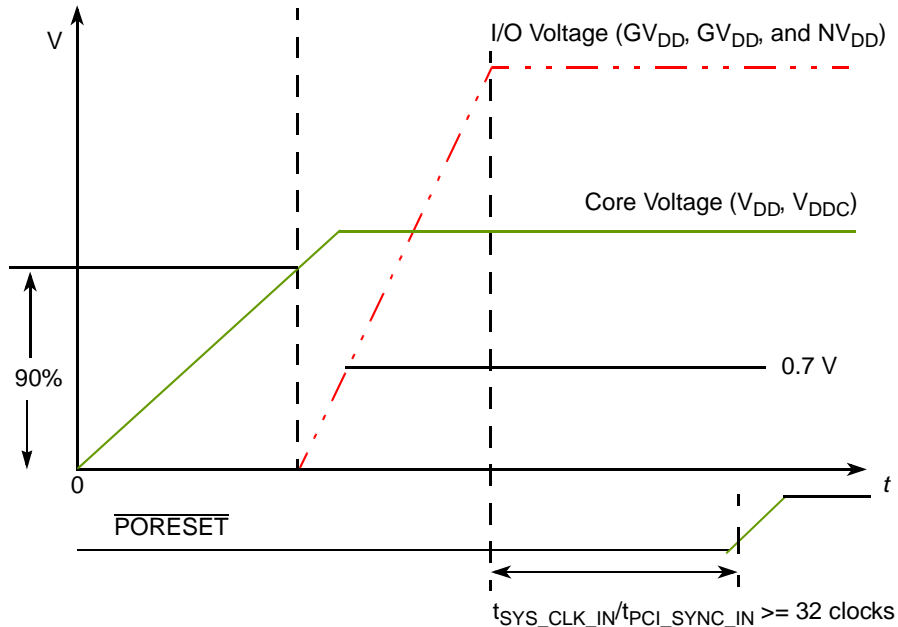
**Table 3. Output Drive Capability (continued)**

Driver Type	Output Impedance ( $\Omega$ )	Supply Voltage
DDR2 signal	18	$GV_{DD} = 1.8\text{ V}$
DUART, system control, I <sup>2</sup> C, JTAG, SPI	42	$NV_{DD} = 3.3\text{ V}$
GPIO signals	42	$NV_{DD} = 3.3\text{ V}$
eTSEC signals	42	$LV_{DDA}, LV_{ddb} = 2.5/3.3\text{ V}$
USB signals	42	$LV_{ddb} = 2.5/3.3\text{ V}$

## 2.2 Power Sequencing

The MPC8313E does not require the core supply voltage ( $V_{DD}$  and  $V_{DDC}$ ) and I/O supply voltages ( $GV_{DD}$ ,  $LV_{DD}$ , and  $NV_{DD}$ ) to be applied in any particular order. Note that during power ramp-up, before the power supplies are stable and if the I/O voltages are supplied before the core voltage, there might be a period of time that all input and output pins are actively driven and cause contention and excessive current. In order to avoid actively driving the I/O pins and to eliminate excessive current draw, apply the core voltage ( $V_{DD}$  and  $V_{DDC}$ ) before the I/O voltage ( $GV_{DD}$ ,  $LV_{DD}$ , and  $NV_{DD}$ ) and assert  $\overline{\text{PORESET}}$  before the power supplies fully ramp up. In the case where the core voltage is applied first, the core voltage supply must rise to 90% of its nominal value before the I/O supplies reach 0.7 V; see Figure 3. Once both the power supplies (I/O voltage and core voltage) are stable, wait for a minimum of 32 clock cycles before negating  $\overline{\text{PORESET}}$ .

Note that there is no specific power down sequence requirement for the MPC8313E. I/O voltage supplies ( $GV_{DD}$ ,  $LV_{DD}$ , and  $NV_{DD}$ ) do not have any ordering requirements with respect to one another.



**Figure 3. Power-Up Sequencing Example**

### 3 Power Characteristics

The estimated typical power dissipation, not including I/O supply power, for this family of MPC8313E devices is shown in this table. Table 5 shows the estimated typical I/O power dissipation.

**Table 4. MPC8313E Power Dissipation<sup>1</sup>**

Core Frequency (MHz)	CSB Frequency (MHz)	Typical <sup>2</sup>	Maximum for Rev. 1.0 Silicon <sup>3</sup>	Maximum for Rev. 2.x or Later Silicon <sup>3</sup>	Unit
333	167	820	1020	1200	mW
400	133	820	1020	1200	mW

**Note:**

1. The values do not include I/O supply power or  $AV_{DD}$ , but do include core, USB PLL, and a portion of SerDes digital power (not including  $XCOREV_{DD}$ ,  $XPADV_{DD}$ , or  $SDAV_{DD}$ , which all have dedicated power supplies for the SerDes PHY).
2. Typical power is based on a voltage of  $V_{DD} = 1.05$  V and an artificial smoker test running at room temperature.
3. Maximum power is based on a voltage of  $V_{DD} = 1.05$  V, a junction temperature of  $T_J = 105^\circ\text{C}$ , and an artificial smoker test.

This table describes a typical scenario where blocks with the stated percentage of utilization and impedances consume the amount of power described.

**Table 5. MPC8313E Typical I/O Power Dissipation**

Interface	Parameter	$GV_{DD}$ (1.8 V)	$GV_{DD}$ (2.5 V)	$NV_{DD}$ (3.3 V)	$LV_{DDA}/$ $LV_{DDB}$ (3.3 V)	$LV_{DDA}/$ $LV_{DDB}$ (2.5 V)	$LV_{DD}$ (3.3 V)	Unit	Comments
DDR 1, 60% utilization, 50% read/write $R_s = 22 \Omega$ $R_t = 50 \Omega$ single pair of clock capacitive load: data = 8 pF, control address = 8 pF, clock = 8 pF	333 MHz, 32 bits	—	0.355	—	—	—	—	W	—
	266 MHz, 32 bits	—	0.323	—	—	—	—	W	—
DDR 2, 60% utilization, 50% read/write $R_s = 22 \Omega$ $R_t = 75 \Omega$ single pair of clock capacitive load: data = 8 pF, control address = 8 pF, clock = 8 pF	333 MHz, 32 bits	0.266	—	—	—	—	—	W	—
	266 MHz, 32 bits	0.246	—	—	—	—	—	W	—
PCI I/O load = 50 pF	33 MHz	—	—	0.120	—	—	—	W	—
	66 MHz	—	—	0.249	—	—	—	W	—
Local bus I/O load = 20 pF	66 MHz	—	—	—	—	—	0.056	W	—
	50 MHz	—	—	—	—	—	0.040	W	—
TSEC I/O load = 20 pF	MII, 25 MHz	—	—	—	0.008	—	—	W	Multiple by number of interface used
	RGMII, 125 MHz	—	—	—	0.078	0.044	—	W	

**Table 5. MPC8313E Typical I/O Power Dissipation (continued)**

Interface	Parameter	GV <sub>DD</sub> (1.8 V)	GV <sub>DD</sub> (2.5 V)	NV <sub>DD</sub> (3.3 V)	LV <sub>DDA</sub> / LV <sub>DDB</sub> (3.3 V)	LV <sub>DDA</sub> / LV <sub>DDB</sub> (2.5 V)	LV <sub>DD</sub> (3.3 V)	Unit	Comments
USBDR controller load = 20 pF	60 MHz	—	—	—	0.078	—	—	W	—
Other I/O	—	—	—	0.015	—	—	—	W	—

This table shows the estimated core power dissipation of the MPC8313E while transitioning into the D3 warm low-power state.

**Table 6. MPC8313E Low-Power Modes Power Dissipation<sup>1</sup>**

333-MHz Core, 167-MHz CSB <sup>2</sup>	Rev. 1.0 <sup>3</sup>	Rev. 2.x or Later <sup>3</sup>	Unit
D3 warm	400	425	mW

**Note:**

1. All interfaces are enabled. For further power savings, disable the clocks to unused blocks.
2. The interfaces are run at the following frequencies: DDR: 333 MHz, eLBC 83 MHz, PCI 33 MHz, eTSEC1 and TSEC2: 167 MHz, SEC: 167 MHz, USB: 167 MHz. See the SCCR register for more information.
3. This is maximum power in D3 Warm based on a voltage of 1.05 V and a junction temperature of 105°C.

## 4 Clock Input Timing

This section provides the clock input DC and AC electrical characteristics for the MPC8313E.

### 4.1 DC Electrical Characteristics

This table provides the system clock input (SYS\_CLK\_IN/PCI\_SYNC\_IN) DC timing specifications for the MPC8313E.

**Table 7. SYS\_CLK\_IN DC Electrical Characteristics**

Parameter	Condition	Symbol	Min	Max	Unit
Input high voltage	—	V <sub>IH</sub>	2.4	NV <sub>DD</sub> + 0.3	V
Input low voltage	—	V <sub>IL</sub>	-0.3	0.4	V
SYS_CLK_IN input current	0 V ≤ V <sub>IN</sub> ≤ NV <sub>DD</sub>	I <sub>IN</sub>	—	±10	μA
PCI_SYNC_IN input current	0 V ≤ V <sub>IN</sub> ≤ 0.5 V or NV <sub>DD</sub> - 0.5 V ≤ V <sub>IN</sub> ≤ NV <sub>DD</sub>	I <sub>IN</sub>	—	±10	μA
PCI_SYNC_IN input current	0.5 V ≤ V <sub>IN</sub> ≤ NV <sub>DD</sub> - 0.5 V	I <sub>IN</sub>	—	±50	μA

## 4.2 AC Electrical Characteristics

The primary clock source for the MPC8313E can be one of two inputs, SYS\_CLK\_IN or PCI\_CLK, depending on whether the device is configured in PCI host or PCI agent mode. This table provides the system clock input (SYS\_CLK\_IN/PCI\_CLK) AC timing specifications for the MPC8313E.

**Table 8. SYS\_CLK\_IN AC Timing Specifications**

Parameter/Condition	Symbol	Min	Typ	Max	Unit	Note
SYS_CLK_IN/PCI_CLK frequency	$f_{\text{SYS\_CLK\_IN}}$	24	—	66.67	MHz	1
SYS_CLK_IN/PCI_CLK cycle time	$t_{\text{SYS\_CLK\_IN}}$	15	—	—	ns	—
SYS_CLK_IN rise and fall time	$t_{\text{KH}}, t_{\text{KL}}$	0.6	0.8	4	ns	2
PCI_CLK rise and fall time	$t_{\text{PCH}}, t_{\text{PCL}}$	0.6	0.8	1.2	ns	2
SYS_CLK_IN/PCI_CLK duty cycle	$t_{\text{KHK}}/t_{\text{SYS\_CLK\_IN}}$	40	—	60	%	3
SYS_CLK_IN/PCI_CLK jitter	—	—	—	±150	ps	4, 5

**Notes:**

- Caution:** The system, core, security block must not exceed their respective maximum or minimum operating frequencies.
- Rise and fall times for SYS\_CLK\_IN/PCI\_CLK are measured at 0.4 and 2.4 V.
- Timing is guaranteed by design and characterization.
- This represents the total input jitter—short term and long term—and is guaranteed by design.
- The SYS\_CLK\_IN/PCI\_CLK driver's closed loop jitter bandwidth should be <500 kHz at -20 dB. The bandwidth must be set low to allow cascade-connected PLL-based devices to track SYS\_CLK\_IN drivers with the specified jitter.

## 5 RESET Initialization

This section describes the DC and AC electrical specifications for the reset initialization timing and electrical requirements of the MPC8313E.

### 5.1 RESET DC Electrical Characteristics

This table provides the DC electrical characteristics for the RESET pins.

**Table 9. RESET Pins DC Electrical Characteristics**

Characteristic	Symbol	Condition	Min	Max	Unit
Input high voltage	$V_{\text{IH}}$	—	2.1	$NV_{\text{DD}} + 0.3$	V
Input low voltage	$V_{\text{IL}}$	—	-0.3	0.8	V
Input current	$I_{\text{IN}}$	$0 \text{ V} \leq V_{\text{IN}} \leq NV_{\text{DD}}$	—	±5	μA
Output high voltage	$V_{\text{OH}}$	$I_{\text{OH}} = -8.0 \text{ mA}$	2.4	—	V
Output low voltage	$V_{\text{OL}}$	$I_{\text{OL}} = 8.0 \text{ mA}$	—	0.5	V
Output low voltage	$V_{\text{OL}}$	$I_{\text{OL}} = 3.2 \text{ mA}$	—	0.4	V

## 5.2 RESET AC Electrical Characteristics

This table provides the reset initialization AC timing specifications.

**Table 10. RESET Initialization Timing Specifications**

Parameter/Condition	Min	Max	Unit	Note
Required assertion time of $\overline{\text{HRESET}}$ or $\overline{\text{SRESET}}$ (input) to activate reset flow	32	—	$t_{\text{PCI\_SYNC\_IN}}$	1
Required assertion time of $\overline{\text{PORESET}}$ with stable clock and power applied to SYS_CLK_IN when the device is in PCI host mode	32	—	$t_{\text{SYS\_CLK\_IN}}$	2
Required assertion time of $\overline{\text{PORESET}}$ with stable clock and power applied to PCI_SYNC_IN when the device is in PCI agent mode	32	—	$t_{\text{PCI\_SYNC\_IN}}$	1
$\overline{\text{HRESET}}$ assertion (output)	512	—	$t_{\text{PCI\_SYNC\_IN}}$	1
Input setup time for POR configuration signals (CFG_RESET_SOURCE[0:3] and CFG_CLK_IN_DIV) with respect to negation of $\overline{\text{PORESET}}$ when the device is in PCI host mode	4	—	$t_{\text{SYS\_CLK\_IN}}$	2
Input setup time for POR configuration signals (CFG_RESET_SOURCE[0:2] and CFG_CLKIN_DIV) with respect to negation of $\overline{\text{PORESET}}$ when the device is in PCI agent mode	4	—	$t_{\text{PCI\_SYNC\_IN}}$	1
Input hold time for POR configuration signals with respect to negation of $\overline{\text{HRESET}}$	0	—	ns	—
Time for the device to turn off POR configuration signal drivers with respect to the assertion of $\overline{\text{HRESET}}$	—	4	ns	3
Time for the device to turn on POR configuration signal drivers with respect to the negation of $\overline{\text{HRESET}}$	1	—	$t_{\text{PCI\_SYNC\_IN}}$	1, 3

**Notes:**

- $t_{\text{PCI\_SYNC\_IN}}$  is the clock period of the input clock applied to PCI\_SYNC\_IN. When the device is in PCI host mode the primary clock is applied to the SYS\_CLK\_IN input, and PCI\_SYNC\_IN period depends on the value of CFG\_CLKIN\_DIV.
- $t_{\text{SYS\_CLK\_IN}}$  is the clock period of the input clock applied to SYS\_CLK\_IN. It is only valid when the device is in PCI host mode.
- POR configuration signals consists of CFG\_RESET\_SOURCE[0:2] and CFG\_CLKIN\_DIV.

This table provides the PLL lock times.

**Table 11. PLL Lock Times**

Parameter/Condition	Min	Max	Unit	Note
PLL lock times	—	100	$\mu\text{s}$	—

## 6 DDR and DDR2 SDRAM

This section describes the DC and AC electrical specifications for the DDR SDRAM interface. Note that DDR SDRAM is  $\text{GV}_{\text{DD}}(\text{typ}) = 2.5 \text{ V}$  and DDR2 SDRAM is  $\text{GV}_{\text{DD}}(\text{typ}) = 1.8 \text{ V}$ .

## 6.1 DDR and DDR2 SDRAM DC Electrical Characteristics

This table provides the recommended operating conditions for the DDR2 SDRAM component(s) when  $GV_{DD}(typ) = 1.8\text{ V}$ .

**Table 12. DDR2 SDRAM DC Electrical Characteristics for  $GV_{DD}(typ) = 1.8\text{ V}$**

Parameter/Condition	Symbol	Min	Max	Unit	Note
I/O supply voltage	$GV_{DD}$	1.7	1.9	V	1
I/O reference voltage	$MV_{REF}$	$0.49 \times GV_{DD}$	$0.51 \times GV_{DD}$	V	2
I/O termination voltage	$V_{TT}$	$MV_{REF} - 0.04$	$MV_{REF} + 0.04$	V	3
Input high voltage	$V_{IH}$	$MV_{REF} + 0.125$	$GV_{DD} + 0.3$	V	—
Input low voltage	$V_{IL}$	-0.3	$MV_{REF} - 0.125$	V	—
Output leakage current	$I_{OZ}$	-9.9	9.9	$\mu\text{A}$	4
Output high current ( $V_{OUT} = 1.420\text{ V}$ )	$I_{OH}$	-13.4	—	mA	—
Output low current ( $V_{OUT} = 0.280\text{ V}$ )	$I_{OL}$	13.4	—	mA	—

**Notes:**

- $GV_{DD}$  is expected to be within 50 mV of the DRAM  $GV_{DD}$  at all times.
- $MV_{REF}$  is expected to be equal to  $0.5 \times GV_{DD}$ , and to track  $GV_{DD}$  DC variations as measured at the receiver. Peak-to-peak noise on  $MV_{REF}$  may not exceed  $\pm 2\%$  of the DC value.
- $V_{TT}$  is not applied directly to the device. It is the supply to which far end signal termination is made and is expected to be equal to  $MV_{REF}$ . This rail should track variations in the DC level of  $MV_{REF}$ .
- Output leakage is measured with all outputs disabled,  $0\text{ V} \leq V_{OUT} \leq GV_{DD}$ .

This table provides the DDR2 capacitance when  $GV_{DD}(typ) = 1.8\text{ V}$ .

**Table 13. DDR2 SDRAM Capacitance for  $GV_{DD}(typ) = 1.8\text{ V}$**

Parameter/Condition	Symbol	Min	Max	Unit	Note
Input/output capacitance: DQ, DQS, $\overline{DQS}$	$C_{IO}$	6	8	pF	1
Delta input/output capacitance: DQ, DQS, $\overline{DQS}$	$C_{DIO}$	—	0.5	pF	1

**Note:**

- This parameter is sampled.  $GV_{DD} = 1.8\text{ V} \pm 0.090\text{ V}$ ,  $f = 1\text{ MHz}$ ,  $T_A = 25^\circ\text{C}$ ,  $V_{OUT} = GV_{DD}/2$ ,  $V_{OUT}$  (peak-to-peak) = 0.2 V.

This table provides the recommended operating conditions for the DDR SDRAM component(s) when  $GV_{DD}(typ) = 2.5\text{ V}$ .

**Table 14. DDR SDRAM DC Electrical Characteristics for  $GV_{DD}(typ) = 2.5\text{ V}$**

Parameter/Condition	Symbol	Min	Max	Unit	Note
I/O supply voltage	$GV_{DD}$	2.3	2.7	V	1
I/O reference voltage	$MV_{REF}$	$0.49 \times GV_{DD}$	$0.51 \times GV_{DD}$	V	2
I/O termination voltage	$V_{TT}$	$MV_{REF} - 0.04$	$MV_{REF} + 0.04$	V	3
Input high voltage	$V_{IH}$	$MV_{REF} + 0.15$	$GV_{DD} + 0.3$	V	—
Input low voltage	$V_{IL}$	-0.3	$MV_{REF} - 0.15$	V	—

**Table 14. DDR SDRAM DC Electrical Characteristics for  $GV_{DD}(typ) = 2.5\text{ V}$  (continued)**

Parameter/Condition	Symbol	Min	Max	Unit	Note
Output leakage current	$I_{OZ}$	-9.9	-9.9	$\mu\text{A}$	4
Output high current ( $V_{OUT} = 1.95\text{ V}$ )	$I_{OH}$	-16.2	—	$\text{mA}$	—
Output low current ( $V_{OUT} = 0.35\text{ V}$ )	$I_{OL}$	16.2	—	$\text{mA}$	—

**Note:**

- $GV_{DD}$  is expected to be within 50 mV of the DRAM  $GV_{DD}$  at all times.
- $MV_{REF}$  is expected to be equal to  $0.5 \times GV_{DD}$ , and to track  $GV_{DD}$  DC variations as measured at the receiver. Peak-to-peak noise on  $MV_{REF}$  may not exceed  $\pm 2\%$  of the DC value.
- $V_{TT}$  is not applied directly to the device. It is the supply to which far end signal termination is made and is expected to be equal to  $MV_{REF}$ . This rail should track variations in the DC level of  $MV_{REF}$ .
- Output leakage is measured with all outputs disabled,  $0\text{ V} \leq V_{OUT} \leq GV_{DD}$ .

This table provides the DDR capacitance when  $GV_{DD}(typ) = 2.5\text{ V}$ .

**Table 15. DDR SDRAM Capacitance for  $GV_{DD}(typ) = 2.5\text{ V}$**

Parameter/Condition	Symbol	Min	Max	Unit	Note
Input/output capacitance: DQ, DQS	$C_{IO}$	6	8	$\text{pF}$	1
Delta input/output capacitance: DQ, DQS	$C_{DIO}$	—	0.5	$\text{pF}$	1

**Note:**

- This parameter is sampled.  $GV_{DD} = 2.5\text{ V} \pm 0.125\text{ V}$ ,  $f = 1\text{ MHz}$ ,  $T_A = 25^\circ\text{C}$ ,  $V_{OUT} = GV_{DD}/2$ ,  $V_{OUT}$  (peak-to-peak) = 0.2 V.

This table provides the current draw characteristics for  $MV_{REF}$ .

**Table 16. Current Draw Characteristics for  $MV_{REF}$**

Parameter/Condition	Symbol	Min	Max	Unit	Note
Current draw for $MV_{REF}$	$I_{MVREF}$	—	500	$\mu\text{A}$	1

**Note:**

- The voltage regulator for  $MV_{REF}$  must be able to supply up to 500  $\mu\text{A}$  current.

## 6.2 DDR and DDR2 SDRAM AC Electrical Characteristics

This section provides the AC electrical characteristics for the DDR SDRAM interface.

### 6.2.1 DDR and DDR2 SDRAM Input AC Timing Specifications

This table provides the input AC timing specifications for the DDR2 SDRAM when  $GV_{DD}(typ) = 1.8\text{ V}$ .

**Table 17. DDR2 SDRAM Input AC Timing Specifications for 1.8-V Interface**

At recommended operating conditions with  $GV_{DD}$  of  $1.8 \pm 5\%$ .

Parameter	Symbol	Min	Max	Unit	Note
AC input low voltage	$V_{IL}$	—	$MV_{REF} - 0.25$	V	—
AC input high voltage	$V_{IH}$	$MV_{REF} + 0.25$	—	V	—



This table provides the input AC timing specifications for the DDR SDRAM when  $GV_{DD}(\text{typ}) = 2.5 \text{ V}$ .

**Table 18. DDR SDRAM Input AC Timing Specifications for 2.5-V Interface**

At recommended operating conditions with  $GV_{DD}$  of  $2.5 \pm 5\%$ .

Parameter	Symbol	Min	Max	Unit	Note
AC input low voltage	$V_{IL}$	—	$MV_{REF} - 0.31$	V	—
AC input high voltage	$V_{IH}$	$MV_{REF} + 0.31$	—	V	—

This table provides the input AC timing specifications for the DDR2 SDRAM interface.

**Table 19. DDR and DDR2 SDRAM Input AC Timing Specifications**

At recommended operating conditions, with  $GV_{DD}$  of  $2.5 \pm 5\%$ .

Parameter	Symbol	Min	Max	Unit	Note
Controller skew for MDQS—MDQ	$t_{CISKEW}$	—	—	ps	1, 2
333 MHz	—	-750	750	—	—
266 MHz	—	-750	750	—	—

**Notes:**

- $t_{CISKEW}$  represents the total amount of skew consumed by the controller between MDQS[n] and any corresponding bit that is captured with MDQS[n]. This should be subtracted from the total timing budget.
- The amount of skew that can be tolerated from MDQS to a corresponding MDQ signal is called  $t_{DISKEW}$ . This can be determined by the following equation:  $t_{DISKEW} = \pm (T/4 - \text{abs}(t_{CISKEW}))$  where T is the clock period and  $\text{abs}(t_{CISKEW})$  is the absolute value of  $t_{CISKEW}$ .

This figure illustrates the DDR input timing diagram showing the  $t_{DISKEW}$  timing parameter.



**Figure 4. DDR Input Timing Diagram**

## 6.2.2 DDR and DDR2 SDRAM Output AC Timing Specifications

Table 20. DDR and DDR2 SDRAM Output AC Timing Specifications for Rev. 1.0 Silicon

Parameter	Symbol <sup>1</sup>	Min	Max	Unit	Note
MCK[n] cycle time, MCK[n]/ $\overline{\text{MCK}}[n]$ crossing	$t_{\text{MCK}}$	6	10	ns	2
ADDR/CMD output setup with respect to MCK 333 MHz 266 MHz	$t_{\text{DDKHAS}}$	2.1 2.5	— —	ns	3
ADDR/CMD output hold with respect to MCK 333 MHz 266 MHz	$t_{\text{DDKHAX}}$	2.4 3.15	— —	ns	3
$\overline{\text{MCS}}[n]$ output setup with respect to MCK 333 MHz 266 MHz	$t_{\text{DDKHCS}}$	2.4 3.15	— —	ns	3
$\overline{\text{MCS}}[n]$ output hold with respect to MCK 333 MHz 266 MHz	$t_{\text{DDKHGX}}$	2.4 3.15	— —	ns	3
MCK to MDQS Skew	$t_{\text{DDKMHM}}$	-0.6	0.6	ns	4
MDQ/MDM output setup with respect to MDQS 333 MHz 266 MHz	$t_{\text{DDKHDS}}$ , $t_{\text{DDKLDS}}$	800 900	— —	ps	5
MDQ/MDM output hold with respect to MDQS 333 MHz 266 MHz	$t_{\text{DDKHDX}}$ , $t_{\text{DDKLDX}}$	900 1100	— —	ps	5
MDQS preamble start	$t_{\text{DDKHMP}}$	$-0.5 \times t_{\text{MCK}} - 0.6$	$-0.5 \times t_{\text{MCK}} + 0.6$	ns	6
MDQS epilogue end	$t_{\text{DDKHME}}$	-0.6	0.6	ns	6

### Notes:

- The symbols used for timing specifications follow the pattern of  $t_{(\text{first two letters of functional block})(\text{signal})(\text{state})(\text{reference})(\text{state})}$  for inputs and  $t_{(\text{first two letters of functional block})(\text{reference})(\text{state})(\text{signal})(\text{state})}$  for outputs. Output hold time can be read as DDR timing (DD) from the rising or falling edge of the reference clock (KH or KL) until the output went invalid (AX or DX). For example,  $t_{\text{DDKHAS}}$  symbolizes DDR timing (DD) for the time  $t_{\text{MCK}}$  memory clock reference (K) goes from the high (H) state until outputs (A) are setup (S) or output valid time. Also,  $t_{\text{DDKLDX}}$  symbolizes DDR timing (DD) for the time  $t_{\text{MCK}}$  memory clock reference (K) goes low (L) until data outputs (D) are invalid (X) or data output hold time.
- All MCK/ $\overline{\text{MCK}}$  referenced measurements are made from the crossing of the two signals  $\pm 0.1$  V.
- ADDR/CMD includes all DDR SDRAM output signals except MCK/ $\overline{\text{MCK}}$ ,  $\overline{\text{MCS}}$ , and MDQ/MDM/MDQS.
- Note that  $t_{\text{DDKMHM}}$  follows the symbol conventions described in note 1. For example,  $t_{\text{DDKMHM}}$  describes the DDR timing (DD) from the rising edge of the MCK[n] clock (KH) until the MDQS signal is valid (MH).  $t_{\text{DDKMHM}}$  can be modified through control of the DQSS override bits in the TIMING\_CFG\_2 register. This is typically set to the same delay as the clock adjust in the CLK\_CNTL register. The timing parameters listed in the table assume that these 2 parameters have been set to the same adjustment value. See the *MPC8313E PowerQUICC II Pro Integrated Processor Family Reference Manual*, for a description and understanding of the timing modifications enabled by use of these bits.
- Determined by maximum possible skew between a data strobe (MDQS) and any corresponding bit of data (MDQ), ECC (MECC), or data mask (MDM). The data strobe should be centered inside of the data eye at the pins of the microprocessor.
- All outputs are referenced to the rising edge of MCK[n] at the pins of the microprocessor. Note that  $t_{\text{DDKHMP}}$  follows the symbol conventions described in note 1.

**Table 21. DDR and DDR2 SDRAM Output AC Timing Specifications for Silicon Rev 2.x or Later**

Parameter	Symbol <sup>1</sup>	Min	Max	Unit	Note
MCK[n] cycle time, MCK[n]/MCK[n] crossing	$t_{MCK}$	6	10	ns	2
ADDR/CMD output setup with respect to MCK 333 MHz 266 MHz	$t_{DDKHAS}$	2.1 2.5	— —	ns	3
ADDR/CMD output hold with respect to MCK 333 MHz 266 MHz	$t_{DDKHAX}$	2.0 2.7	— —	ns	3
MCS[n] output setup with respect to MCK 333 MHz 266 MHz	$t_{DDKHCS}$	2.1 3.15	— —	ns	3
MCS[n] output hold with respect to MCK 333 MHz 266 MHz	$t_{DDKHCSX}$	2.0 2.7	— —	ns	3
MCK to MDQS Skew	$t_{DDKMHM}$	-0.6	0.6	ns	4
MDQ/MDM output setup with respect to MDQS 333 MHz 266 MHz	$t_{DDKHDS}$ , $t_{DDKLDS}$	800 900	— —	ps	5
MDQ/MDM output hold with respect to MDQS 333 MHz 266 MHz	$t_{DDKHDX}$ , $t_{DDKLDX}$	750 1000	— —	ps	5
MDQS preamble start	$t_{DDKHMP}$	$-0.5 \times t_{MCK} - 0.6$	$-0.5 \times t_{MCK} + 0.6$	ns	6
MDQS epilogue end	$t_{DDKHME}$	-0.6	0.6	ns	6

**Notes:**

1. The symbols used for timing specifications follow the pattern of  $t_{(\text{first two letters of functional block})(\text{signal})(\text{state})(\text{reference})(\text{state})}$  for inputs and  $t_{(\text{first two letters of functional block})(\text{reference})(\text{state})(\text{signal})(\text{state})}$  for outputs. Output hold time can be read as DDR timing (DD) from the rising or falling edge of the reference clock (KH or KL) until the output went invalid (AX or DX). For example,  $t_{DDKHAS}$  symbolizes DDR timing (DD) for the time  $t_{MCK}$  memory clock reference (K) goes from the high (H) state until outputs (A) are setup (S) or output valid time. Also,  $t_{DDKLDS}$  symbolizes DDR timing (DD) for the time  $t_{MCK}$  memory clock reference (K) goes low (L) until data outputs (D) are invalid (X) or data output hold time.
2. All MCK/MCK referenced measurements are made from the crossing of the two signals  $\pm 0.1$  V.
3. ADDR/CMD includes all DDR SDRAM output signals except MCK/MCK, MCS, and MDQ/MDM/MDQS.
4. Note that  $t_{DDKMHM}$  follows the symbol conventions described in note 1. For example,  $t_{DDKMHM}$  describes the DDR timing (DD) from the rising edge of the MCK[n] clock (KH) until the MDQS signal is valid (MH).  $t_{DDKMHM}$  can be modified through control of the DQSS override bits in the TIMING\_CFG\_2 register. This is typically set to the same delay as the clock adjust in the CLK\_CNTL register. The timing parameters listed in the table assume that these 2 parameters have been set to the same adjustment value. See the *MPC8313E PowerQUICC II Pro Integrated Processor Family Reference Manual*, for a description and understanding of the timing modifications enabled by use of these bits.
5. Determined by maximum possible skew between a data strobe (MDQS) and any corresponding bit of data (MDQ), ECC (MECC), or data mask (MDM). The data strobe should be centered inside of the data eye at the pins of the microprocessor.
6. All outputs are referenced to the rising edge of MCK[n] at the pins of the microprocessor. Note that  $t_{DDKHMP}$  follows the symbol conventions described in note 1.

### NOTE

For the ADDR/CMD setup and hold specifications in [Table 21](#), it is assumed that the clock control register is set to adjust the memory clocks by 1/2 applied cycle.

This figure shows the DDR SDRAM output timing for the MCK to MDQS skew measurement ( $t_{DDKHMH}$ ).

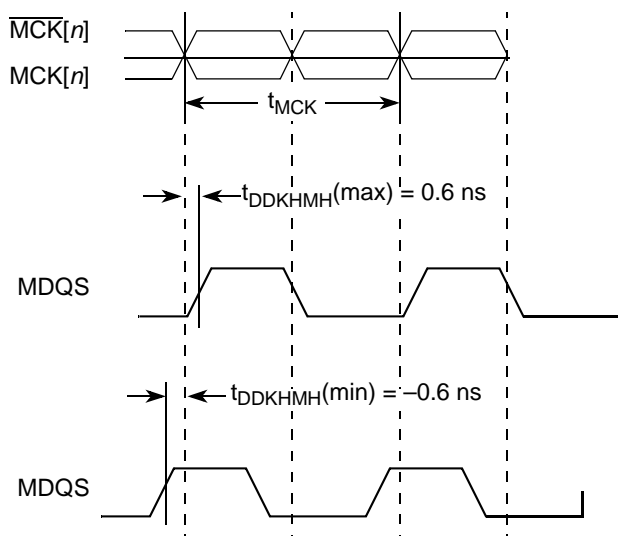


Figure 5. Timing Diagram for  $t_{DDKHMH}$

This figure shows the DDR and DDR2 SDRAM output timing diagram.

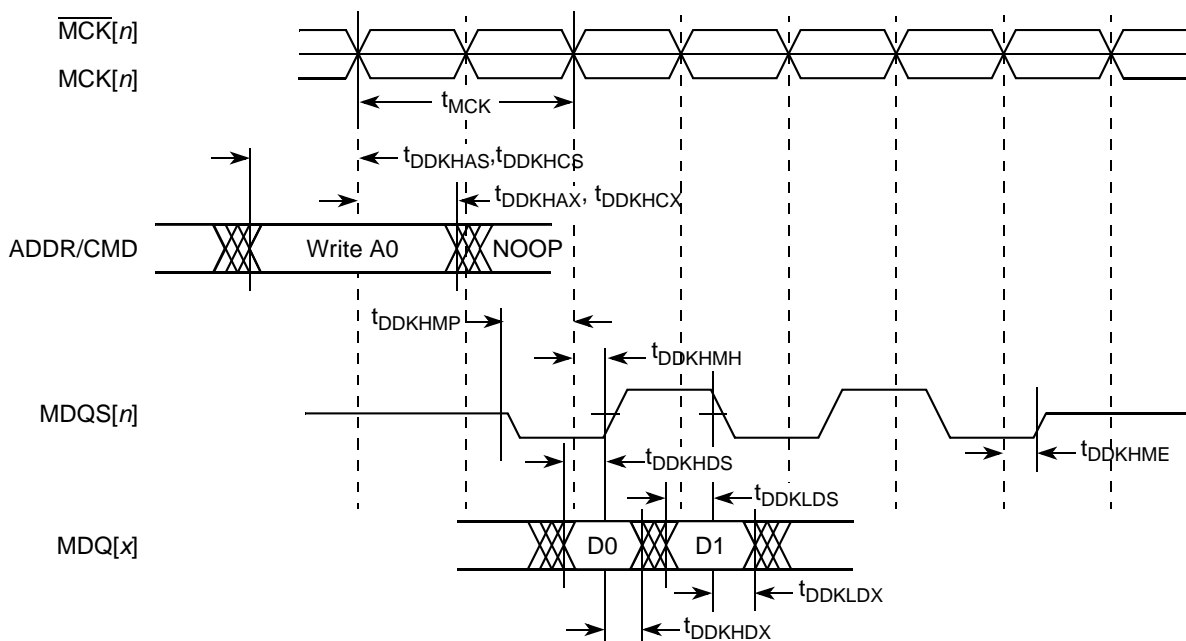


Figure 6. DDR and DDR2 SDRAM Output Timing Diagram

This figure provides the AC test load for the DDR bus.



Figure 7. DDR AC Test Load

## 7 DUART

This section describes the DC and AC electrical specifications for the DUART interface.

### 7.1 DUART DC Electrical Characteristics

This table provides the DC electrical characteristics for the DUART interface.

Table 22. DUART DC Electrical Characteristics

Parameter	Symbol	Min	Max	Unit
High-level input voltage	$V_{IH}$	2.0	$NV_{DD} + 0.3$	V
Low-level input voltage $NV_{DD}$	$V_{IL}$	-0.3	0.8	V
High-level output voltage, $I_{OH} = -100 \mu A$	$V_{OH}$	$NV_{DD} - 0.2$	—	V
Low-level output voltage, $I_{OL} = 100 \mu A$	$V_{OL}$	—	0.2	V
Input current ( $0 V \leq V_{IN} \leq NV_{DD}$ )	$I_{IN}$	—	$\pm 5$	$\mu A$

### 7.2 DUART AC Electrical Specifications

This table provides the AC timing parameters for the DUART interface.

Table 23. DUART AC Timing Specifications

Parameter	Value	Unit	Note
Minimum baud rate	256	baud	—
Maximum baud rate	> 1,000,000	baud	1
Oversample rate	16	—	2

**Notes:**

- Actual attainable baud rate is limited by the latency of interrupt processing.
- The middle of a start bit is detected as the 8<sup>th</sup> sampled 0 after the 1-to-0 transition of the start bit. Subsequent bit values are sampled each 16<sup>th</sup> sample.

## 8 Ethernet: Three-Speed Ethernet, MII Management

This section provides the AC and DC electrical characteristics for three-speed, 10/100/1000, and MII management.

## 8.1 Enhanced Three-Speed Ethernet Controller (eTSEC) (10/100/1000 Mbps)—MII/RMII/RGMII/SGMII/RTBI Electrical Characteristics

The electrical characteristics specified here apply to all the media independent interface (MII), reduced gigabit media independent interface (RGMII), serial gigabit media independent interface (SGMII), and reduced ten-bit interface (RTBI) signals except management data input/output (MDIO) and management data clock (MDC). The RGMII and RTBI interfaces are defined for 2.5 V, while the MII interface can be operated at 3.3 V. The RMII and SGMII interfaces can be operated at either 3.3 or 2.5 V. The RGMII and RTBI interfaces follow the Hewlett-Packard reduced pin-count interface for *Gigabit Ethernet Physical Layer Device Specification Version 1.2a* (9/22/2000). The electrical characteristics for MDIO and MDC are specified in [Section 8.5, “Ethernet Management Interface Electrical Characteristics.”](#)

### 8.1.1 TSEC DC Electrical Characteristics

All RGMII, RMII, and RTBI drivers and receivers comply with the DC parametric attributes specified in [Table 24](#) and [Table 25](#). The RGMII and RTBI signals are based on a 2.5-V CMOS interface voltage as defined by JEDEC EIA/JESD8-5.

#### NOTE

eTSEC should be interfaced with peripheral operating at same voltage level.

**Table 24. MII DC Electrical Characteristics**

Parameter	Symbol	Conditions		Min	Max	Unit
Supply voltage 3.3 V	LV <sub>DDA</sub> /LV <sub>DDB</sub>	—		2.97	3.63	V
Output high voltage	V <sub>OH</sub>	I <sub>OH</sub> = -4.0 mA	LV <sub>DDA</sub> or LV <sub>DDB</sub> = Min	2.40	LV <sub>DDA</sub> + 0.3 or LV <sub>DDB</sub> + 0.3	V
Output low voltage	V <sub>OL</sub>	I <sub>OL</sub> = 4.0 mA	LV <sub>DDA</sub> or LV <sub>DDB</sub> = Min	V <sub>SS</sub>	0.50	V
Input high voltage	V <sub>IH</sub>	—	—	2.0	LV <sub>DDA</sub> + 0.3 or LV <sub>DDB</sub> + 0.3	V
Input low voltage	V <sub>IL</sub>	—	—	-0.3	0.90	V
Input high current	I <sub>IH</sub>	V <sub>IN</sub> <sup>1</sup> = LV <sub>DDA</sub> or LV <sub>DDB</sub>		—	40	μA
Input low current	I <sub>IL</sub>	V <sub>IN</sub> <sup>1</sup> = V <sub>SS</sub>		-600	—	μA

#### Note:

1. The symbol V<sub>IN</sub>, in this case, represents the LV<sub>IN</sub> symbol referenced in [Table 1](#) and [Table 2](#).

**Table 25. RGMII/RTBI DC Electrical Characteristics**

Parameters	Symbol	Conditions	Min	Max	Unit
Supply voltage 2.5 V	LV <sub>DDA</sub> /LV <sub>DDB</sub>	—	2.37	2.63	V

**Table 25. RGMII/RTBI DC Electrical Characteristics (continued)**

Parameters	Symbol	Conditions		Min	Max	Unit
Output high voltage	$V_{OH}$	$I_{OH} = -1.0 \text{ mA}$	$LV_{DDA}$ or $LV_{DDB} = \text{Min}$	2.00	$LV_{DDA} + 0.3$ or $LV_{DDB} + 0.3$	V
Output low voltage	$V_{OL}$	$I_{OL} = 1.0 \text{ mA}$	$LV_{DDA}$ or $LV_{DDB} = \text{Min}$	$V_{SS} - 0.3$	0.40	V
Input high voltage	$V_{IH}$	—	$LV_{DDA}$ or $LV_{DDB} = \text{Min}$	1.7	$LV_{DDA} + 0.3$ or $LV_{DDB} + 0.3$	V
Input low voltage	$V_{IL}$	—	$LV_{DDA}$ or $LV_{DDB} = \text{Min}$	-0.3	0.70	V
Input high current	$I_{IH}$	$V_{IN}^1 = LV_{DDA}$ or $LV_{DDB}$		—	10	$\mu\text{A}$
Input low current	$I_{IL}$	$V_{IN}^1 = V_{SS}$		-15	—	$\mu\text{A}$

**Note:**

- Note that the symbol  $V_{IN}$ , in this case, represents the  $LV_{IN}$  symbol referenced in [Table 1](#) and [Table 2](#).

## 8.2 MII, RGMII, and RTBI AC Timing Specifications

The AC timing specifications for MII, RMII, RGMII, and RTBI are presented in this section.

### 8.2.1 MII AC Timing Specifications

This section describes the MII transmit and receive AC timing specifications.

#### 8.2.1.1 MII Transmit AC Timing Specifications

This table provides the MII transmit AC timing specifications.

**Table 26. MII Transmit AC Timing Specifications**

At recommended operating conditions with  $LV_{DDA}/LV_{DDB}/NV_{DD}$  of  $3.3 \text{ V} \pm 0.3 \text{ V}$ .

Parameter/Condition	Symbol <sup>1</sup>	Min	Typ	Max	Unit
TX_CLK clock period 10 Mbps	$t_{MTX}$	—	400	—	ns
TX_CLK clock period 100 Mbps	$t_{MTX}$	—	40	—	ns
TX_CLK duty cycle	$t_{MTXH}/t_{MTX}$	35	—	65	%
TX_CLK to MII data TXD[3:0], TX_ER, TX_EN delay	$t_{MTKHDX}$	1	5	15	ns
TX_CLK data clock rise $V_{IL}(\text{min})$ to $V_{IH}(\text{max})$	$t_{MTXR}$	1.0	—	4.0	ns
TX_CLK data clock fall $V_{IH}(\text{max})$ to $V_{IL}(\text{min})$	$t_{MTXF}$	1.0	—	4.0	ns

**Note:**

- The symbols used for timing specifications follow the pattern of  $t_{(\text{first two letters of functional block})(\text{signal})(\text{state})(\text{reference})(\text{state})}$  for inputs and  $t_{(\text{first two letters of functional block})(\text{reference})(\text{state})(\text{signal})(\text{state})}$  for outputs. For example,  $t_{MTKHDX}$  symbolizes MII transmit timing (MT) for the time  $t_{MTX}$  clock reference (K) going high (H) until data outputs (D) are invalid (X). Note that, in general, the clock reference symbol representation is based on two to three letters representing the clock of a particular functional. For example, the subscript of  $t_{MTX}$  represents the MII(M) transmit (TX) clock. For rise and fall times, the latter convention is used with the appropriate letter: R (rise) or F (fall).

This figure shows the MII transmit AC timing diagram.



Figure 8. MII Transmit AC Timing Diagram

### 8.2.1.2 MII Receive AC Timing Specifications

This table provides the MII receive AC timing specifications.

Table 27. MII Receive AC Timing Specifications

At recommended operating conditions with LV<sub>DDA</sub>/LV<sub>ddb</sub>/NV<sub>DD</sub> of 3.3 V ± 0.3 V.

Parameter/Condition	Symbol <sup>1</sup>	Min	Typ	Max	Unit
RX_CLK clock period 10 Mbps	$t_{MRX}$	—	400	—	ns
RX_CLK clock period 100 Mbps	$t_{MRX}$	—	40	—	ns
RX_CLK duty cycle	$t_{MRXH}/t_{MRX}$	35	—	65	%
RXD[3:0], RX_DV, RX_ER setup time to RX_CLK	$t_{MRDVKH}$	10.0	—	—	ns
RXD[3:0], RX_DV, RX_ER hold time to RX_CLK	$t_{MRDXKH}$	10.0	—	—	ns
RX_CLK clock rise $V_{IL}(\text{min})$ to $V_{IH}(\text{max})$	$t_{MRXR}$	1.0	—	4.0	ns
RX_CLK clock fall time $V_{IH}(\text{max})$ to $V_{IL}(\text{min})$	$t_{MRXF}$	1.0	—	4.0	ns

**Note:**

- The symbols used for timing specifications follow the pattern of  $t_{(\text{first two letters of functional block})(\text{signal})(\text{state})(\text{reference})(\text{state})}$  for inputs and  $t_{(\text{first two letters of functional block})(\text{reference})(\text{state})(\text{signal})(\text{state})}$  for outputs. For example,  $t_{MRDVKH}$  symbolizes MII receive timing (MR) with respect to the time data input signals (D) reach the valid state (V) relative to the  $t_{MRX}$  clock reference (K) going to the high (H) state or setup time. Also,  $t_{MRDXKL}$  symbolizes MII receive timing (GR) with respect to the time data input signals (D) went invalid (X) relative to the  $t_{MRX}$  clock reference (K) going to the low (L) state or hold time. Note that, in general, the clock reference symbol representation is based on three letters representing the clock of a particular functional. For example, the subscript of  $t_{MRX}$  represents the MII (M) receive (RX) clock. For rise and fall times, the latter convention is used with the appropriate letter: R (rise) or F (fall).
- The frequency of RX\_CLK should not exceed the TX\_CLK by more than 300 ppm

This figure provides the AC test load for TSEC.

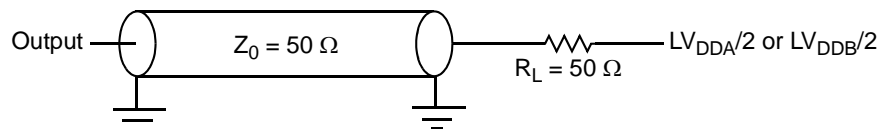


Figure 9. TSEC AC Test Load



This figure shows the MII receive AC timing diagram.

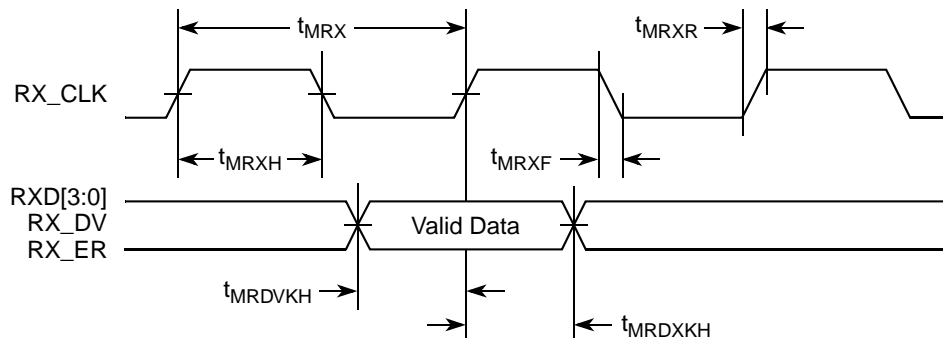


Figure 10. MII Receive AC Timing Diagram RMII AC Timing Specifications

### 8.2.1.3 RMII Transmit AC Timing Specifications

This table provides the RMII transmit AC timing specifications.

**Table 28. RMII Transmit AC Timing Specifications**

At recommended operating conditions with  $NV_{DD}$  of  $3.3\text{ V} \pm 0.3\text{ V}$ .

Parameter/Condition	Symbol <sup>1</sup>	Min	Typ	Max	Unit
REF_CLK clock	$t_{RMX}$	—	20	—	ns
REF_CLK duty cycle	$t_{RMXH}/t_{RMX}$	35	—	65	%
REF_CLK to RMII data TXD[1:0], TX_EN delay	$t_{RMTKHDX}$	2	—	10	ns
REF_CLK data clock rise $V_{IL}(\text{min})$ to $V_{IH}(\text{max})$	$t_{RMXR}$	1.0	—	4.0	ns
REF_CLK data clock fall $V_{IH}(\text{max})$ to $V_{IL}(\text{min})$	$t_{RMXF}$	1.0	—	4.0	ns

**Note:**

- The symbols used for timing specifications follow the pattern of  $t_{(\text{first three letters of functional block})(\text{signal})(\text{state})(\text{reference})(\text{state})}$  for inputs and  $t_{(\text{first two letters of functional block})(\text{reference})(\text{state})(\text{signal})(\text{state})}$  for outputs. For example,  $t_{RMTKHDX}$  symbolizes RMII transmit timing (RMT) for the time  $t_{RMX}$  clock reference (K) going high (H) until data outputs (D) are invalid (X). Note that, in general, the clock reference symbol representation is based on two to three letters representing the clock of a particular functional. For example, the subscript of  $t_{RMX}$  represents the RMII(RM) reference (X) clock. For rise and fall times, the latter convention is used with the appropriate letter: R (rise) or F (fall).

This figure shows the RMII transmit AC timing diagram.

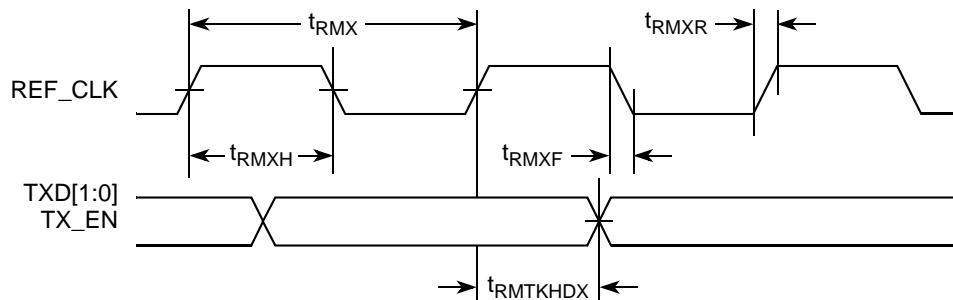


Figure 11. RMII Transmit AC Timing Diagram

## 8.2.1.4 RMI Receive AC Timing Specifications

This table provides the RMI receive AC timing specifications.

**Table 29. RMI Receive AC Timing Specifications**

At recommended operating conditions with  $NV_{DD}$  of  $3.3\text{ V} \pm 0.3\text{ V}$ .

Parameter/Condition	Symbol <sup>1</sup>	Min	Typ	Max	Unit
REF_CLK clock period	$t_{RMX}$	—	20	—	ns
REF_CLK duty cycle	$t_{RMXH}/t_{RMX}$	35	—	65	%
RXD[1:0], CRS_DV, RX_ER setup time to REF_CLK	$t_{RMRDVKH}$	4.0	—	—	ns
RXD[1:0], CRS_DV, RX_ER hold time to REF_CLK	$t_{RMRDXKH}$	2.0	—	—	ns
REF_CLK clock rise $V_{IL}(\text{min})$ to $V_{IH}(\text{max})$	$t_{RMXR}$	1.0	—	4.0	ns
REF_CLK clock fall time $V_{IH}(\text{max})$ to $V_{IL}(\text{min})$	$t_{RMXF}$	1.0	—	4.0	ns

**Note:**

- The symbols used for timing specifications follow the pattern of  $t_{(\text{first three letters of functional block})(\text{signal})(\text{state})(\text{reference})(\text{state})}$  for inputs and  $t_{(\text{first two letters of functional block})(\text{reference})(\text{state})(\text{signal})(\text{state})}$  for outputs. For example,  $t_{RMRDVKH}$  symbolizes RMI receive timing (RMR) with respect to the time data input signals (D) reach the valid state (V) relative to the  $t_{RMX}$  clock reference (K) going to the high (H) state or setup time. Also,  $t_{RMRDXKL}$  symbolizes RMI receive timing (RMR) with respect to the time data input signals (D) went invalid (X) relative to the  $t_{RMX}$  clock reference (K) going to the low (L) state or hold time. Note that, in general, the clock reference symbol representation is based on three letters representing the clock of a particular functional. For example, the subscript of  $t_{RMX}$  represents the RMI (RM) reference (X) clock. For rise and fall times, the latter convention is used with the appropriate letter: R (rise) or F (fall).

This table provides the AC test load.



**Figure 12. AC Test Load**

This table shows the RMI receive AC timing diagram.



**Figure 13. RMI Receive AC Timing Diagram**

## 8.2.2 RGMII and RTBI AC Timing Specifications

This table presents the RGMII and RTBI AC timing specifications.

**Table 30. RGMII and RTBI AC Timing Specifications**

At recommended operating conditions with  $V_{DDA}/V_{DDB}$  of  $2.5\text{ V} \pm 5\%$ .

Parameter/Condition	Symbol <sup>1</sup>	Min	Typ	Max	Unit
Data to clock output skew (at transmitter)	$t_{SKRGT}$	-0.5	—	0.5	ns
Data to clock input skew (at receiver) <sup>2</sup>	$t_{SKRGT}$	1.0	—	2.6	ns
Clock cycle duration <sup>3</sup>	$t_{RGT}$	7.2	8.0	8.8	ns
Duty cycle for 1000Base-T <sup>4, 5</sup>	$t_{RGTH}/t_{RGT}$	45	50	55	%
Duty cycle for 10BASE-T and 100BASE-TX <sup>3, 5</sup>	$t_{RGTH}/t_{RGT}$	40	50	60	%
Rise time (20%–80%)	$t_{RGTR}$	—	—	0.75	ns
Fall time (20%–80%)	$t_{RGTF}$	—	—	0.75	ns
GTX_CLK125 reference clock period	$t_{G12}^6$	—	8.0	—	ns
GTX_CLK125 reference clock duty cycle	$t_{G125H}/t_{G125}$	47	—	53	%

**Note:**

- Note that, in general, the clock reference symbol representation for this section is based on the symbols RGT to represent RGMII and RTBI timing. For example, the subscript of  $t_{RGT}$  represents the RTBI (T) receive (RX) clock. Note also that the notation for rise (R) and fall (F) times follows the clock symbol that is being represented. For symbols representing skews, the subscript is skew (SK) followed by the clock that is being skewed (RGT).
- This implies that PC board design requires clocks to be routed such that an additional trace delay of greater than 1.5 ns is added to the associated clock signal.
- For 10 and 100 Mbps,  $t_{RGT}$  scales to  $400\text{ ns} \pm 40\text{ ns}$  and  $40\text{ ns} \pm 4\text{ ns}$ , respectively.
- Duty cycle may be stretched/shrunk during speed changes or while transitioning to a received packet's clock domains as long as the minimum duty cycle is not violated and stretching occurs for no more than three  $t_{RGT}$  of the lowest speed transitioned between.
- Duty cycle reference is  $V_{DDA}/2$  or  $V_{DDB}/2$ .
- This symbol is used to represent the external GTX\_CLK125 and does not follow the original symbol naming convention.
- The frequency of RX\_CLK should not exceed the GTX\_CLK125 by more than 300 ppm

This figure shows the RGMII and RTBI AC timing and multiplexing diagrams.



Figure 14. RGMII and RTBI AC Timing and Multiplexing Diagrams

## 8.3 SGMII Interface Electrical Characteristics

Each SGMII port features a 4-wire AC-coupled serial link from the dedicated SerDes interface of MPC8313E as shown in [Figure 15](#), where  $C_{TX}$  is the external (on board) AC-coupled capacitor. Each output pin of the SerDes transmitter differential pair features a 50- $\Omega$  output impedance. Each input of the SerDes receiver differential pair features 50- $\Omega$  on-die termination to XCOREVSS. The reference circuit of the SerDes transmitter and receiver is shown in [Figure 33](#).

When an eTSEC port is configured to operate in SGMII mode, the parallel interface's output signals of this eTSEC port can be left floating. The input signals should be terminated based on the guidelines described in [Section 22.5, "Connection Recommendations,"](#) as long as such termination does not violate the desired POR configuration requirement on these pins, if applicable.

When operating in SGMII mode, the TSEC\_GTX\_CLK125 clock is not required for this port. Instead, the SerDes reference clock is required on SD\_REF\_CLK and  $\overline{SD\_REF\_CLK}$  pins.

### 8.3.1 DC Requirements for SGMII $\overline{SD\_REF\_CLK}$ and $\overline{SD\_REF\_CLK}$

The characteristics and DC requirements of the separate SerDes reference clock are described in [Section 9, "High-Speed Serial Interfaces \(HSSI\)."](#)

### 8.3.2 AC Requirements for SGMII $\overline{\text{SD\_REF\_CLK}}$ and $\overline{\text{SD\_REF\_CLK}}$

This table lists the SGMII SerDes reference clock AC requirements. Note that  $\overline{\text{SD\_REF\_CLK}}$  and  $\overline{\text{SD\_REF\_CLK}}$  are not intended to be used with, and should not be clocked by, a spread spectrum clock source.

**Table 31.  $\overline{\text{SD\_REF\_CLK}}$  and  $\overline{\text{SD\_REF\_CLK}}$  AC Requirements**

Symbol	Parameter Description	Min	Typ	Max	Unit
$t_{\text{REF}}$	REFCLK cycle time	—	8	—	ns
$t_{\text{REFCJ}}$	REFCLK cycle-to-cycle jitter. Difference in the period of any two adjacent REFCLK cycles	—	—	100	ps
$t_{\text{REFPJ}}$	Phase jitter. Deviation in edge location with respect to mean edge location	-50	—	50	ps

### 8.3.3 SGMII Transmitter and Receiver DC Electrical Characteristics

Table 32 and Table 33 describe the SGMII SerDes transmitter and receiver AC-coupled DC electrical characteristics. Transmitter DC characteristics are measured at the transmitter outputs ( $\text{SD\_TX}[n]$  and  $\overline{\text{SD\_TX}}[n]$ ) as depicted in Figure 16.

**Table 32. SGMII DC Transmitter Electrical Characteristics**

Parameter	Symbol	Min	Typ	Max	Unit	Note
Supply voltage	$\text{XCOREV}_{\text{DD}}$	0.95	1.0	1.05	V	
Output high voltage	$V_{\text{OH}}$	—	—	$\text{XCOREV}_{\text{DD-Typ}}/2 +  V_{\text{OD}} _{\text{-max}}/2$	mV	1
Output low voltage	$V_{\text{OL}}$	$\text{XCOREV}_{\text{DD-Typ}}/2 -  V_{\text{OD}} _{\text{-max}}/2$	—	—	mV	1
Output ringing	$V_{\text{RING}}$	—	—	10	%	
Output differential voltage <sup>2, 3</sup>	$ V_{\text{OD}} $	323	500	725	mV	Equalization setting: 1.0x
Output offset voltage	$V_{\text{OS}}$	425	500	575	mV	1, 4
Output impedance (single-ended)	$R_{\text{O}}$	40	—	60	$\Omega$	
Mismatch in a pair	$\Delta R_{\text{O}}$	—	—	10	%	
Change in $V_{\text{OD}}$ between 0 and 1	$\Delta V_{\text{OD}} $	—	—	25	mV	
Change in $V_{\text{OS}}$ between 0 and 1	$\Delta V_{\text{OS}}$	—	—	25	mV	
Output current on short to GND	$I_{\text{SA}}, I_{\text{SB}}$	—	—	40	mA	

**Notes:**

1. This will not align to DC-coupled SGMII.  $\text{XCOREV}_{\text{DD-Typ}} = 1.0$  V.
2.  $|V_{\text{OD}}| = |V_{\text{TX}n} - V_{\overline{\text{TX}n}}|$ .  $|V_{\text{OD}}|$  is also referred as output differential peak voltage.  $V_{\text{TX-DIFFp-p}} = 2 * |V_{\text{OD}}|$ .
3. The  $|V_{\text{OD}}|$  value shown in the Typ column is based on the condition of  $\text{XCOREV}_{\text{DD-Typ}} = 1.0$  V, no common mode offset variation ( $V_{\text{OS}} = 500$  mV), SerDes transmitter is terminated with 100- $\Omega$  differential load between  $\text{TX}[n]$  and  $\overline{\text{TX}}[n]$ .
4.  $V_{\text{OS}}$  is also referred to as output common mode voltage.

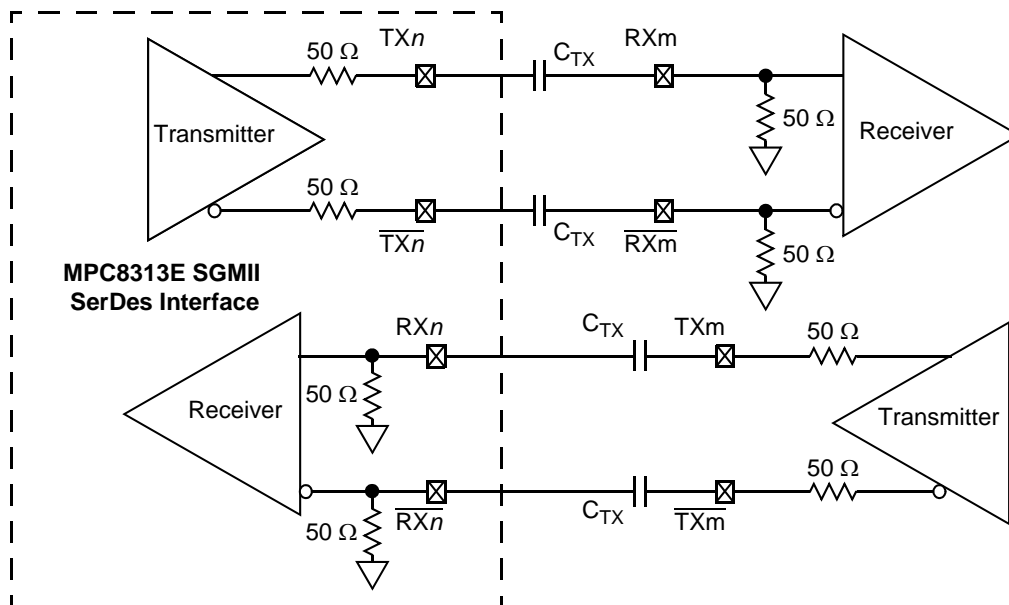


Figure 15. 4-Wire AC-Coupled SGMII Serial Link Connection Example



Figure 16. SGMII Transmitter DC Measurement Circuit

Table 33. SGMII DC Receiver Electrical Characteristics

Parameter	Symbol	Min	Typ	Max	Unit	Note
Supply voltage	XCOREV <sub>DD</sub>	0.95	1.0	1.05	V	
DC Input voltage range		N/A				1
Input differential voltage	V <sub>RX_DIFFp-p</sub>	100	—	1200	mV	2
Loss of signal threshold	V <sub>LOS</sub>	30	—	100	mV	
Input AC common mode voltage	V <sub>CM_ACP-p</sub>	—	—	100	mV	3
Receiver differential input impedance	Z <sub>RX_DIFF</sub>	80	100	120	Ω	
Receiver common mode input impedance	Z <sub>RX_CM</sub>	20	—	35	Ω	

**Table 33. SGMII DC Receiver Electrical Characteristics (continued)**

Parameter	Symbol	Min	Typ	Max	Unit	Note
Common mode input voltage	$V_{CM}$	—	$V_{xcorevss}$	—	V	4

**Notes:**

1. Input must be externally AC-coupled.
2.  $V_{RX\_DIFFp-p}$  is also referred to as peak to peak input differential voltage
3.  $V_{CM\_ACp-p}$  is also referred to as peak to peak AC common mode voltage.
4. On-chip termination to  $XCOREV_{SS}$ .

### 8.3.4 SGMII AC Timing Specifications

This section describes the SGMII transmit and receive AC timing specifications. Transmitter and receiver characteristics are measured at the transmitter outputs (TX[n] and  $\overline{TX}[n]$ ) or at the receiver inputs (RX[n] and  $\overline{RX}[n]$ ) as depicted in Figure 18, respectively.

#### 8.3.4.1 SGMII Transmit AC Timing Specifications

This table provides the SGMII transmit AC timing targets. A source synchronous clock is not provided.

**Table 34. SGMII Transmit AC Timing Specifications**

At recommended operating conditions with  $XCOREV_{DD} = 1.0\text{ V} \pm 5\%$ .

Parameter	Symbol	Min	Typ	Max	Unit	Note
Deterministic jitter	JD	—	—	0.17	UI p-p	
Total jitter	JT	—	—	0.35	UI p-p	
Unit interval	UI	799.92	800	800.08	ps	1
$V_{OD}$ fall time (80%–20%)	t <sub>fall</sub>	50	—	120	ps	
$V_{OD}$ rise time (20%–80%)	t <sub>rise</sub>	50	—	120	ps	

**Note:**

1. Each UI is 800 ps  $\pm$  100 ppm.

#### 8.3.4.2 SGMII Receive AC Timing Specifications

This table provides the SGMII receive AC timing specifications. Source synchronous clocking is not supported. Clock is recovered from the data. Figure 17 shows the SGMII receiver input compliance mask eye diagram.

**Table 35. SGMII Receive AC Timing Specifications**

At recommended operating conditions with  $XCOREV_{DD} = 1.0\text{ V} \pm 5\%$ .

Parameter	Symbol	Min	Typ	Max	Unit	Note
Deterministic jitter tolerance	JD	0.37	—	—	UI p-p	1
Combined deterministic and random jitter tolerance	JDR	0.55	—	—	UI p-p	1
Sinusoidal jitter tolerance	JSIN	0.1	—	—	UI p-p	1

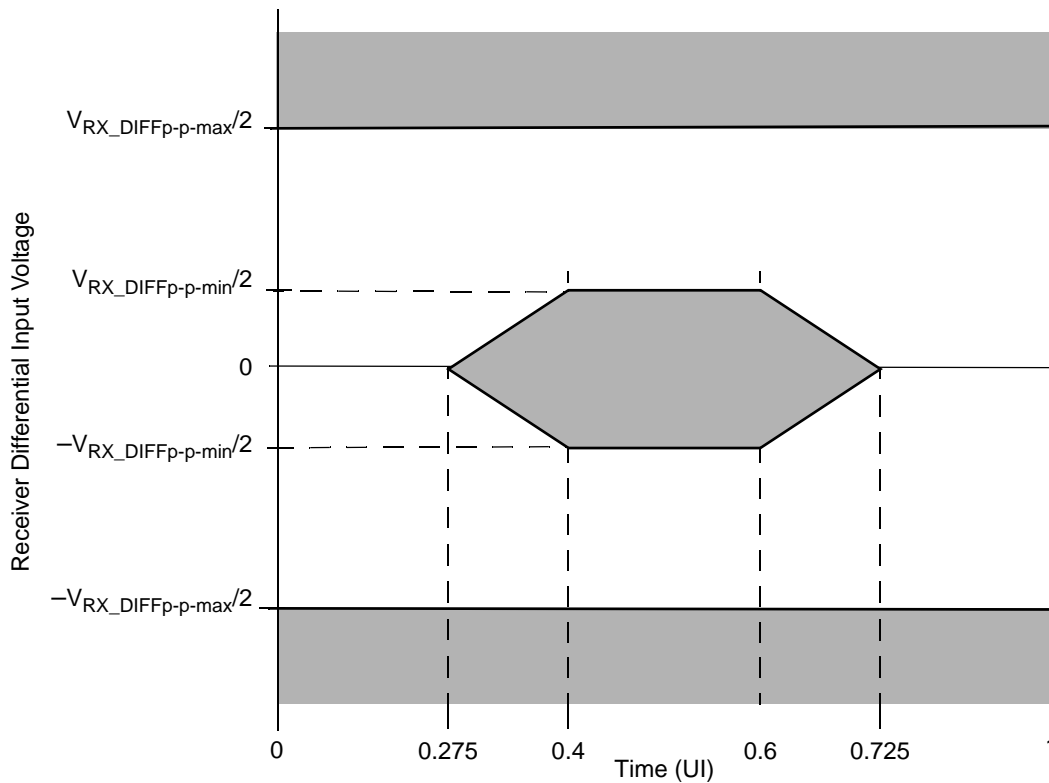
**Table 35. SGMII Receive AC Timing Specifications (continued)**

At recommended operating conditions with  $XCOREV_{DD} = 1.0\text{ V} \pm 5\%$ .

Parameter	Symbol	Min	Typ	Max	Unit	Note
Total jitter tolerance	JT	0.65	—	—	UI p-p	1
Bit error ratio	BER	—	—	$10^{-12}$		
Unit interval	UI	799.92	800	800.08	ps	2
AC coupling capacitor	$C_{TX}$	5	—	200	nF	3

**Notes:**

1. Measured at receiver.
2. Each UI is  $800\text{ ps} \pm 100\text{ ppm}$ .
3. The external AC coupling capacitor is required. It is recommended to be placed near the device transmitter outputs.



**Figure 17. SGMII Receiver Input Compliance Mask**

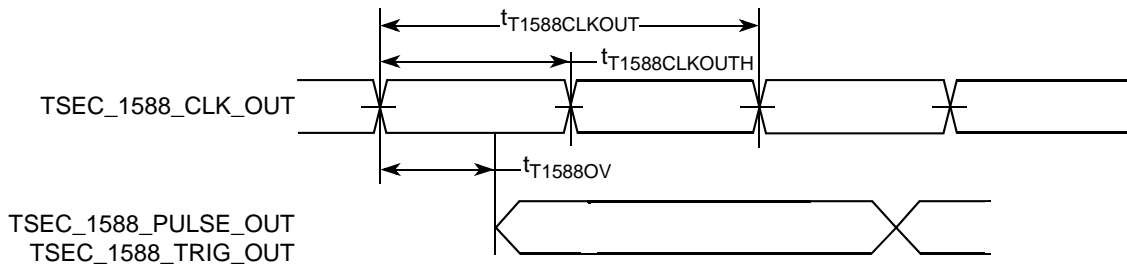




Figure 18. SGMII AC Test/Measurement Load

## 8.4 eTSEC IEEE 1588 AC Specifications

This figure provides the data and command output timing diagram.



**Note:** The output delay is count starting rising edge if  $t_{T1588CLKOUT}$  is non-inverting. Otherwise, it is count starting falling edge.

Figure 19. eTSEC IEEE 1588 Output AC Timing

This figure provides the data and command input timing diagram.

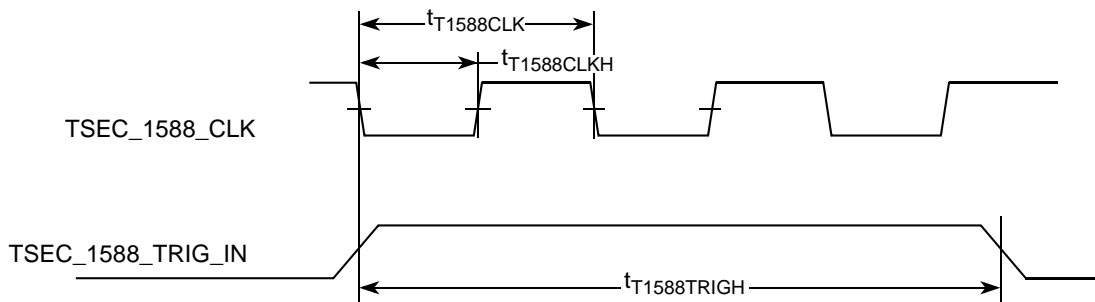


Figure 20. eTSEC IEEE 1588 Input AC Timing

This table lists the IEEE 1588 AC timing specifications.

Table 36. eTSEC IEEE 1588 AC Timing Specifications

At recommended operating conditions with  $L/TV_{DD}$  of  $3.3\text{ V} \pm 5\%$ .

Parameter/Condition	Symbol	Min	Typ	Max	Unit	Note
TSEC_1588_CLK clock period	$t_{T1588CLK}$	3.8	—	$T_{RX\_CLK} \times 9$	ns	1, 3
TSEC_1588_CLK duty cycle	$t_{T1588CLKH}/t_{T1588CLK}$	40	50	60	%	

**Table 36. eTSEC IEEE 1588 AC Timing Specifications (continued)**

At recommended operating conditions with L/TV<sub>DD</sub> of 3.3 V ± 5%.

Parameter/Condition	Symbol	Min	Typ	Max	Unit	Note
TSEC_1588_CLK peak-to-peak jitter	t <sub>T1588CLKINJ</sub>	—	—	250	ps	
Rise time eTSEC_1588_CLK (20%–80%)	t <sub>T1588CLKINR</sub>	1.0	—	2.0	ns	
Fall time eTSEC_1588_CLK (80%–20%)	t <sub>T1588CLKINF</sub>	1.0	—	2.0	ns	
TSEC_1588_CLK_OUT clock period	t <sub>T1588CLKOUT</sub>	2 × t <sub>T1588CLK</sub>	—	—	ns	
TSEC_1588_CLK_OUT duty cycle	t <sub>T1588CLKOTH</sub> / t <sub>T1588CLKOUT</sub>	30	50	70	%	
TSEC_1588_PULSE_OUT	t <sub>T1588OV</sub>	0.5	—	3.0	ns	
TSEC_1588_TRIG_IN pulse width	t <sub>T1588TRIGH</sub>	2 × t <sub>T1588CLK_MAX</sub>	—	—	ns	2

**Notes:**

1. T<sub>RX\_CLK</sub> is the max clock period of eTSEC receiving clock selected by TMR\_CTRL[CKSEL]. See the *MPC8313E PowerQUICC II Pro Integrated Processor Family Reference Manual*, for a description of TMR\_CTRL registers.
2. It need to be at least two times of clock period of clock selected by TMR\_CTRL[CKSEL]. See the *MPC8313E PowerQUICC II Pro Integrated Processor Family Reference Manual*, for a description of TMR\_CTRL registers.
3. The maximum value of t<sub>T1588CLK</sub> is not only defined by the value of T<sub>RX\_CLK</sub>, but also defined by the recovered clock. For example, for 10/100/1000 Mbps modes, the maximum value of t<sub>T1588CLK</sub> is 3600, 280, and 56 ns, respectively.

## 8.5 Ethernet Management Interface Electrical Characteristics

The electrical characteristics specified here apply to MII management interface signals MDIO (management data input/output) and MDC (management data clock). The electrical characteristics for MII, RMII, RGMII, SGMII, and RTBI are specified in [Section 8.1, “Enhanced Three-Speed Ethernet Controller \(eTSEC\) \(10/100/1000 Mbps\)—MII/RMII/RGMII/SGMII/RTBI Electrical Characteristics.”](#)

### 8.5.1 MII Management DC Electrical Characteristics

The MDC and MDIO are defined to operate at a supply voltage of 3.3 V. [Table 37](#) provide the DC electrical characteristics for MDIO and MDC.

**Table 37. MII Management DC Electrical Characteristics When Powered at 3.3 V**

Parameter	Symbol	Conditions		Min	Max	Unit
Supply voltage (3.3 V)	NV <sub>DD</sub>	—		2.97	3.63	V
Output high voltage	V <sub>OH</sub>	I <sub>OH</sub> = -1.0 mA	NV <sub>DD</sub> = Min	2.10	NV <sub>DD</sub> + 0.3	V
Output low voltage	V <sub>OL</sub>	I <sub>OL</sub> = 1.0 mA	NV <sub>DD</sub> = Min	V <sub>SS</sub>	0.50	V
Input high voltage	V <sub>IH</sub>	—		2.0	—	V
Input low voltage	V <sub>IL</sub>	—		—	0.80	V
Input high current	I <sub>IH</sub>	NV <sub>DD</sub> = Max	V <sub>IN</sub> <sup>1</sup> = 2.1 V	—	40	μA
Input low current	I <sub>IL</sub>	NV <sub>DD</sub> = Max	V <sub>IN</sub> = 0.5 V	-600	—	μA

**Table 37. MII Management DC Electrical Characteristics When Powered at 3.3 V (continued)**

**Note:**

- Note that the symbol  $V_{IN}$ , in this case, represents the  $NV_{IN}$  symbol referenced in [Table 1](#) and [Table 2](#).

## 8.5.2 MII Management AC Electrical Specifications

This table provides the MII management AC timing specifications.

**Table 38. MII Management AC Timing Specifications**

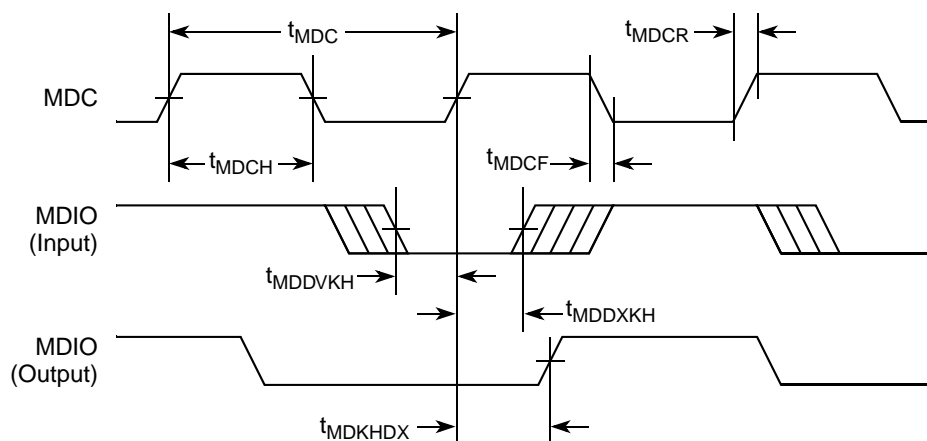
At recommended operating conditions with  $NV_{DD}$  is 3.3 V  $\pm$  0.3V

Parameter/Condition	Symbol <sup>1</sup>	Min	Typ	Max	Unit	Note
MDC frequency	$f_{MDC}$	—	2.5	—	MHz	2
MDC period	$t_{MDC}$	—	400	—	ns	
MDC clock pulse width high	$t_{MDCH}$	32	—	—	ns	
MDC to MDIO delay	$t_{MDKHDX}$	10	—	170	ns	
MDIO to MDC setup time	$t_{MDDVKH}$	5	—	—	ns	
MDIO to MDC hold time	$t_{MDDXKH}$	0	—	—	ns	
MDC rise time	$t_{MDCR}$	—	—	10	ns	
MDC fall time	$t_{MDHF}$	—	—	10	ns	

**Notes:**

- The symbols used for timing specifications follow the pattern of  $t_{(first\ two\ letters\ of\ functional\ block)(signal)(state)(reference)(state)}$  for inputs and  $t_{(first\ two\ letters\ of\ functional\ block)(reference)(state)(signal)(state)}$  for outputs. For example,  $t_{MDKHDX}$  symbolizes management data timing (MD) for the time  $t_{MDC}$  from clock reference (K) high (H) until data outputs (D) are invalid (X) or data hold time. Also,  $t_{MDDVKH}$  symbolizes management data timing (MD) with respect to the time data input signals (D) reach the valid state (V) relative to the  $t_{MDC}$  clock reference (K) going to the high (H) state or setup time. For rise and fall times, the latter convention is used with the appropriate letter: R (rise) or F (fall).
- This parameter is dependent on the `csb_clk` speed. (The `MIIMCFG[Mgmt Clock Select]` field determines the clock frequency of the Mgmt Clock `EC_MDC`.)

This figure shows the MII management AC timing diagram.



**Figure 21. MII Management Interface Timing Diagram**

## 9 High-Speed Serial Interfaces (HSSI)

This section describes the common portion of SerDes DC electrical specifications, which is the DC requirement for SerDes reference clocks. The SerDes data lane's transmitter and receiver reference circuits are also shown.

### 9.1 Signal Terms Definition

The SerDes utilizes differential signaling to transfer data across the serial link. This section defines terms used in the description and specification of differential signals.

Figure 22 shows how the signals are defined. For illustration purpose, only one SerDes lane is used for description. The figure shows waveform for either a transmitter output ( $TX_n$  and  $\overline{TX_n}$ ) or a receiver input ( $RX_n$  and  $\overline{RX_n}$ ). Each signal swings between A volts and B volts where  $A > B$ .

Using this waveform, the definitions are as follows. To simplify illustration, the following definitions assume that the SerDes transmitter and receiver operate in a fully symmetrical differential signaling environment.

1. Single-ended swing  
The transmitter output signals and the receiver input signals  $TX_n$ ,  $\overline{TX_n}$ ,  $RX_n$ , and  $\overline{RX_n}$  each have a peak-to-peak swing of  $A - B$  volts. This is also referred as each signal wire's single-ended swing.
2. Differential output voltage,  $V_{OD}$  (or differential output swing):  
The differential output voltage (or swing) of the transmitter,  $V_{OD}$ , is defined as the difference of the two complimentary output voltages:  $V_{TX_n} - V_{\overline{TX_n}}$ . The  $V_{OD}$  value can be either positive or negative.
3. Differential input voltage,  $V_{ID}$  (or differential input swing):  
The differential input voltage (or swing) of the receiver,  $V_{ID}$ , is defined as the difference of the two complimentary input voltages:  $V_{RX_n} - V_{\overline{RX_n}}$ . The  $V_{ID}$  value can be either positive or negative.
4. Differential peak voltage,  $V_{DIFFp}$   
The peak value of the differential transmitter output signal or the differential receiver input signal is defined as differential peak voltage,  $V_{DIFFp} = |A - B|$  volts.
5. Differential peak-to-peak,  $V_{DIFFp-p}$   
Since the differential output signal of the transmitter and the differential input signal of the receiver each range from  $A - B$  to  $-(A - B)$  volts, the peak-to-peak value of the differential transmitter output signal or the differential receiver input signal is defined as differential peak-to-peak voltage,  $V_{DIFFp-p} = 2 \times V_{DIFFp} = 2 \times |A - B|$  volts, which is twice of differential swing in amplitude, or twice of the differential peak. For example, the output differential peak-peak voltage can also be calculated as  $V_{TX-DIFFp-p} = 2 \times |V_{OD}|$ .
6. Differential waveform  
The differential waveform is constructed by subtracting the inverting signal ( $TX_n$ , for example) from the non-inverting signal ( $\overline{TX_n}$ , for example) within a differential pair. There is only one signal trace curve in a differential waveform. The voltage represented in the differential waveform is not referenced to ground. Refer to Figure 22 as an example for differential waveform.
7. Common mode voltage,  $V_{cm}$

The common mode voltage is equal to one half of the sum of the voltages between each conductor of a balanced interchange circuit and ground. In this example, for SerDes output,  $V_{cm\_out} = (V_{TXn} + V_{\overline{TXn}})/2 = (A + B)/2$ , which is the arithmetic mean of the two complimentary output voltages within a differential pair. In a system, the common mode voltage may often differ from one component's output to the other's input. Sometimes, it may be even different between the receiver input and driver output circuits within the same component. It's also referred as the DC offset in some occasion.



**Figure 22. Differential Voltage Definitions for Transmitter or Receiver**

To illustrate these definitions using real values, consider the case of a CML (current mode logic) transmitter that has a common mode voltage of 2.25 V and each of its outputs, TD and  $\overline{TD}$ , has a swing that goes between 2.5 and 2.0 V. Using these values, the peak-to-peak voltage swing of each signal (TD or  $\overline{TD}$ ) is 500 mV p-p, which is referred as the single-ended swing for each signal. In this example, since the differential signaling environment is fully symmetrical, the transmitter output's differential swing ( $V_{OD}$ ) has the same amplitude as each signal's single-ended swing. The differential output signal ranges between 500 and -500 mV, in other words,  $V_{OD}$  is 500 mV in one phase and -500 mV in the other phase. The peak differential voltage ( $V_{DIFFp}$ ) is 500 mV. The peak-to-peak differential voltage ( $V_{DIFFp-p}$ ) is 1000 mV p-p.

## 9.2 SerDes Reference Clocks

The SerDes reference clock inputs are applied to an internal PLL whose output creates the clock used by the corresponding SerDes lanes. The SerDes reference clocks input is SD\_REF\_CLK and  $\overline{SD\_REF\_CLK}$  for SGMII interface.

The following sections describe the SerDes reference clock requirements and some application information.

### 9.2.1 SerDes Reference Clock Receiver Characteristics

Figure 23 shows a receiver reference diagram of the SerDes reference clocks.

- The supply voltage requirements for  $XCOREV_{DD}$  are specified in Table 1 and Table 2.
- SerDes reference clock receiver reference circuit structure:

- The SD\_REF\_CLK and  $\overline{\text{SD\_REF\_CLK}}$  are internally AC-coupled differential inputs as shown in Figure 23. Each differential clock input (SD\_REF\_CLK or  $\overline{\text{SD\_REF\_CLK}}$ ) has a 50- $\Omega$  termination to XCOREV<sub>SS</sub> followed by on-chip AC coupling.
- The external reference clock driver must be able to drive this termination.
- The SerDes reference clock input can be either differential or single-ended. Refer to the differential mode and single-ended mode description below for further detailed requirements.
- The maximum average current requirement that also determines the common mode voltage range:
  - When the SerDes reference clock differential inputs are DC coupled externally with the clock driver chip, the maximum average current allowed for each input pin is 8 mA. In this case, the exact common mode input voltage is not critical as long as it is within the range allowed by the maximum average current of 8 mA (refer to the following bullet for more detail), since the input is AC-coupled on-chip.
  - This current limitation sets the maximum common mode input voltage to be less than 0.4 V (0.4 V/50 = 8 mA) while the minimum common mode input level is 0.1 V above XCOREV<sub>SS</sub>. For example, a clock with a 50/50 duty cycle can be produced by a clock driver with output driven by its current source from 0 to 16 mA (0–0.8 V), such that each phase of the differential input has a single-ended swing from 0 V to 800 mV with the common mode voltage at 400 mV.
  - If the device driving the SD\_REF\_CLK and  $\overline{\text{SD\_REF\_CLK}}$  inputs cannot drive 50  $\Omega$  to XCOREV<sub>SS</sub> DC, or it exceeds the maximum input current limitations, then it must be AC-coupled off-chip.
- The input amplitude requirement. This requirement is described in detail in the following sections.

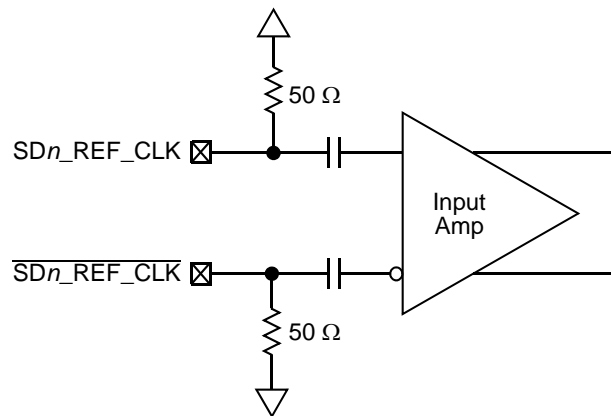


Figure 23. Receiver of SerDes Reference Clocks

### 9.2.2 DC Level Requirement for SerDes Reference Clocks

The DC level requirement for the MPC8313E SerDes reference clock inputs is different depending on the signaling mode used to connect the clock driver chip and SerDes reference clock inputs as described below.

- Differential mode
  - The input amplitude of the differential clock must be between 400 and 1600 mV differential peak-to-peak (or between 200 and 800 mV differential peak). In other words, each signal wire

of the differential pair must have a single-ended swing less than 800 mV and greater than 200 mV. This requirement is the same for both external DC-coupled or AC-coupled connection.

- For external DC-coupled connection, as described in [Section 9.2.1, “SerDes Reference Clock Receiver Characteristics,”](#) the maximum average current requirements sets the requirement for average voltage (common mode voltage) to be between 100 and 400 mV. [Figure 24](#) shows the SerDes reference clock input requirement for the DC-coupled connection scheme.
- For external AC-coupled connection, there is no common mode voltage requirement for the clock driver. Since the external AC-coupling capacitor blocks the DC level, the clock driver and the SerDes reference clock receiver operate in different command mode voltages. The SerDes reference clock receiver in this connection scheme has its common mode voltage set to  $XCOREV_{SS}$ . Each signal wire of the differential inputs is allowed to swing below and above the command mode voltage ( $XCOREV_{SS}$ ). [Figure 25](#) shows the SerDes reference clock input requirement for AC-coupled connection scheme.
- Single-ended mode
  - The reference clock can also be single-ended. The  $SD\_REF\_CLK$  input amplitude (single-ended swing) must be between 400 and 800 mV peak-to-peak (from  $V_{min}$  to  $V_{max}$ ) with  $SD\_REF\_CLK$  either left unconnected or tied to ground.
  - The  $SD\_REF\_CLK$  input average voltage must be between 200 and 400 mV. [Figure 26](#) shows the SerDes reference clock input requirement for the single-ended signaling mode.
  - To meet the input amplitude requirement, the reference clock inputs might need to be DC or AC coupled externally. For the best noise performance, the reference of the clock could be DC or AC coupled into the unused phase ( $SD\_REF\_CLK$ ) through the same source impedance as the clock input ( $SD\_REF\_CLK$ ) in use.



**Figure 24. Differential Reference Clock Input DC Requirements (External DC-Coupled)**



**Figure 25. Differential Reference Clock Input DC Requirements (External AC-Coupled)**



**Figure 26. Single-Ended Reference Clock Input DC Requirements**

### 9.2.3 Interfacing With Other Differential Signaling Levels

- With on-chip termination to  $XCOREV_{SS}$ , the differential reference clocks inputs are HCSL (high-speed current steering logic) compatible DC coupled.
- Many other low voltage differential type outputs like LVDS (low voltage differential signaling) can be used but may need to be AC coupled due to the limited common mode input range allowed (100 to 400 mV) for DC-coupled connection.
- LVPECL outputs can produce a signal with too large of an amplitude and may need to be DC-biased at the clock driver output first, then followed with series attenuation resistor to reduce the amplitude, in addition to AC coupling.

#### NOTE

Figure 27 through Figure 30 are for conceptual reference only. Due to the fact that the clock driver chip's internal structure, output impedance, and termination requirements are different between various clock driver chip manufacturers, it is possible that the clock circuit reference designs provided by clock driver chip vendors are different from what is shown in the figures. They might also vary from one vendor to the other. Therefore, Freescale can neither provide the optimal clock driver reference circuits, nor guarantee the correctness of the following clock driver connection reference circuits. It is recommended that the system designer contact the selected clock driver chip vendor for the optimal reference circuits for the MPC8313E SerDes reference clock receiver requirement provided in this document.



This figure shows the SerDes reference clock connection reference circuits for HCSL type clock driver. It assumes that the DC levels of the clock driver chip is compatible with MPC8313E SerDes reference clock input's DC requirement.



**Figure 27. DC-Coupled Differential Connection with HCSL Clock Driver (Reference Only)**

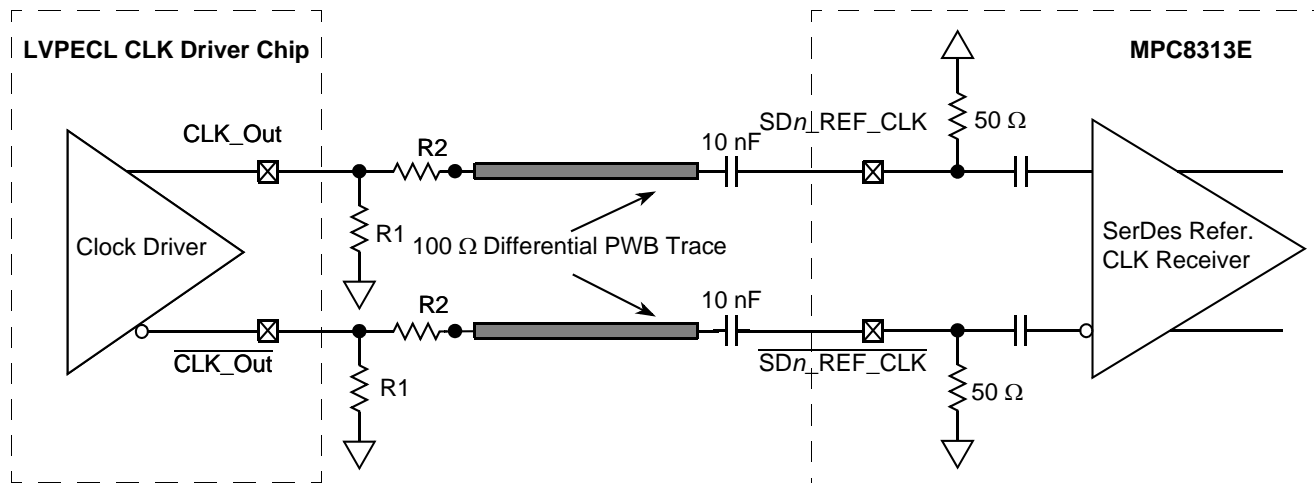
This figure shows the SerDes reference clock connection reference circuits for LVDS type clock driver. Since LVDS clock driver's common mode voltage is higher than the MPC8313E SerDes reference clock input's allowed range (100 to 400 mV), the AC-coupled connection scheme must be used. It assumes the LVDS output driver features a 50-Ω termination resistor. It also assumes that the LVDS transmitter establishes its own common mode level without relying on the receiver or other external component.



**Figure 28. AC-Coupled Differential Connection with LVDS Clock Driver (Reference Only)**

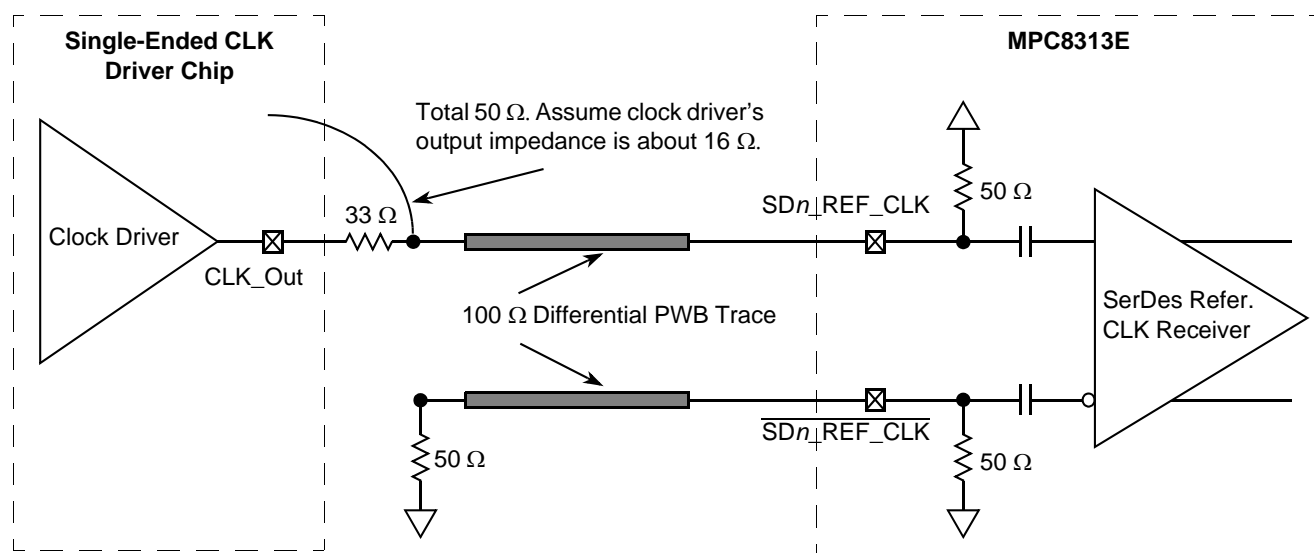
This figure shows the SerDes reference clock connection reference circuits for LVPECL type clock driver. Since LVPECL driver's DC levels (both common mode voltages and output swing) are incompatible with the MPC8313E SerDes reference clock input's DC requirement, AC coupling has to be used. [Figure 29](#)

assumes that the LVPECL clock driver's output impedance is  $50\ \Omega$ . R1 is used to DC-bias the LVPECL outputs prior to AC coupling. Its value could be ranged from  $140$  to  $240\ \Omega$  depending on the clock driver vendor's requirement. R2 is used together with the SerDes reference clock receiver's  $50\text{-}\Omega$  termination resistor to attenuate the LVPECL output's differential peak level such that it meets the MPC8313E SerDes3 reference clock's differential input amplitude requirement (between  $200$  and  $800\ \text{mV}$  differential peak). For example, if the LVPECL output's differential peak is  $900\ \text{mV}$  and the desired SerDes reference clock input amplitude is selected as  $600\ \text{mV}$ , the attenuation factor is  $0.67$ , which requires  $R2 = 25\ \Omega$ . Consult with the clock driver chip manufacturer to verify whether this connection scheme is compatible with a particular clock driver chip.



**Figure 29. AC-Coupled Differential Connection with LVPECL Clock Driver (Reference Only)**

This figure shows the SerDes reference clock connection reference circuits for a single-ended clock driver. It assumes the DC levels of the clock driver are compatible with the MPC8313E SerDes reference clock input's DC requirement.



**Figure 30. Single-Ended Connection (Reference Only)**

## 9.2.4 AC Requirements for SerDes Reference Clocks

The clock driver selected should provide a high quality reference clock with low-phase noise and cycle-to-cycle jitter. Phase noise less than 100 kHz can be tracked by the PLL and data recovery loops and is less of a problem. Phase noise above 15 MHz is filtered by the PLL. The most problematic phase noise occurs in the 1–15 MHz range. The source impedance of the clock driver should be 50 Ω to match the transmission line and reduce reflections which are a source of noise to the system.

This table describes some AC parameters for SGMII protocol.

**Table 39. SerDes Reference Clock Common AC Parameters**

At recommended operating conditions with  $XV_{DD\_SRDS1}$  or  $XV_{DD\_SRDS2} = 1.0\text{ V} \pm 5\%$ .

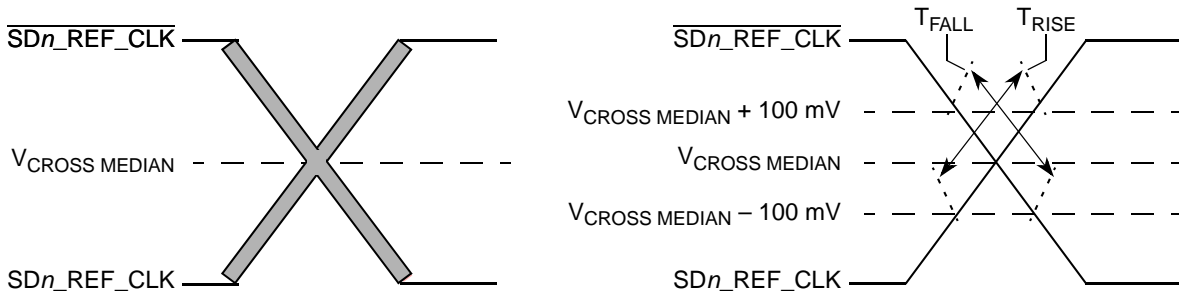
Parameter	Symbol	Min	Max	Unit	Note
Rising edge rate	Rise edge rate	1.0	4.0	V/ns	2, 3
Falling edge rate	Fall edge rate	1.0	4.0	V/ns	2, 3
Differential input high voltage	$V_{IH}$	+200	—	mV	2
Differential input low voltage	$V_{IL}$	—	-200	mV	2
Rising edge rate ( $SDn\_REF\_CLK$ ) to falling edge rate ( $\overline{SDn\_REF\_CLK}$ ) matching	Rise-fall matching	—	20	%	1, 4

**Notes:**

1. Measurement taken from single-ended waveform.
2. Measurement taken from differential waveform.
3. Measured from -200 to +200 mV on the differential waveform (derived from  $SDn\_REF\_CLK$  minus  $\overline{SDn\_REF\_CLK}$ ). The signal must be monotonic through the measurement region for rise and fall time. The 400 mV measurement window is centered on the differential zero crossing. See [Figure 31](#).
4. Matching applies to rising edge rate for  $SDn\_REF\_CLK$  and falling edge rate for  $\overline{SDn\_REF\_CLK}$ . It is measured using a 200 mV window centered on the median cross point, where  $SDn\_REF\_CLK$  rising meets  $\overline{SDn\_REF\_CLK}$  falling. The median cross point is used to calculate the voltage thresholds the oscilloscope is to use for the edge rate calculations. The rise edge rate of  $SDn\_REF\_CLK$  should be compared to the fall edge rate of  $\overline{SDn\_REF\_CLK}$ , the maximum allowed difference should not exceed 20% of the slowest edge rate. See [Figure 32](#).



**Figure 31. Differential Measurement Points for Rise and Fall Time**



**Figure 32. Single-Ended Measurement Points for Rise and Fall Time Matching**

The other detailed AC requirements of the SerDes reference clocks is defined by each interface protocol based on application usage. Refer to the following section for detailed information:

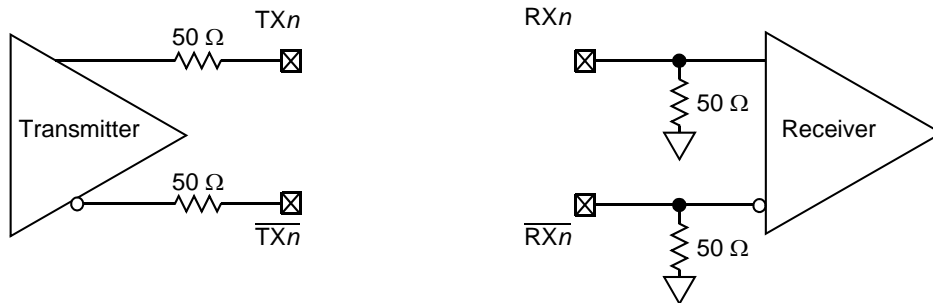
- [Section 8.3.2, “AC Requirements for SGMII SD\\_REF\\_CLK and SD\\_REF\\_CLK”](#)

### 9.2.4.1 Spread Spectrum Clock

$\overline{\text{SD\_REF\_CLK}}/\text{SD\_REF\_CLK}$  are not intended to be used with, and should not be clocked by, a spread spectrum clock source.

## 9.3 SerDes Transmitter and Receiver Reference Circuits

This figure shows the reference circuits for the SerDes data lane’s transmitter and receiver.



**Figure 33. SerDes Transmitter and Receiver Reference Circuits**

The SerDes data lane’s DC and AC specifications are defined in the interface protocol section listed below (SGMII) based on the application usage:

- [Section 8.3, “SGMII Interface Electrical Characteristics”](#)

Please note that an external AC-coupling capacitor is required for the above serial transmission protocol with the capacitor value defined in the specifications of the protocol section.

## 10 USB

### 10.1 USB Dual-Role Controllers

This section provides the AC and DC electrical specifications for the USB interface.

#### 10.1.1 USB DC Electrical Characteristics

This table provides the DC electrical characteristics for the USB interface.

**Table 40. USB DC Electrical Characteristics**

Parameter	Symbol	Min	Max	Unit
High-level input voltage	$V_{IH}$	2.0	$LV_{DDB} + 0.3$	V
Low-level input voltage	$V_{IL}$	-0.3	0.8	V
Input current	$I_{IN}$	—	$\pm 5$	$\mu A$
High-level output voltage, $I_{OH} = -100 \mu A$	$V_{OH}$	$LV_{DDB} - 0.2$	—	V
Low-level output voltage, $I_{OL} = 100 \mu A$	$V_{OL}$	—	0.2	V

#### 10.1.2 USB AC Electrical Specifications

This table describes the general timing parameters of the USB interface.

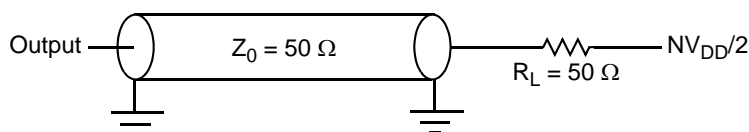
**Table 41. USB General Timing Parameters (ULPI Mode Only)**

Parameter	Symbol <sup>1</sup>	Min	Max	Unit	Note
USB clock cycle time	$t_{USCK}$	15	—	ns	
Input setup to USB clock—all inputs	$t_{USIVKH}$	4	—	ns	
input hold to USB clock—all inputs	$t_{USIXKH}$	1	—	ns	
USB clock to output valid—all outputs	$t_{USKHOV}$	—	7	ns	
Output hold from USB clock—all outputs	$t_{USKHOX}$	2	—	ns	

**Note:**

- The symbols used for timing specifications follow the pattern of  $t_{(\text{first two letters of functional block})(\text{signal})(\text{state})(\text{reference})(\text{state})}$  for inputs and  $t_{(\text{first two letters of functional block})(\text{reference})(\text{state})(\text{signal})(\text{state})}$  for outputs. For example,  $t_{USIXKH}$  symbolizes USB timing (USB) for the input (I) to go invalid (X) with respect to the time the USB clock reference (K) goes high (H). Also,  $t_{USKHOX}$  symbolizes us timing (USB) for the USB clock reference (K) to go high (H), with respect to the output (O) going invalid (X) or output hold time.

The following two figures provide the AC test load and signals for the USB, respectively.



**Figure 34. USB AC Test Load**



Figure 35. USB Signals

## 10.2 On-Chip USB PHY

This section describes the DC and AC electrical specifications for the on-chip USB PHY of the MPC8313E. See Chapter 7 in the *USB Specifications Rev. 2*, for more information.

This table provides the USB clock input (USB\_CLK\_IN) DC timing specifications.

Table 42. USB\_CLK\_IN DC Electrical Characteristics

Parameter	Symbol	Min	Max	Unit
Input high voltage	$V_{IH}$	2.7	$NV_{DD} + 0.3$	V
Input low voltage	$V_{IL}$	-0.3	0.4	V

This table provides the USB clock input (USB\_CLK\_IN) AC timing specifications.

Table 43. USB\_CLK\_IN AC Timing Specifications

Parameter/Condition	Conditions	Symbol	Min	Typ	Max	Unit
Frequency range	—	$f_{USB\_CLK\_IN}$	—	24	48	MHz
Clock frequency tolerance	—	$t_{CLK\_TOL}$	-0.005	0	0.005	%
Reference clock duty cycle	Measured at 1.6 V	$t_{CLK\_DUTY}$	40	50	60	%
Total input jitter/time interval error	Peak-to-peak value measured with a second order high-pass filter of 500 kHz bandwidth	$t_{CLK\_PJ}$	—	—	200	ps

# 11 Enhanced Local Bus

This section describes the DC and AC electrical specifications for the local bus interface.

## 11.1 Local Bus DC Electrical Characteristics

This table provides the DC electrical characteristics for the local bus interface.

**Table 44. Local Bus DC Electrical Characteristics at 3.3 V**

Parameter	Symbol	Min	Max	Unit
High-level input voltage for Rev 1.0	$V_{IH}$	2.0	$LV_{DD} + 0.3$	V
High-level input voltage for Rev 2.x or later	$V_{IH}$	2.1	$LV_{DD} + 0.3$	V
Low-level input voltage	$V_{IL}$	-0.3	0.8	V
Input current, ( $V_{IN}^1 = 0$ V or $V_{IN} = LV_{DD}$ )	$I_{IN}$	—	$\pm 5$	$\mu A$
High-level output voltage, ( $LV_{DD} = \text{min}$ , $I_{OH} = -2$ mA)	$V_{OH}$	$LV_{DD} - 0.2$	—	V
Low-level output voltage, ( $LV_{DD} = \text{min}$ , $I_{OH} = 2$ mA)	$V_{OL}$	—	0.2	V

**Note:** The parameters stated in above table are valid for all revisions unless explicitly mentioned.

## 11.2 Local Bus AC Electrical Specifications

This table describes the general timing parameters of the local bus interface.

**Table 45. Local Bus General Timing Parameters**

Parameter	Symbol <sup>1</sup>	Min	Max	Unit	Note
Local bus cycle time	$t_{LBK}$	15	—	ns	2
Input setup to local bus clock	$t_{LBIVKH}$	7	—	ns	3, 4
Input hold from local bus clock	$t_{LBIXKH}$	1.0	—	ns	3, 4
LALE output fall to LAD output transition (LATCH hold time)	$t_{LBOTOT1}$	1.5	—	ns	5
LALE output fall to LAD output transition (LATCH hold time)	$t_{LBOTOT2}$	3	—	ns	6
LALE output fall to LAD output transition (LATCH hold time)	$t_{LBOTOT3}$	2.5	—	ns	7
LALE output rise to LCLK negative edge	$t_{LALEHOV}$	—	3.0	ns	
LALE output fall to LCLK negative edge	$t_{LALETOT1}$	-1.5	—	ns	5
LALE output fall to LCLK negative edge	$t_{LALETOT2}$	-5.0	—	ns	6
LALE output fall to LCLK negative edge	$t_{LALETOT3}$	-4.5	—	ns	7
Local bus clock to output valid	$t_{LBKHOV}$	—	3	ns	3
Local bus clock to output high impedance for LAD	$t_{LBKHOZ}$	—	4	ns	8

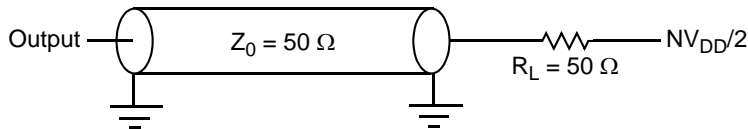
**Table 45. Local Bus General Timing Parameters (continued)**

Parameter	Symbol <sup>1</sup>	Min	Max	Unit	Note
-----------	---------------------	-----	-----	------	------

**Notes:**

1. The symbols used for timing specifications follow the pattern of  $t_{(\text{first two letters of functional block})(\text{signal})(\text{state})(\text{reference})(\text{state})}$  for inputs and  $t_{(\text{first two letters of functional block})(\text{reference})(\text{state})(\text{signal})(\text{state})}$  for outputs. For example,  $t_{\text{LBIXKH1}}$  symbolizes local bus timing (LB) for the input (I) to go invalid (X) with respect to the time the  $t_{\text{L BK}}$  clock reference (K) goes high (H), in this case for clock one (1).
2. All timings are in reference to falling edge of LCLK0 (for all outputs and for  $\overline{\text{LGTA}}$  and LUPWAIT inputs) or rising edge of LCLK0 (for all other inputs).
3. All signals are measured from  $NV_{\text{DD}}/2$  of the rising/falling edge of LCLK0 to  $0.4 \times NV_{\text{DD}}$  of the signal in question for 3.3-V signaling levels.
4. Input timings are measured at the pin.
5.  $t_{\text{LBOTOT1}}$  and  $t_{\text{LALETOT1}}$  should be used when RCWH[LALE] is not set and the load on LALE output pin is at least 10 pF less than the load on LAD output pins.
6.  $t_{\text{LBOTOT2}}$  and  $t_{\text{LALETOT2}}$  should be used when RCWH[LALE] is set and the load on LALE output pin is at least 10 pF less than the load on LAD output pins.
7.  $t_{\text{LBOTOT3}}$  and  $t_{\text{LALETOT3}}$  should be used when RCWH[LALE] is set and the load on LALE output pin equals to the load on LAD output pins.
8. For purposes of active/float timing measurements, the Hi-Z or off state is defined to be when the total current delivered through the component pin is less than or equal to the leakage current specification.

This figure provides the AC test load for the local bus.



**Figure 36. Local Bus AC Test Load**



Figure 37 through Figure 40 show the local bus signals.

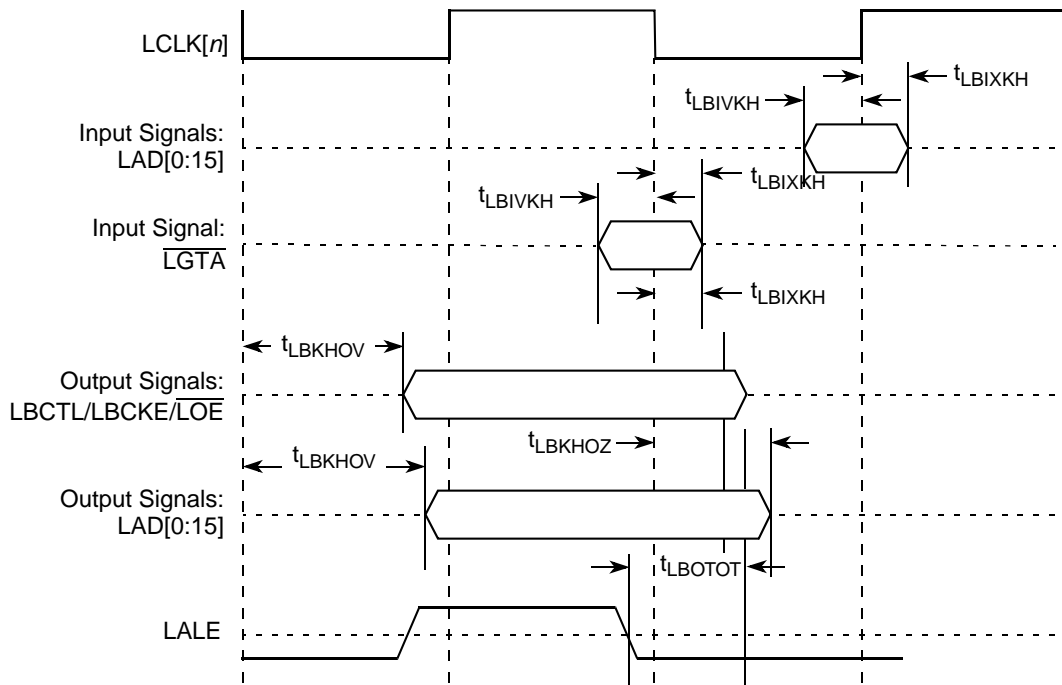


Figure 37. Local Bus Signals, Non-Special Signals Only

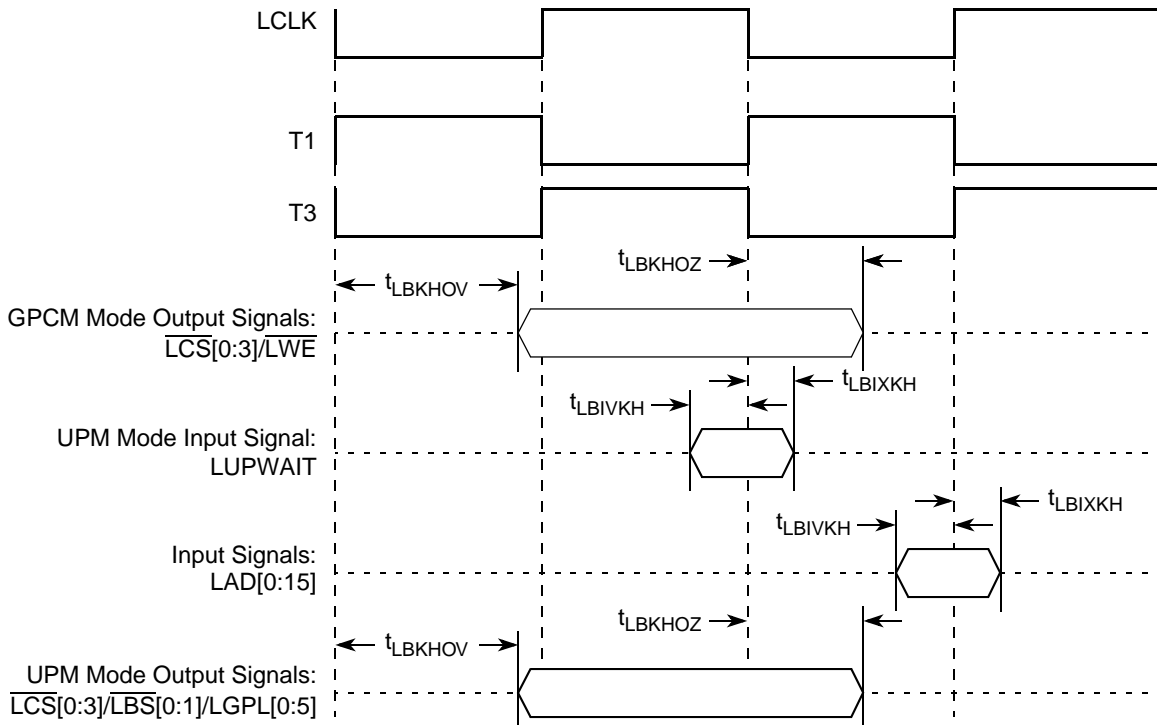
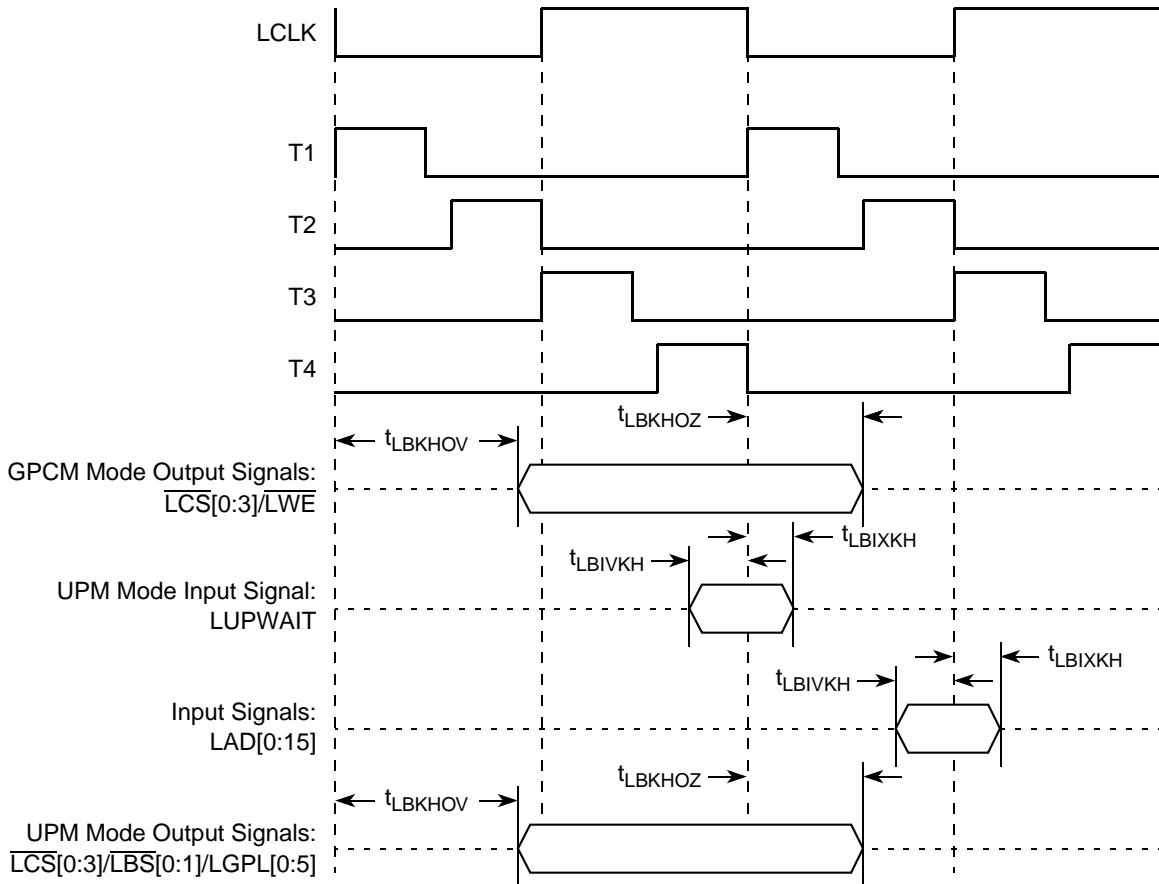
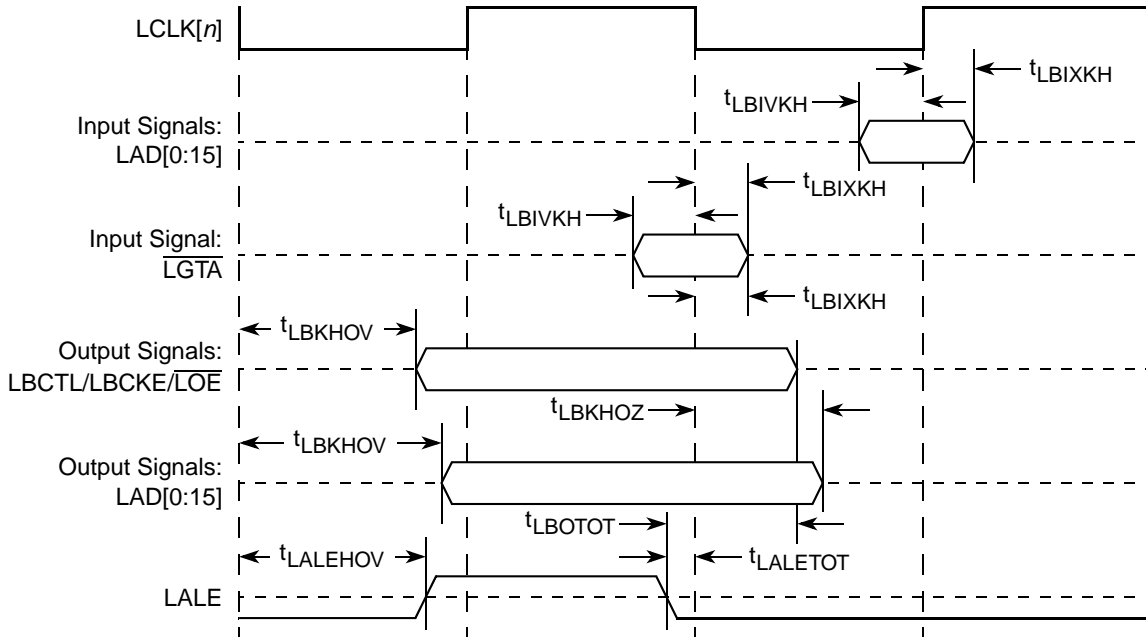


Figure 38. Local Bus Signals, GPCM/UPM Signals for LCRR[CLKDIV] = 2



**Figure 39. Local Bus Signals, GPCM/UPM Signals for LCRR[CLKDIV] = 4**



**Figure 40. Local Bus Signals, LALE with Respect to LCLK**

## 12 JTAG

This section describes the DC and AC electrical specifications for the IEEE Std 1149.1™ (JTAG) interface.

### 12.1 JTAG DC Electrical Characteristics

This table provides the DC electrical characteristics for the IEEE Std 1149.1 (JTAG) interface.

**Table 46. JTAG Interface DC Electrical Characteristics**

Characteristic	Symbol	Condition	Min	Max	Unit
Input high voltage	$V_{IH}$	—	2.1	$NV_{DD} + 0.3$	V
Input low voltage	$V_{IL}$	—	-0.3	0.8	V
Input current	$I_{IN}$	—	—	±5	μA
Output high voltage	$V_{OH}$	$I_{OH} = -8.0$ mA	2.4	—	V
Output low voltage	$V_{OL}$	$I_{OL} = 8.0$ mA	—	0.5	V
Output low voltage	$V_{OL}$	$I_{OL} = 3.2$ mA	—	0.4	V

### 12.2 JTAG AC Timing Specifications

This section describes the AC electrical specifications for the IEEE Std 1149.1 (JTAG) interface. This table provides the JTAG AC timing specifications as defined in [Figure 41](#) through [Figure 45](#).

**Table 47. JTAG AC Timing Specifications (Independent of SYS\_CLK\_IN)<sup>1</sup>**

At recommended operating conditions (see [Table 2](#)).

Parameter	Symbol <sup>2</sup>	Min	Max	Unit	Note
JTAG external clock frequency of operation	$f_{JTG}$	0	33.3	MHz	
JTAG external clock cycle time	$t_{JTG}$	30	—	ns	
JTAG external clock pulse width measured at 1.4 V	$t_{JTKHKL}$	15	—	ns	
JTAG external clock rise and fall times	$t_{JTGR}$ & $t_{JTGF}$	0	2	ns	
$\overline{TRST}$ assert time	$t_{TRST}$	25	—	ns	3
Input setup times:				ns	
Boundary-scan data TMS, TDI	$t_{JTDVKH}$ $t_{JTIVKH}$	4 4	— —		4
Input hold times:				ns	
Boundary-scan data TMS, TDI	$t_{JTDXKH}$ $t_{JTIXKH}$	10 10	— —		4
Valid times:				ns	
Boundary-scan data TDO	$t_{JTKLDV}$ $t_{JTKLOV}$	2 2	11 11		5
Output hold times:				ns	
Boundary-scan data TDO	$t_{JTKLDX}$ $t_{JTKLOX}$	2 2	— —		5

**Table 47. JTAG AC Timing Specifications (Independent of SYS\_CLK\_IN)<sup>1</sup> (continued)**

At recommended operating conditions (see Table 2).

Parameter	Symbol <sup>2</sup>	Min	Max	Unit	Note
JTAG external clock to output high impedance:					
Boundary-scan data	$t_{\text{JTKLDZ}}$	2	19	ns	5, 6
TDO	$t_{\text{JTKLOZ}}$	2	9		

**Notes:**

- All outputs are measured from the midpoint voltage of the falling/rising edge of  $t_{\text{TCLK}}$  to the midpoint of the signal in question. The output timings are measured at the pins. All output timings assume a purely resistive 50-Ω load (see Figure 34). Time-of-flight delays must be added for trace lengths, vias, and connectors in the system.
- The symbols used for timing specifications follow the pattern of  $t_{\text{(first two letters of functional block)(signal)(state)(reference)(state)}}$  for inputs and  $t_{\text{(first two letters of functional block)(reference)(state)(signal)(state)}}$  for outputs. For example,  $t_{\text{JT D V K H}}$  symbolizes JTAG device timing (JT) with respect to the time data input signals (D) reaching the valid state (V) relative to the  $t_{\text{J T G}}$  clock reference (K) going to the high (H) state or setup time. Also,  $t_{\text{J T D X K H}}$  symbolizes JTAG timing (JT) with respect to the time data input signals (D) went invalid (X) relative to the  $t_{\text{J T G}}$  clock reference (K) going to the high (H) state. Note that, in general, the clock reference symbol representation is based on three letters representing the clock of a particular functional. For rise and fall times, the latter convention is used with the appropriate letter: R (rise) or F (fall).
- $\overline{\text{TRST}}$  is an asynchronous level sensitive signal. The setup time is for test purposes only.
- Non-JTAG signal input timing with respect to  $t_{\text{TCLK}}$ .
- Non-JTAG signal output timing with respect to  $t_{\text{TCLK}}$ .
- Guaranteed by design and characterization.

This figure provides the AC test load for TDO and the boundary-scan outputs.



**Figure 41. AC Test Load for the JTAG Interface**

This figure provides the JTAG clock input timing diagram.



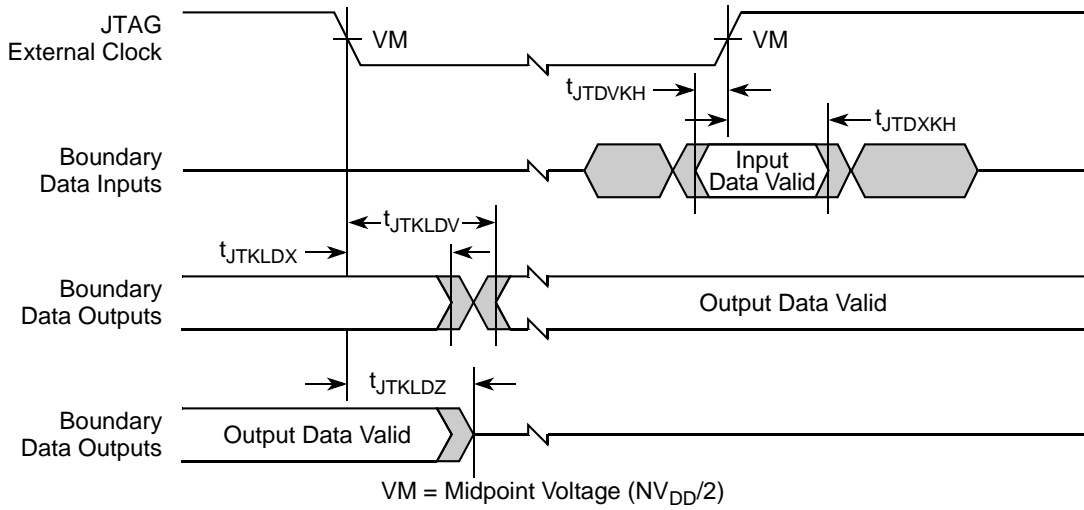
**Figure 42. JTAG Clock Input Timing Diagram**

This figure provides the  $\overline{\text{TRST}}$  timing diagram.



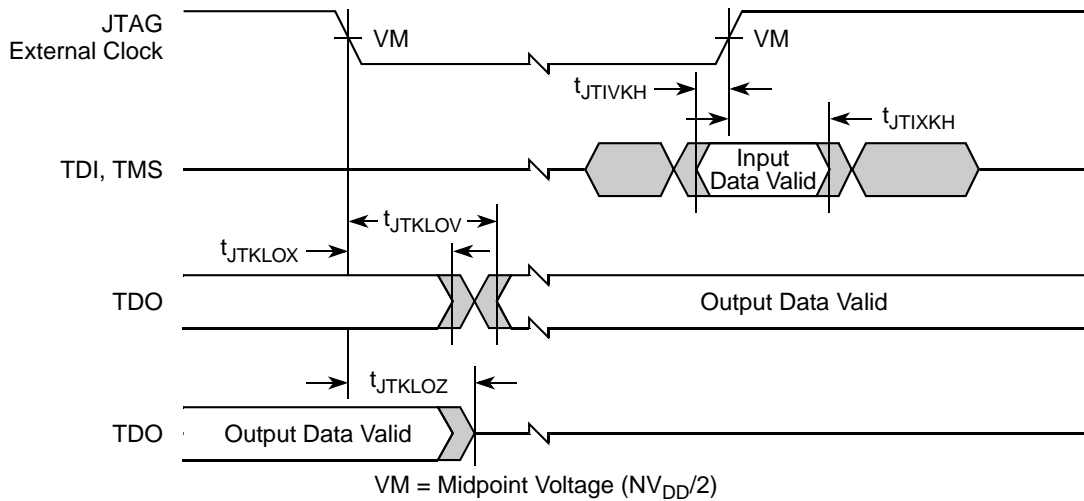
**Figure 43.  $\overline{\text{TRST}}$  Timing Diagram**

This figure provides the boundary-scan timing diagram.



**Figure 44. Boundary-Scan Timing Diagram**

This figure provides the test access port timing diagram.



**Figure 45. Test Access Port Timing Diagram**

## 13 I<sup>2</sup>C

This section describes the DC and AC electrical characteristics for the I<sup>2</sup>C interface.

### 13.1 I<sup>2</sup>C DC Electrical Characteristics

This table provides the DC electrical characteristics for the I<sup>2</sup>C interface.

**Table 48. I<sup>2</sup>C DC Electrical Characteristics**

At recommended operating conditions with  $NV_{DD}$  of  $3.3\text{ V} \pm 0.3\text{ V}$ .

Parameter	Symbol	Min	Max	Unit	Note
Input high voltage level	$V_{IH}$	$0.7 \times NV_{DD}$	$NV_{DD} + 0.3$	V	
Input low voltage level	$V_{IL}$	-0.3	$0.3 \times NV_{DD}$	V	
Low level output voltage	$V_{OL}$	0	$0.2 \times NV_{DD}$	V	1
Output fall time from $V_{IH}(\text{min})$ to $V_{IL}(\text{max})$ with a bus capacitance from 10 to 400 pF	$t_{I2KLV}$	$20 + 0.1 \times C_B$	250	ns	2
Pulse width of spikes which must be suppressed by the input filter	$t_{I2KHKL}$	0	50	ns	3
Capacitance for each I/O pin	$C_I$	—	10	pF	
Input current, ( $0\text{ V} \leq V_{IN} \leq NV_{DD}$ )	$I_{IN}$	—	$\pm 5$	$\mu\text{A}$	4

**Notes:**

1. Output voltage (open drain or open collector) condition = 3 mA sink current.
2.  $C_B$  = capacitance of one bus line in pF.
3. Refer to the *MPC8313E PowerQUICC II Pro Integrated Processor Family Reference Manual*, for information on the digital filter used.
4. I/O pins obstruct the SDA and SCL lines if  $NV_{DD}$  is switched off.

### 13.2 I<sup>2</sup>C AC Electrical Specifications

This table provides the AC timing parameters for the I<sup>2</sup>C interface.

**Table 49. I<sup>2</sup>C AC Electrical Specifications**

All values refer to  $V_{IH}(\text{min})$  and  $V_{IL}(\text{max})$  levels (see Table 48).

Parameter	Symbol <sup>1</sup>	Min	Max	Unit
SCL clock frequency	$f_{I2C}$	0	400	kHz
Low period of the SCL clock	$t_{I2CL}$	1.3	—	$\mu\text{s}$
High period of the SCL clock	$t_{I2CH}$	0.6	—	$\mu\text{s}$
Setup time for a repeated START condition	$t_{I2SVKH}$	0.6	—	$\mu\text{s}$
Hold time (repeated) START condition (after this period, the first clock pulse is generated)	$t_{I2SXKL}$	0.6	—	$\mu\text{s}$
Data setup time	$t_{I2DVKH}$	100	—	ns

**Table 49. I<sup>2</sup>C AC Electrical Specifications (continued)**

All values refer to  $V_{IH}$  (min) and  $V_{IL}$  (max) levels (see Table 48).

Parameter	Symbol <sup>1</sup>	Min	Max	Unit
Data hold time: CBUS compatible masters I <sup>2</sup> C bus devices	$t_{I2DXKL}$	— 0 <sup>2</sup>	— 0.9 <sup>3</sup>	$\mu\text{s}$
Fall time of both SDA and SCL signals <sup>5</sup>	$t_{I2CF}$	—	300	ns
Setup time for STOP condition	$t_{I2PVKH}$	0.6	—	$\mu\text{s}$
Bus free time between a STOP and START condition	$t_{I2KHDX}$	1.3	—	$\mu\text{s}$
Noise margin at the LOW level for each connected device (including hysteresis)	$V_{NL}$	$0.1 \times NV_{DD}$	—	V
Noise margin at the HIGH level for each connected device (including hysteresis)	$V_{NH}$	$0.2 \times NV_{DD}$	—	V

**Notes:**

1. The symbols used for timing specifications follow the pattern of  $t_{(\text{first two letters of functional block})(\text{signal})(\text{state})(\text{reference})(\text{state})}$  for inputs and  $t_{(\text{first two letters of functional block})(\text{reference})(\text{state})(\text{signal})(\text{state})}$  for outputs. For example,  $t_{I2DVKH}$  symbolizes I<sup>2</sup>C timing (I2) with respect to the time data input signals (D) reach the valid state (V) relative to the  $t_{I2C}$  clock reference (K) going to the high (H) state or setup time. Also,  $t_{I2SXKL}$  symbolizes I<sup>2</sup>C timing (I2) for the time that the data with respect to the start condition (S) went invalid (X) relative to the  $t_{I2C}$  clock reference (K) going to the low (L) state or hold time. Also,  $t_{I2PVKH}$  symbolizes I<sup>2</sup>C timing (I2) for the time that the data with respect to the stop condition (P) reaching the valid state (V) relative to the  $t_{I2C}$  clock reference (K) going to the high (H) state or setup time. For rise and fall times, the latter convention is used with the appropriate letter: R (rise) or F (fall).
2. The MPC8313E provides a hold time of at least 300 ns for the SDA signal (referred to the  $V_{IHmin}$  of the SCL signal) to bridge the undefined region of the falling edge of SCL.
3. The maximum  $t_{I2DVKH}$  has only to be met if the device does not stretch the LOW period ( $t_{I2CL}$ ) of the SCL signal.
4.  $C_B$  = capacitance of one bus line in pF.
5. The MPC8313E does not follow the *I<sup>2</sup>C-BUS Specifications, Version 2.1*, regarding the  $t_{I2CF}$  AC parameter.

This figure provides the AC test load for the I<sup>2</sup>C.



**Figure 46. I<sup>2</sup>C AC Test Load**

This figure shows the AC timing diagram for the I<sup>2</sup>C bus.

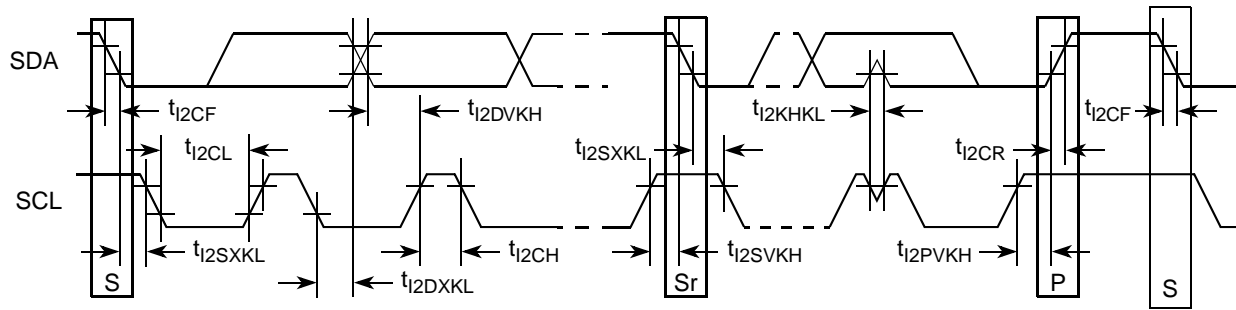


Figure 47. I<sup>2</sup>C Bus AC Timing Diagram

## 14 PCI

This section describes the DC and AC electrical specifications for the PCI bus.

### 14.1 PCI DC Electrical Characteristics

This table provides the DC electrical characteristics for the PCI interface.

Table 50. PCI DC Electrical Characteristics<sup>1</sup>

Parameter	Symbol	Test Condition	Min	Max	Unit
High-level input voltage	$V_{IH}$	$V_{OUT} \geq V_{OH} (\text{min})$ or	$0.5 \times NV_{DD}$	$NV_{DD} + 0.3$	V
Low-level input voltage	$V_{IL}$	$V_{OUT} \leq V_{OL} (\text{max})$	-0.5	$0.3 \times NV_{DD}$	V
High-level output voltage	$V_{OH}$	$NV_{DD} = \text{min}, I_{OH} = -100 \mu\text{A}$	$0.9 \times NV_{DD}$	—	V
Low-level output voltage	$V_{OL}$	$NV_{DD} = \text{min}, I_{OL} = 100 \mu\text{A}$	—	$0.1 \times NV_{DD}$	V
Input current	$I_{IN}$	$0 \text{ V} \leq V_{IN} \leq NV_{DD}$	—	$\pm 5$	$\mu\text{A}$

**Note:**

- Note that the symbol  $V_{IN}$ , in this case, represents the  $NV_{IN}$  symbol referenced in [Table 1](#) and [Table 2](#).

### 14.2 PCI AC Electrical Specifications

This section describes the general AC timing parameters of the PCI bus. Note that the PCI\_CLK or PCI\_SYNC\_IN signal is used as the PCI input clock depending on whether the MPC8313E is configured as a host or agent device.

This table shows the PCI AC timing specifications at 66 MHz.

Table 51. PCI AC Timing Specifications at 66 MHz

Parameter	Symbol <sup>1</sup>	Min	Max	Unit	Note
Clock to output valid	$t_{PCKHOV}$	—	6.0	ns	2
Output hold from clock	$t_{PCKHOX}$	1	—	ns	2



**Table 51. PCI AC Timing Specifications at 66 MHz (continued)**

Parameter	Symbol <sup>1</sup>	Min	Max	Unit	Note
Clock to output high impedance	$t_{PCKHOZ}$	—	14	ns	2, 3
Input setup to clock	$t_{PCIVKH}$	3.0	—	ns	2, 4
Input hold from clock	$t_{PCIXKH}$	0	—	ns	2, 4

**Notes:**

1. The symbols used for timing specifications follow the pattern of  $t_{(first\ two\ letters\ of\ functional\ block)(signal)(state)(reference)(state)}$  for inputs and  $t_{(first\ two\ letters\ of\ functional\ block)(reference)(state)(signal)(state)}$  for outputs. For example,  $t_{PCIVKH}$  symbolizes PCI timing (PC) with respect to the time the input signals (I) reach the valid state (V) relative to the PCI\_SYNC\_IN clock,  $t_{SYS}$ , reference (K) going to the high (H) state or setup time. Also,  $t_{PCRHFV}$  symbolizes PCI timing (PC) with respect to the time hard reset (R) went high (H) relative to the frame signal (F) going to the valid (V) state.
2. See the timing measurement conditions in the *PCI 2.3 Local Bus Specifications*.
3. For purposes of active/float timing measurements, the Hi-Z or off state is defined to be when the total current delivered through the component pin is less than or equal to the leakage current specification.
4. Input timings are measured at the pin.

This table shows the PCI AC timing specifications at 33 MHz.

**Table 52. PCI AC Timing Specifications at 33 MHz**

Parameter	Symbol <sup>1</sup>	Min	Max	Unit	Note
Clock to output valid	$t_{PCKHOV}$	—	11	ns	2
Output hold from clock	$t_{PCKHOX}$	2	—	ns	2
Clock to output high impedance	$t_{PCKHOZ}$	—	14	ns	2, 3
Input setup to clock	$t_{PCIVKH}$	3.0	—	ns	2, 4
Input hold from clock	$t_{PCIXKH}$	0	—	ns	2, 4

**Notes:**

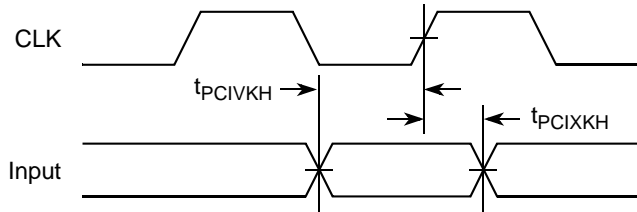
1. The symbols used for timing specifications follow the pattern of  $t_{(first\ two\ letters\ of\ functional\ block)(signal)(state)(reference)(state)}$  for inputs and  $t_{(first\ two\ letters\ of\ functional\ block)(reference)(state)(signal)(state)}$  for outputs. For example,  $t_{PCIVKH}$  symbolizes PCI timing (PC) with respect to the time the input signals (I) reach the valid state (V) relative to the PCI\_SYNC\_IN clock,  $t_{SYS}$ , reference (K) going to the high (H) state or setup time. Also,  $t_{PCRHFV}$  symbolizes PCI timing (PC) with respect to the time hard reset (R) went high (H) relative to the frame signal (F) going to the valid (V) state.
2. See the timing measurement conditions in the *PCI 2.3 Local Bus Specifications*.
3. For purposes of active/float timing measurements, the Hi-Z or off state is defined to be when the total current delivered through the component pin is less than or equal to the leakage current specification.
4. Input timings are measured at the pin.

This figure provides the AC test load for PCI.



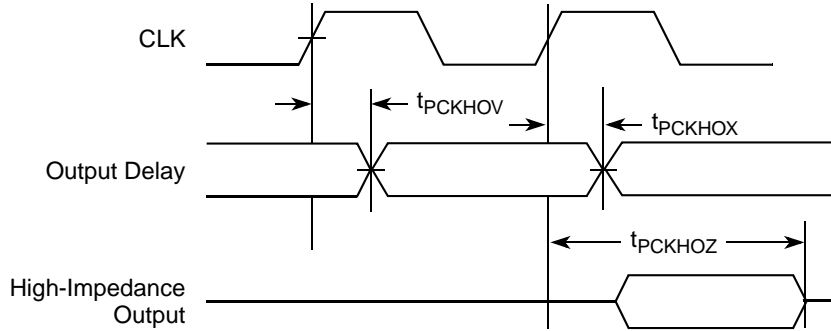
**Figure 48. PCI AC Test Load**

This figure shows the PCI input AC timing conditions.



**Figure 49. PCI Input AC Timing Measurement Conditions**

This figure shows the PCI output AC timing conditions.



**Figure 50. PCI Output AC Timing Measurement Condition**

## 15 Timers

This section describes the DC and AC electrical specifications for the timers.

### 15.1 Timers DC Electrical Characteristics

This table provides the DC electrical characteristics for the MPC8313E timers pins, including  $\overline{TIN}$ ,  $\overline{TOUT}$ ,  $\overline{TGATE}$ , and  $RTC\_CLK$ .

**Table 53. Timers DC Electrical Characteristics**

Characteristic	Symbol	Condition	Min	Max	Unit
Output high voltage	$V_{OH}$	$I_{OH} = -8.0 \text{ mA}$	2.4	—	V
Output low voltage	$V_{OL}$	$I_{OL} = 8.0 \text{ mA}$	—	0.5	V
Output low voltage	$V_{OL}$	$I_{OL} = 3.2 \text{ mA}$	—	0.4	V
Input high voltage	$V_{IH}$	—	2.1	$NV_{DD} + 0.3$	V
Input low voltage	$V_{IL}$	—	-0.3	0.8	V
Input current	$I_{IN}$	$0 \text{ V} \leq V_{IN} \leq NV_{DD}$	—	$\pm 5$	$\mu\text{A}$

## 15.2 Timers AC Timing Specifications

This table provides the Timers input and output AC timing specifications.

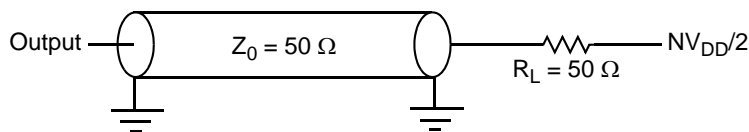
**Table 54. Timers Input AC Timing Specifications<sup>1</sup>**

Characteristic	Symbol <sup>2</sup>	Min	Unit
Timers inputs—minimum pulse width	$t_{TIVID}$	20	ns

**Notes:**

1. Input specifications are measured from the 50% level of the signal to the 50% level of the rising edge of SYS\_CLK\_IN. Timings are measured at the pin.
2. Timers inputs and outputs are asynchronous to any visible clock. Timers outputs should be synchronized before use by any external synchronous logic. Timers inputs are required to be valid for at least  $t_{TIVID}$  ns to ensure proper operation

This figure provides the AC test load for the Timers.



**Figure 51. Timers AC Test Load**

## 16 GPIO

This section describes the DC and AC electrical specifications for the GPIO.

### 16.1 GPIO DC Electrical Characteristics

This table provides the DC electrical characteristics for the GPIO when the GPIO pins are operating from a 3.3-V supply.

**Table 55. GPIO (When Operating at 3.3 V) DC Electrical Characteristics**

Characteristic	Symbol	Condition	Min	Max	Unit
Output high voltage	$V_{OH}$	$I_{OH} = -8.0 \text{ mA}$	2.4	—	V
Output low voltage	$V_{OL}$	$I_{OL} = 8.0 \text{ mA}$	—	0.5	V
Output low voltage	$V_{OL}$	$I_{OL} = 3.2 \text{ mA}$	—	0.4	V
Input high voltage	$V_{IH}$	—	2.0	$NV_{DD} + 0.3$	V
Input low voltage	$V_{IL}$	—	-0.3	0.8	V
Input current	$I_{IN}$	$0 \text{ V} \leq V_{IN} \leq NV_{DD}$	—	$\pm 5$	$\mu\text{A}$

**Note:**

1. This specification only applies to GPIO pins that are operating from a 3.3-V supply. See [Table 62](#) for the power supply listed for the individual GPIO signal.

This table provides the DC electrical characteristics for the GPIO when the GPIO pins are operating from a 2.5-V supply.

**Table 56. GPIO (When Operating at 2.5 V) DC Electrical Characteristics<sup>1</sup>**

Parameters	Symbol	Conditions		Min	Max	Unit
Supply voltage 2.5 V	$NV_{DD}$	—		2.37	2.63	V
Output high voltage	$V_{OH}$	$I_{OH} = -1.0 \text{ mA}$	$NV_{DD} = \text{min}$	2.00	$NV_{DD} + 0.3$	V
Output low voltage	$V_{OL}$	$I_{OL} = 1.0 \text{ mA}$	$NV_{DD} = \text{min}$	$V_{SS} - 0.3$	0.40	V
Input high voltage	$V_{IH}$	—	$NV_{DD} = \text{min}$	1.7	$NV_{DD} + 0.3$	V
Input low voltage	$V_{IL}$	—	$NV_{DD} = \text{min}$	-0.3	0.70	V
Input high current	$I_{IH}$	$V_{IN} = NV_{DD}$		—	10	$\mu\text{A}$
Input low current	$I_{IL}$	$V_{IN} = V_{SS}$		-15	—	$\mu\text{A}$

**Note:**

1. This specification only applies to GPIO pins that are operating from a 2.5-V supply. See [Table 62](#) for the power supply listed for the individual GPIO signal

## 16.2 GPIO AC Timing Specifications

This table provides the GPIO input and output AC timing specifications.

**Table 57. GPIO Input AC Timing Specifications<sup>1</sup>**

Characteristic	Symbol <sup>2</sup>	Min	Unit
GPIO inputs—minimum pulse width	$t_{PIWID}$	20	ns

**Notes:**

1. Input specifications are measured from the 50% level of the signal to the 50% level of the rising edge of SYS\_CLKIN. Timings are measured at the pin.
2. GPIO inputs and outputs are asynchronous to any visible clock. GPIO outputs should be synchronized before use by any external synchronous logic. GPIO inputs are required to be valid for at least  $t_{PIWID}$  ns to ensure proper operation.

This figure provides the AC test load for the GPIO.



**Figure 52. GPIO AC Test Load**

## 17 IPIC

This section describes the DC and AC electrical specifications for the external interrupt pins.

### 17.1 IPIC DC Electrical Characteristics

This table provides the DC electrical characteristics for the external interrupt pins.

**Table 58. IPIC DC Electrical Characteristics**

Characteristic	Symbol	Condition	Min	Max	Unit
Input high voltage	$V_{IH}$	—	2.1	$NV_{DD} + 0.3$	V
Input low voltage	$V_{IL}$	—	-0.3	0.8	V
Input current	$I_{IN}$	—	—	$\pm 5$	$\mu A$
Output low voltage	$V_{OL}$	$I_{OL} = 8.0 \text{ mA}$	—	0.5	V
Output low voltage	$V_{OL}$	$I_{OL} = 3.2 \text{ mA}$	—	0.4	V

### 17.2 IPIC AC Timing Specifications

This table provides the IPIC input and output AC timing specifications.

**Table 59. IPIC Input AC Timing Specifications<sup>1</sup>**

Characteristic	Symbol <sup>2</sup>	Min	Unit
IPIC inputs—minimum pulse width	$t_{PIWID}$	20	ns

**Note:**

1. Input specifications are measured from the 50% level of the signal to the 50% level of the rising edge of SYS\_CLK\_IN. Timings are measured at the pin.
2. IPIC inputs and outputs are asynchronous to any visible clock. IPIC outputs should be synchronized before use by any external synchronous logic. IPIC inputs are required to be valid for at least  $t_{PIWID}$  ns to ensure proper operation when working in edge triggered mode.

## 18 SPI

This section describes the DC and AC electrical specifications for the SPI of the MPC8313E.

### 18.1 SPI DC Electrical Characteristics

This table provides the DC electrical characteristics for the MPC8313E SPI.

**Table 60. SPI DC Electrical Characteristics**

Characteristic	Symbol	Condition	Min	Max	Unit
Output high voltage	$V_{OH}$	$I_{OH} = -6.0 \text{ mA}$	2.4	—	V
Output low voltage	$V_{OL}$	$I_{OL} = 6.0 \text{ mA}$	—	0.5	V
Output low voltage	$V_{OL}$	$I_{OL} = 3.2 \text{ mA}$	—	0.4	V

**Table 60. SPI DC Electrical Characteristics (continued)**

Characteristic	Symbol	Condition	Min	Max	Unit
Input high voltage	$V_{IH}$	—	2.1	$NV_{DD} + 0.3$	V
Input low voltage	$V_{IL}$	—	-0.3	0.8	V
Input current	$I_{IN}$	$0\text{ V} \leq V_{IN} \leq NV_{DD}$	—	$\pm 5$	$\mu\text{A}$

## 18.2 SPI AC Timing Specifications

This table and provide the SPI input and output AC timing specifications.

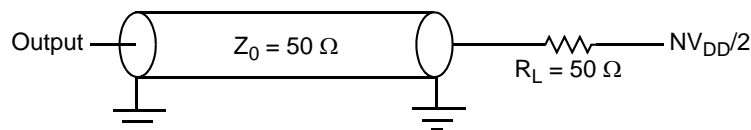
**Table 61. SPI AC Timing Specifications<sup>1</sup>**

Characteristic	Symbol <sup>2</sup>	Min	Max	Unit
SPI outputs—master mode (internal clock) delay	$t_{NIKH OV}$	0.5	6	ns
SPI outputs—slave mode (external clock) delay	$t_{NEKH OV}$	2	8	ns
SPI inputs—master mode (internal clock) input setup time	$t_{NIIVKH}$	6	—	ns
SPI inputs—master mode (internal clock) input hold time	$t_{NIIXKH}$	0	—	ns
SPI inputs—slave mode (external clock) input setup time	$t_{NEIVKH}$	4	—	ns
SPI inputs—slave mode (external clock) input hold time	$t_{NEIXKH}$	2	—	ns

**Note:**

1. Output specifications are measured from the 50% level of the rising edge of SYS\_CLK\_IN to the 50% level of the signal. Timings are measured at the pin.
2. The symbols used for timing specifications follow the pattern of  $t_{(\text{first two letters of functional block})(\text{signal})(\text{state})(\text{reference})(\text{state})}$  for inputs and  $t_{(\text{first two letters of functional block})(\text{reference})(\text{state})(\text{signal})(\text{state})}$  for outputs. For example,  $t_{NIKH OV}$  symbolizes the NMSI outputs internal timing (NI) for the time  $t_{SPI}$  memory clock reference (K) goes from the high state (H) until outputs (O) are valid (V).

This figure provides the AC test load for the SPI.



**Figure 53. SPI AC Test Load**

Figure 54 and Figure 55 represent the AC timing from Table 61. Note that although the specifications generally reference the rising edge of the clock, these AC timing diagrams also apply when the falling edge is the active edge.

This figure shows the SPI timing in slave mode (external clock).



**Figure 54. SPI AC Timing in Slave Mode (External Clock) Diagram**

This figure shows the SPI timing in master mode (internal clock).



**Figure 55. SPI AC Timing in Master Mode (Internal Clock) Diagram**

## 19 Package and Pin Listings

This section details package parameters, pin assignments, and dimensions. The MPC8313E is available in a thermally enhanced plastic ball grid array (TEPBGAII), see [Section 19.1, “Package Parameters for the MPC8313E TEPBGAII,”](#) and [Section 19.2, “Mechanical Dimensions of the MPC8313E TEPBGAII,”](#) for information on the TEPBGAII.

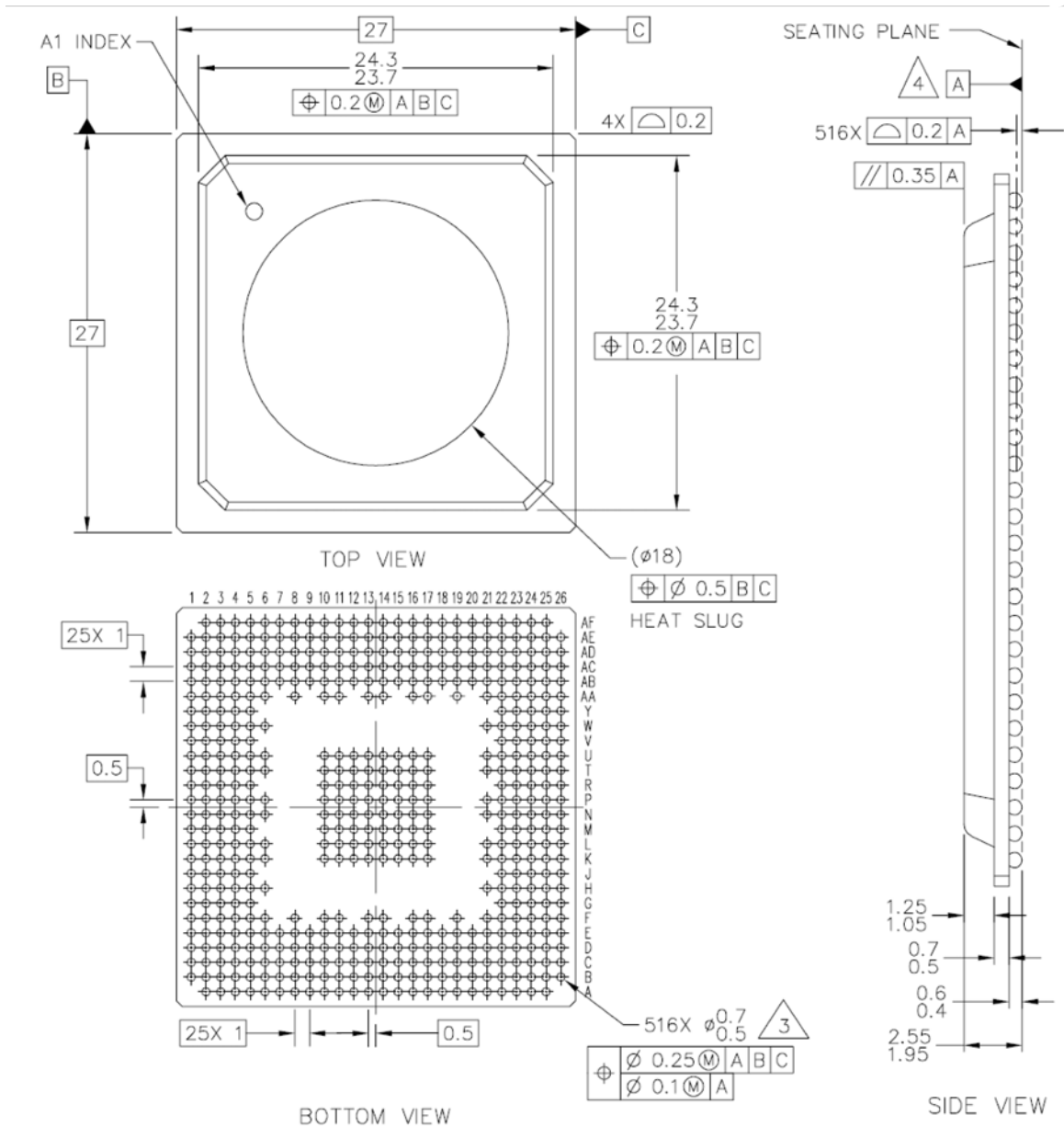
### 19.1 Package Parameters for the MPC8313E TEPBGAII

The package parameters are as provided in the following list. The package type is 27 mm × 27 mm, 516 TEPBGAII.

Package outline	27 mm × 27 mm
Interconnects	516
Pitch	1.00 mm
Module height (typical)	2.25 mm
Solder Balls	96.5 Sn/3.5 Ag (VR package) , 62 Sn/36 Pb/2 Ag (ZQ package) Ball diameter (typical)
0.6 mm	

## 19.2 Mechanical Dimensions of the MPC8313E TEPBGAI

This figure shows the mechanical dimensions and bottom surface nomenclature of the 516-TEPBGAI package.



### Notes:

1. All dimensions are in millimeters.
2. Dimensions and tolerances per ASME Y14.5M-1994.
3. Maximum solder ball diameter measured parallel to datum A.
4. Datum A, the seating plane, is determined by the spherical crowns of the solder balls.
5. Package code 5368 is to account for PGE and the built-in heat spreader.

Figure 56. Mechanical Dimension and Bottom Surface Nomenclature of the MPC8313E TEPBGAI



## 19.3 Pinout Listings

This table provides the pin-out listing for the MPC8313E, TEPBGAI package.

**Table 62. MPC8313E TEPBGAI Pinout Listing**

Signal	Package Pin Number	Pin Type	Power Supply	Note
<b>DDR Memory Controller Interface</b>				
MEMC_MDQ0	A8	I/O	GV <sub>DD</sub>	—
MEMC_MDQ1	A9	I/O	GV <sub>DD</sub>	—
MEMC_MDQ2	C10	I/O	GV <sub>DD</sub>	—
MEMC_MDQ3	C9	I/O	GV <sub>DD</sub>	—
MEMC_MDQ4	E9	I/O	GV <sub>DD</sub>	—
MEMC_MDQ5	E11	I/O	GV <sub>DD</sub>	—
MEMC_MDQ6	E10	I/O	GV <sub>DD</sub>	—
MEMC_MDQ7	C8	I/O	GV <sub>DD</sub>	—
MEMC_MDQ8	E8	I/O	GV <sub>DD</sub>	—
MEMC_MDQ9	A6	I/O	GV <sub>DD</sub>	—
MEMC_MDQ10	B6	I/O	GV <sub>DD</sub>	—
MEMC_MDQ11	C6	I/O	GV <sub>DD</sub>	—
MEMC_MDQ12	C7	I/O	GV <sub>DD</sub>	—
MEMC_MDQ13	D7	I/O	GV <sub>DD</sub>	—
MEMC_MDQ14	D6	I/O	GV <sub>DD</sub>	—
MEMC_MDQ15	A5	I/O	GV <sub>DD</sub>	—
MEMC_MDQ16	A19	I/O	GV <sub>DD</sub>	—
MEMC_MDQ17	D18	I/O	GV <sub>DD</sub>	—
MEMC_MDQ18	A17	I/O	GV <sub>DD</sub>	—
MEMC_MDQ19	E17	I/O	GV <sub>DD</sub>	—
MEMC_MDQ20	E16	I/O	GV <sub>DD</sub>	—
MEMC_MDQ21	C18	I/O	GV <sub>DD</sub>	—
MEMC_MDQ22	D19	I/O	GV <sub>DD</sub>	—
MEMC_MDQ23	C19	I/O	GV <sub>DD</sub>	—
MEMC_MDQ24	E19	I/O	GV <sub>DD</sub>	—
MEMC_MDQ25	A22	I/O	GV <sub>DD</sub>	—
MEMC_MDQ26	C21	I/O	GV <sub>DD</sub>	—
MEMC_MDQ27	C20	I/O	GV <sub>DD</sub>	—
MEMC_MDQ28	A21	I/O	GV <sub>DD</sub>	—

**Table 62. MPC8313E TEPBGAI Pinout Listing (continued)**

Signal	Package Pin Number	Pin Type	Power Supply	Note
MEMC_MDQ29	A20	I/O	GV <sub>DD</sub>	—
MEMC_MDQ30	C22	I/O	GV <sub>DD</sub>	—
MEMC_MDQ31	B22	I/O	GV <sub>DD</sub>	—
MEMC_MDM0	B7	O	GV <sub>DD</sub>	—
MEMC_MDM1	E6	O	GV <sub>DD</sub>	—
MEMC_MDM2	E18	O	GV <sub>DD</sub>	—
MEMC_MDM3	E20	O	GV <sub>DD</sub>	—
MEMC_MDQS0	A7	I/O	GV <sub>DD</sub>	—
MEMC_MDQS1	E7	I/O	GV <sub>DD</sub>	—
MEMC_MDQS2	B19	I/O	GV <sub>DD</sub>	—
MEMC_MDQS3	A23	I/O	GV <sub>DD</sub>	—
MEMC_MBA0	D15	O	GV <sub>DD</sub>	—
MEMC_MBA1	A18	O	GV <sub>DD</sub>	—
MEMC_MBA2	A15	O	GV <sub>DD</sub>	—
MEMC_MA0	E12	O	GV <sub>DD</sub>	—
MEMC_MA1	D11	O	GV <sub>DD</sub>	—
MEMC_MA2	B11	O	GV <sub>DD</sub>	—
MEMC_MA3	A11	O	GV <sub>DD</sub>	—
MEMC_MA4	A12	O	GV <sub>DD</sub>	—
MEMC_MA5	E13	O	GV <sub>DD</sub>	—
MEMC_MA6	C12	O	GV <sub>DD</sub>	—
MEMC_MA7	E14	O	GV <sub>DD</sub>	—
MEMC_MA8	B15	O	GV <sub>DD</sub>	—
MEMC_MA9	C17	O	GV <sub>DD</sub>	—
MEMC_MA10	C13	O	GV <sub>DD</sub>	—
MEMC_MA11	A16	O	GV <sub>DD</sub>	—
MEMC_MA12	C15	O	GV <sub>DD</sub>	—
MEMC_MA13	C16	O	GV <sub>DD</sub>	—
MEMC_MA14	E15	O	GV <sub>DD</sub>	—
MEMC_MWE	B18	O	GV <sub>DD</sub>	—
MEMC_MRAS	C11	O	GV <sub>DD</sub>	—
MEMC_MCAS	B10	O	GV <sub>DD</sub>	—

**Table 62. MPC8313E TEPBGAI Pinout Listing (continued)**

Signal	Package Pin Number	Pin Type	Power Supply	Note
$\overline{\text{MEMC\_MCS0}}$	D10	O	$\text{GV}_{\text{DD}}$	—
$\overline{\text{MEMC\_MCS1}}$	A10	O	$\text{GV}_{\text{DD}}$	—
MEMC_MCKE	B14	O	$\text{GV}_{\text{DD}}$	3
MEMC_MCK	A13	O	$\text{GV}_{\text{DD}}$	—
$\overline{\text{MEMC\_MCK}}$	A14	O	$\text{GV}_{\text{DD}}$	—
MEMC_MODT0	B23	O	$\text{GV}_{\text{DD}}$	—
MEMC_MODT1	C23	O	$\text{GV}_{\text{DD}}$	—
<b>Local Bus Controller Interface</b>				
LAD0	K25	I/O	$\text{LV}_{\text{DD}}$	11
LAD1	K24	I/O	$\text{LV}_{\text{DD}}$	11
LAD2	K23	I/O	$\text{LV}_{\text{DD}}$	11
LAD3	K22	I/O	$\text{LV}_{\text{DD}}$	11
LAD4	J25	I/O	$\text{LV}_{\text{DD}}$	11
LAD5	J24	I/O	$\text{LV}_{\text{DD}}$	11
LAD6	J23	I/O	$\text{LV}_{\text{DD}}$	11
LAD7	J22	I/O	$\text{LV}_{\text{DD}}$	11
LAD8	H24	I/O	$\text{LV}_{\text{DD}}$	11
LAD9	F26	I/O	$\text{LV}_{\text{DD}}$	11
LAD10	G24	I/O	$\text{LV}_{\text{DD}}$	11
LAD11	F25	I/O	$\text{LV}_{\text{DD}}$	11
LAD12	E25	I/O	$\text{LV}_{\text{DD}}$	11
LAD13	F24	I/O	$\text{LV}_{\text{DD}}$	11
LAD14	G22	I/O	$\text{LV}_{\text{DD}}$	11
LAD15	F23	I/O	$\text{LV}_{\text{DD}}$	11
LA16	AC25	O	$\text{LV}_{\text{DD}}$	11
LA17	AC26	O	$\text{LV}_{\text{DD}}$	11
LA18	AB22	O	$\text{LV}_{\text{DD}}$	11
LA19	AB23	O	$\text{LV}_{\text{DD}}$	11
LA20	AB24	O	$\text{LV}_{\text{DD}}$	11
LA21	AB25	O	$\text{LV}_{\text{DD}}$	11
LA22	AB26	O	$\text{LV}_{\text{DD}}$	11
LA23	E22	O	$\text{LV}_{\text{DD}}$	11

**Table 62. MPC8313E TEPBGAI Pinout Listing (continued)**

Signal	Package Pin Number	Pin Type	Power Supply	Note
LA24	E23	O	LV <sub>DD</sub>	11
LA25	D22	O	LV <sub>DD</sub>	11
$\overline{\text{LCS0}}$	D23	O	LV <sub>DD</sub>	10
$\overline{\text{LCS1}}$	J26	O	LV <sub>DD</sub>	10
$\overline{\text{LCS2}}$	F22	O	LV <sub>DD</sub>	10
$\overline{\text{LCS3}}$	D26	O	LV <sub>DD</sub>	10
$\overline{\text{LWE0/LFWE}}$	E24	O	LV <sub>DD</sub>	10
$\overline{\text{LWE1}}$	H26	O	LV <sub>DD</sub>	10
LBCTL	L22	O	LV <sub>DD</sub>	10
LALE/M1LALE/M2LALE	E26	O	LV <sub>DD</sub>	11
LGPL0/LFCLE	AA23	O	LV <sub>DD</sub>	—
LGPL1/LFALE	AA24	O	LV <sub>DD</sub>	—
LGPL2/ $\overline{\text{LOE/LFRE}}$	AA25	O	LV <sub>DD</sub>	10
LGPL3/ $\overline{\text{LFWP}}$	AA26	O	LV <sub>DD</sub>	—
LGPL4/ $\overline{\text{LGTA/LUPWAIT/LFRB}}$	Y22	I/O	LV <sub>DD</sub>	2
LGPL5	E21	O	LV <sub>DD</sub>	10
LCLK0	H22	O	LV <sub>DD</sub>	11
LCLK1	G26	O	LV <sub>DD</sub>	11
LA0/GPIO0/MSRCID0	AC24	I/O	LV <sub>DD</sub>	—
LA1/GPIO1/MSRCID1	Y24	I/O	LV <sub>DD</sub>	—
LA2/GPIO2/MSRCID2	Y26	I/O	LV <sub>DD</sub>	—
LA3/GPIO3/MSRCID3	W22	I/O	LV <sub>DD</sub>	—
LA4/GPIO4/MSRCID4	W24	I/O	LV <sub>DD</sub>	—
LA5/GPIO5/MDVAL	W26	I/O	LV <sub>DD</sub>	—
LA6/GPIO6	V22	I/O	LV <sub>DD</sub>	—
LA7/GPIO7/TSEC_1588_TRIG2	V23	I/O	LV <sub>DD</sub>	8
LA8/GPIO13/TSEC_1588_ALARM1	V24	I/O	LV <sub>DD</sub>	8
LA9/GPIO14/TSEC_1588_PP3	V25	I/O	LV <sub>DD</sub>	8
LA10/TSEC_1588_CLK	V26	O	LV <sub>DD</sub>	8
LA11/TSEC_1588_GCLK	U22	O	LV <sub>DD</sub>	8
LA12/TSEC_1588_PP1	AD24	O	LV <sub>DD</sub>	8
LA13/TSEC_1588_PP2	L25	O	LV <sub>DD</sub>	8

**Table 62. MPC8313E TEPBGAI Pinout Listing (continued)**

Signal	Package Pin Number	Pin Type	Power Supply	Note
LA14/TSEC_1588_TRIG1	L24	O	LV <sub>DD</sub>	8
LA15/TSEC_1588_ALARM2	K26	O	LV <sub>DD</sub>	8
<b>DUART</b>				
UART_SOUT1/MSRCID0	N2	O	NV <sub>DD</sub>	—
UART_SIN1/MSRCID1	M5	I/O	NV <sub>DD</sub>	—
UART_CTS1/GPIO8/MSRCID2	M1	I/O	NV <sub>DD</sub>	—
UART_RTS1/GPIO9/MSRCID3	K1	I/O	NV <sub>DD</sub>	—
UART_SOUT2/MSRCID4/TSEC_1588_CLK	M3	O	NV <sub>DD</sub>	8
UART_SIN2/MDVAL/TSEC_1588_GCLK	L1	I/O	NV <sub>DD</sub>	8
UART_CTS2/TSEC_1588_PP1	L5	I/O	NV <sub>DD</sub>	8
UART_RTS2/TSEC_1588_PP2	L3	I/O	NV <sub>DD</sub>	8
<b>I<sup>2</sup>C interface</b>				
IIC1_SDA/CKSTOP_OUT/TSEC_1588_TRIG1	J4	I/O	NV <sub>DD</sub>	2, 8
IIC1_SCL/CKSTOP_IN/TSEC_1588_ALARM2	J2	I/O	NV <sub>DD</sub>	2, 8
IIC2_SDA/PMC_PWR_OK/GPIO10	J3	I/O	NV <sub>DD</sub>	2
IIC2_SCL/GPIO11	H5	I/O	NV <sub>DD</sub>	2
<b>Interrupts</b>				
MCP_OUT	G5	O	NV <sub>DD</sub>	2
IRQ0/MCP_IN	K5	I	NV <sub>DD</sub>	—
IRQ1	K4	I	NV <sub>DD</sub>	—
IRQ2	K2	I	NV <sub>DD</sub>	—
IRQ3/CKSTOP_OUT	K3	I/O	NV <sub>DD</sub>	—
IRQ4/CKSTOP_IN/GPIO12	J1	I/O	NV <sub>DD</sub>	—
<b>Configuration</b>				
CFG_CLKIN_DIV	D5	I	NV <sub>DD</sub>	—
EXT_PWR_CTRL	J5	O	NV <sub>DD</sub>	—
CFG_LBIU_MUX_EN	R24	I	NV <sub>DD</sub>	—
<b>JTAG</b>				
TCK	E1	I	NV <sub>DD</sub>	—
TDI	E2	I	NV <sub>DD</sub>	4
TDO	E3	O	NV <sub>DD</sub>	3

Table 62. MPC8313E TEPBGAI Pinout Listing (continued)

Signal	Package Pin Number	Pin Type	Power Supply	Note
TMS	E4	I	NV <sub>DD</sub>	4
$\overline{\text{TRST}}$	E5	I	NV <sub>DD</sub>	4
<b>TEST</b>				
TEST_MODE	F4	I	NV <sub>DD</sub>	6
<b>DEBUG</b>				
$\overline{\text{QUIESCE}}$	F5	O	NV <sub>DD</sub>	—
<b>System Control</b>				
$\overline{\text{HRESET}}$	F2	I/O	NV <sub>DD</sub>	1
$\overline{\text{PORESET}}$	F3	I	NV <sub>DD</sub>	—
$\overline{\text{SRESET}}$	F1	I	NV <sub>DD</sub>	—
<b>Clocks</b>				
SYS_CR_CLK_IN	U26	I	NV <sub>DD</sub>	—
SYS_CR_CLK_OUT	U25	O	NV <sub>DD</sub>	—
SYS_CLK_IN	U23	I	NV <sub>DD</sub>	—
USB_CR_CLK_IN	T26	I	NV <sub>DD</sub>	—
USB_CR_CLK_OUT	R26	O	NV <sub>DD</sub>	—
USB_CLK_IN	T22	I	NV <sub>DD</sub>	—
PCI_SYNC_OUT	U24	O	NV <sub>DD</sub>	3
RTC_PIT_CLOCK	R22	I	NV <sub>DD</sub>	—
PCI_SYNC_IN	T24	I	NV <sub>DD</sub>	—
<b>MISC</b>				
THERM0	N1	I	NV <sub>DD</sub>	7
THERM1	N3	I	NV <sub>DD</sub>	7
<b>PCI</b>				
$\overline{\text{PCI\_INTA}}$	AF7	O	NV <sub>DD</sub>	—
$\overline{\text{PCI\_RESET\_OUT}}$	AB11	O	NV <sub>DD</sub>	—
PCI_AD0	AB20	I/O	NV <sub>DD</sub>	—
PCI_AD1	AF23	I/O	NV <sub>DD</sub>	—
PCI_AD2	AF22	I/O	NV <sub>DD</sub>	—
PCI_AD3	AB19	I/O	NV <sub>DD</sub>	—
PCI_AD4	AE22	I/O	NV <sub>DD</sub>	—
PCI_AD5	AF21	I/O	NV <sub>DD</sub>	—

**Table 62. MPC8313E TEPBGAI Pinout Listing (continued)**

Signal	Package Pin Number	Pin Type	Power Supply	Note
PCI_AD6	AD19	I/O	NV <sub>DD</sub>	—
PCI_AD7	AD20	I/O	NV <sub>DD</sub>	—
PCI_AD8	AC18	I/O	NV <sub>DD</sub>	—
PCI_AD9	AD18	I/O	NV <sub>DD</sub>	—
PCI_AD10	AB18	I/O	NV <sub>DD</sub>	—
PCI_AD11	AE19	I/O	NV <sub>DD</sub>	—
PCI_AD12	AB17	I/O	NV <sub>DD</sub>	—
PCI_AD13	AE18	I/O	NV <sub>DD</sub>	—
PCI_AD14	AD17	I/O	NV <sub>DD</sub>	—
PCI_AD15	AF19	I/O	NV <sub>DD</sub>	—
PCI_AD16	AB14	I/O	NV <sub>DD</sub>	—
PCI_AD17	AF15	I/O	NV <sub>DD</sub>	—
PCI_AD18	AD14	I/O	NV <sub>DD</sub>	—
PCI_AD19	AE14	I/O	NV <sub>DD</sub>	—
PCI_AD20	AF12	I/O	NV <sub>DD</sub>	—
PCI_AD21	AE11	I/O	NV <sub>DD</sub>	—
PCI_AD22	AD12	I/O	NV <sub>DD</sub>	—
PCI_AD23	AB13	I/O	NV <sub>DD</sub>	—
PCI_AD24	AF9	I/O	NV <sub>DD</sub>	—
PCI_AD25	AD11	I/O	NV <sub>DD</sub>	—
PCI_AD26	AE10	I/O	NV <sub>DD</sub>	—
PCI_AD27	AB12	I/O	NV <sub>DD</sub>	—
PCI_AD28	AD10	I/O	NV <sub>DD</sub>	—
PCI_AD29	AC10	I/O	NV <sub>DD</sub>	—
PCI_AD30	AF10	I/O	NV <sub>DD</sub>	—
PCI_AD31	AF8	I/O	NV <sub>DD</sub>	—
PCI_C/BE0	AC19	I/O	NV <sub>DD</sub>	—
PCI_C/BE1	AB15	I/O	NV <sub>DD</sub>	—
PCI_C/BE2	AF14	I/O	NV <sub>DD</sub>	—
PCI_C/BE3	AF11	I/O	NV <sub>DD</sub>	—
PCI_PAR	AD16	I/O	NV <sub>DD</sub>	—
PCI_FRAME	AF16	I/O	NV <sub>DD</sub>	5

**Table 62. MPC8313E TEPBGAI Pinout Listing (continued)**

Signal	Package Pin Number	Pin Type	Power Supply	Note
$\overline{\text{PCI\_TRDY}}$	AD13	I/O	NV <sub>DD</sub>	5
$\overline{\text{PCI\_IRDY}}$	AC15	I/O	NV <sub>DD</sub>	5
$\overline{\text{PCI\_STOP}}$	AF13	I/O	NV <sub>DD</sub>	5
$\overline{\text{PCI\_DEVSEL}}$	AC14	I/O	NV <sub>DD</sub>	5
PCI_IDSEL	AF20	I	NV <sub>DD</sub>	—
$\overline{\text{PCI\_SERR}}$	AE15	I/O	NV <sub>DD</sub>	5
$\overline{\text{PCI\_PERR}}$	AD15	I/O	NV <sub>DD</sub>	5
$\overline{\text{PCI\_REQ0}}$	AB10	I/O	NV <sub>DD</sub>	—
$\overline{\text{PCI\_REQ1/CPCI\_HS\_ES}}$	AD9	I	NV <sub>DD</sub>	—
$\overline{\text{PCI\_REQ2}}$	AD8	I	NV <sub>DD</sub>	—
$\overline{\text{PCI\_GNT0}}$	AC11	I/O	NV <sub>DD</sub>	—
$\overline{\text{PCI\_GNT1/CPCI\_HS\_LED}}$	AE7	O	NV <sub>DD</sub>	—
$\overline{\text{PCI\_GNT2/CPCI\_HS\_ENUM}}$	AD7	O	NV <sub>DD</sub>	—
M66EN	AD21	I	NV <sub>DD</sub>	—
PCI_CLK0	AF17	O	NV <sub>DD</sub>	—
PCI_CLK1	AB16	O	NV <sub>DD</sub>	—
PCI_CLK2	AF18	O	NV <sub>DD</sub>	—
$\overline{\text{PCI\_PME}}$	AD22	I/O	NV <sub>DD</sub>	5
<b>ETSEC1/_USBULPI</b>				
TSEC1_COL/USBDR_TXDRXD0	AD2	I/O	LV <sub>DDB</sub>	—
TSEC1_CRS/USBDR_TXDRXD1	AC3	I/O	LV <sub>DDB</sub>	—
TSEC1_GTX_CLK/USBDR_TXDRXD2	AF3	I/O	LV <sub>DDB</sub>	3, 12
TSEC1_RX_CLK/USBDR_TXDRXD3	AE3	I/O	LV <sub>DDB</sub>	—
TSEC1_RX_DV/USBDR_TXDRXD4	AD3	I/O	LV <sub>DDB</sub>	—
TSEC1_RXD3/USBDR_TXDRXD5	AC6	I/O	LV <sub>DDB</sub>	—
TSEC1_RXD2/USBDR_TXDRXD6	AF4	I/O	LV <sub>DDB</sub>	—
TSEC1_RXD1/USBDR_TXDRXD7	AB6	I/O	LV <sub>DDB</sub>	—
TSEC1_RXD0/USBDR_NXT/TSEC_1588_TRIG1	AB5	I	LV <sub>DDB</sub>	—
TSEC1_RX_ER/USBDR_DIR/TSEC_1588_TRIG2	AD4	I	LV <sub>DDB</sub>	—
TSEC1_TX_CLK/USBDR_CLK/TSEC_1588_CLK	AF5	I	LV <sub>DDB</sub>	—
TSEC1_TXD3/TSEC_1588_GCLK	AE6	O	LV <sub>DDB</sub>	—
TSEC1_TXD2/TSEC_1588_PP1	AC7	O	LV <sub>DDB</sub>	—



**Table 62. MPC8313E TEPBGAI Pinout Listing (continued)**

Signal	Package Pin Number	Pin Type	Power Supply	Note
TSEC1_TXD1/TSEC_1588_PP2	AD6	O	LV <sub>DDB</sub>	—
TSEC1_TXD0/USBDR_STP/TSEC_1588_PP3	AD5	O	LV <sub>DDB</sub>	—
TSEC1_TX_EN/TSEC_1588_ALARM1	AB7	O	LV <sub>DDB</sub>	—
TSEC1_TX_ER/TSEC_1588_ALARM2	AB8	O	LV <sub>DDB</sub>	—
TSEC1_GTX_CLK125	AE1	I	LV <sub>DDB</sub>	—
TSEC1_MDC/LB_POR_CFG_BOOT_ECC_DIS	AF6	O	NV <sub>DD</sub>	9, 11
TSEC1_MDIO	AB9	I/O	NV <sub>DD</sub>	—
<b>ETSEC2</b>				
TSEC2_COL/GTM1_TIN4/GTM2_TIN3/GPIO15	AB4	I/O	LV <sub>DDA</sub>	—
TSEC2_CRS/GTM1_TGATE4/GTM2_TGATE3/GPIO16	AB3	I/O	LV <sub>DDA</sub>	—
TSEC2_GTX_CLK/GTM1_TOUT4/GTM2_TOUT3/GPIO17	AC1	I/O	LV <sub>DDA</sub>	12
TSEC2_RX_CLK/GTM1_TIN2/GTM2_TIN1/GPIO18	AC2	I/O	LV <sub>DDA</sub>	—
TSEC2_RX_DV/GTM1_TGATE2/GTM2_TGATE1/GPIO19	AA3	I/O	LV <sub>DDA</sub>	—
TSEC2_RXD3/GPIO20	Y5	I/O	LV <sub>DDA</sub>	—
TSEC2_RXD2/GPIO21	AA4	I/O	LV <sub>DDA</sub>	—
TSEC2_RXD1/GPIO22	AB2	I/O	LV <sub>DDA</sub>	—
TSEC2_RXD0/GPIO23	AA5	I/O	LV <sub>DDA</sub>	—
TSEC2_RX_ER/GTM1_TOUT2/GTM2_TOUT1/GPIO24	AA2	I/O	LV <sub>DDA</sub>	—
TSEC2_TX_CLK/GPIO25	AB1	I/O	LV <sub>DDA</sub>	—
TSEC2_TXD3/CFG_RESET_SOURCE0	W3	I/O	LV <sub>DDA</sub>	—
TSEC2_TXD2/CFG_RESET_SOURCE1	Y1	I/O	LV <sub>DDA</sub>	—
TSEC2_TXD1/CFG_RESET_SOURCE2	W5	I/O	LV <sub>DDA</sub>	—
TSEC2_TXD0/CFG_RESET_SOURCE3	Y3	I/O	LV <sub>DDA</sub>	—
TSEC2_TX_EN/GPIO26	AA1	I/O	LV <sub>DDA</sub>	—
TSEC2_TX_ER/GPIO27	W1	I/O	LV <sub>DDA</sub>	—
<b>SGMII PHY</b>				
TXA	U3	O		—
$\overline{\text{TXA}}$	V3	O		—
RXA	U1	I		—
$\overline{\text{RXA}}$	V1	I		—
TXB	P4	O		—
$\overline{\text{TXB}}$	N4	O		—

Table 62. MPC8313E TEPBGAI Pinout Listing (continued)

Signal	Package Pin Number	Pin Type	Power Supply	Note
RXB	R1	I		—
$\overline{\text{RXB}}$	P1	I		—
SD_IMP_CAL_RX	V5	I		200 $\Omega$ $\pm$ 10% to GND
SD_REF_CLK	T5	I		—
SD_REF_CLK	T4	I		—
SD_PLL_TPD	T2	O		—
SD_IMP_CAL_TX	N5	I		100 $\Omega$ $\pm$ 10% to GND
SDAVDD	R5	I/O		—
SD_PLL_TPA_ANA	R4	O		—
SDAVSS	R3	I/O		—
<b>USB PHY</b>				
USB_DP	P26	I/O		—
USB_DM	N26	I/O		—
USB_VBUS	P24	I/O		—
USB_TPA	L26	I/O		—
USB_RBIAS	M24	I/O		—
USB_PLL_PWR3	M26	I/O		—
USB_PLL_GND	N24	I/O		—
USB_PLL_PWR1	N25	I/O		—
USB_VSSA_BIAS	M25	I/O		—
USB_VDDA_BIAS	M22	I/O		—
USB_VSSA	N22	I/O		—
USB_VDDA	P22	I/O		—
<b>GTM/USB</b>				
USBDR_DRIVE_VBUS/GTM1_TIN1/GTM2_TIN2/LSRCID0	AD23	I/O	NV <sub>DD</sub>	—
USBDR_PWRFAULT/GTM1_TGATE1/GTM2_TGATE2/LSRCID1	AE23	I/O	NV <sub>DD</sub>	—
USBDR_PCTL0/GTM1_TOUT1/LSRCID2	AC22	O	NV <sub>DD</sub>	—
USBDR_PCTL1/LBC_PM_REF_10/LSRCID3	AB21	O	NV <sub>DD</sub>	—

**Table 62. MPC8313E TEPBGAI Pinout Listing (continued)**

Signal	Package Pin Number	Pin Type	Power Supply	Note
<b>SPI</b>				
SPI MOSI/GTM1_TIN3/GTM2_TIN4/GPIO28/LSRCID4	H1	I/O	NV <sub>DD</sub>	—
SPI MISO/GTM1_TGATE3/GTM2_TGATE4/GPIO29/LDVAL	H3	I/O	NV <sub>DD</sub>	—
SPI CLK/GTM1_TOUT3/GPIO30	G1	I/O	NV <sub>DD</sub>	—
SPI SEL/GPIO31	G3	I/O	NV <sub>DD</sub>	—
<b>Power and Ground Supplies</b>				
AV <sub>DD1</sub>	F14	Power for e300 core APLL (1.0 V)	—	—
AV <sub>DD2</sub>	P21	Power for system APLL (1.0 V)	—	—
GV <sub>DD</sub>	A2,A3,A4,A24,A25,B3,B4,B5,B12,B13,B20,B21,B24,B25,B26,D1,D2,D8,D9,D16,D17	Power for DDR1 and DDR2 DRAM I/O voltage (1.8/2.5 V)	—	—
LV <sub>DD</sub>	D24,D25,G23,H23,R23,T23,W25,Y25,AA22,AC23	Power for local bus (3.3 V)	—	—
LV <sub>DDA</sub>	W2,Y2	Power for eTSEC2 (2.5 V, 3.3 V)	—	—
LV <sub>DDB</sub>	AC8,AC9,AE4,AE5	Power for eTSEC1/USB DR (2.5 V, 3.3 V)	—	—
MV <sub>REF</sub>	C14,D14	Reference voltage signal for DDR	—	—
NV <sub>DD</sub>	G4,H4,L2,M2,AC16,AC17,AD25,AD26,AE12,AE13,AE20,AE21,AE24,AE25,AE26,AF24,AF25	Standard I/O voltage (3.3 V)	—	—
V <sub>DD</sub>	K11,K12,K13,K14,K15,K16,L10,L17,M10,M17,N10,N17,U12,U13,	Power for core (1.0 V)	—	—
V <sub>DDC</sub>	F6,F10,F19,K6,K10,K17,K21,P6,P10,P17,R10,R17,T10,T17,U10,U11,U14,U15,U16,U17,W6,W21,AA6,AA10,AA14,AA19	Internal core logic constant power (1.0 V)	—	—

**Table 62. MPC8313E TEPBGAI Pinout Listing (continued)**

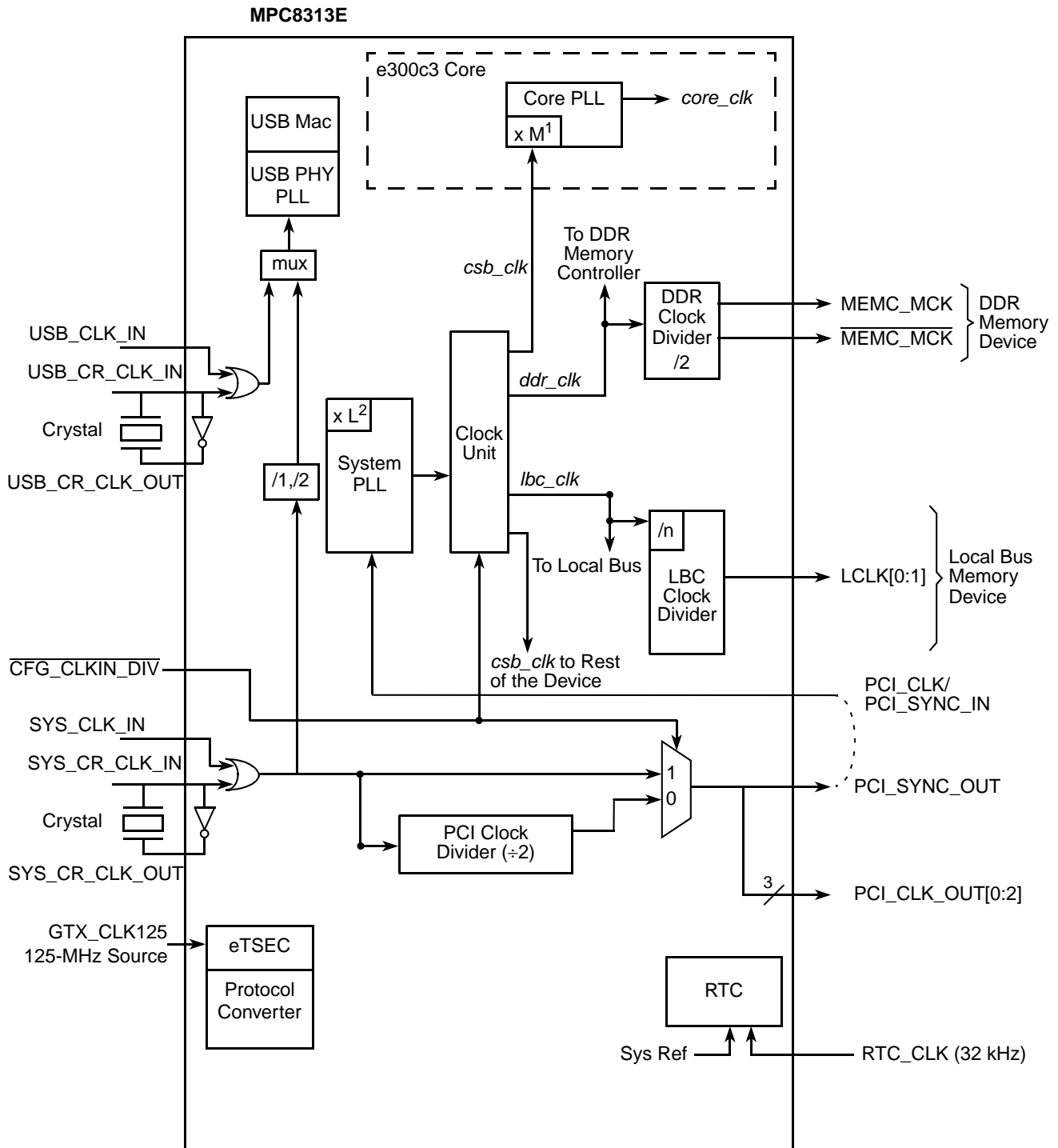
Signal	Package Pin Number	Pin Type	Power Supply	Note
V <sub>SS</sub>	B1,B2,B8,B9,B16,B17,C1,C2,C3,C4,C5,C24,C25,C26,D3,D4,D12,D13,D20,D21,F8,F11,F13,F16,F17,F21,G2,G25,H2,H6,H21,H25,L4,L6,L11,L12,L13,L14,L15,L16,L21,L23,M4,M11,M12,M13,M14,M15,M16,M23,N6,N11,N12,N13,N14,N15,N16,N21,N23,P11,P12,P13,P14,P15,P16,P23,P25,R11,R12,R13,R14,R15,R16,R25,T6,T11,T12,T13,T14,T15,T16,T21,T25,U5,U6,U21,W4,W23,Y4,Y23,AA8,AA11,AA13,AA16,AA17,AA21,AC4,AC5,AC12,AC13,AC20,AC21,AD1,AE2,AE8,AE9,AE16,AE17,AF2	—	—	—
XCOREV <sub>DD</sub>	T1,U2,V2	Core power for SerDes transceivers (1.0 V)	—	—
XCOREV <sub>SS</sub>	P2,R2,T3	—	—	—
XPADV <sub>DD</sub>	P5,U4	Pad power for SerDes transceivers (1.0 V)	—	—
XPADV <sub>SS</sub>	P3,V4	—	—	—

**Notes:**

1. This pin is an open drain signal. A weak pull-up resistor (1 k $\Omega$ ) should be placed on this pin to NV<sub>DD</sub>.
2. This pin is an open drain signal. A weak pull-up resistor (2–10 k $\Omega$ ) should be placed on this pin to NV<sub>DD</sub>.
3. This output is actively driven during reset rather than being three-stated during reset.
4. These JTAG pins have weak internal pull-up P-FETs that are always enabled.
5. This pin should have a weak pull up if the chip is in PCI host mode. Follow PCI specifications recommendation.
6. This pin must always be tied to V<sub>SS</sub>.
7. Internal thermally sensitive resistor, resistor value varies linearly with temperature. Useful for determining the junction temperature.
8. 1588 signals are available on these pins only in MPC8313 Rev 2.x or later.
9. LB\_POR\_CFG\_BOOT\_ECC\_DIS is available only in MPC8313 Rev 2.x or later.
10. This pin has an internal pull-up.
11. This pin has an internal pull-down.
12. In MII mode, GTX\_CLK should be pulled down by 300 $\Omega$  to V<sub>SS</sub>.

## 20 Clocking

This figure shows the internal distribution of clocks within the MPC8313E.



<sup>1</sup> Multiplication factor  $M = 1, 1.5, 2, 2.5,$  and  $3$ . Value is decided by  $RCWLR[COREPLL]$ .

<sup>2</sup> Multiplication factor  $L = 2, 3, 4, 5,$  and  $6$ . Value is decided by  $RCWLR[SPMF]$ .

**Figure 57. MPC8313E Clock Subsystem**

The primary clock source for the MPC8313E can be one of two inputs, SYS\_CLK\_IN or PCI\_CLK, depending on whether the device is configured in PCI host or PCI agent mode. When the device is configured as a PCI host device, SYS\_CLK\_IN is its primary input clock. SYS\_CLK\_IN feeds the PCI clock divider ( $\div 2$ ) and the multiplexors for PCI\_SYNC\_OUT and PCI\_CLK\_OUT. The CFG\_CLKIN\_DIV configuration input selects whether SYS\_CLK\_IN or SYS\_CLK\_IN/2 is driven out on the PCI\_SYNC\_OUT signal. The OCCR[PCICOEn] parameters select whether the PCI\_SYNC\_OUT is driven out on the PCI\_CLK\_OUT<sub>n</sub> signals.

PCI\_SYNC\_OUT is connected externally to PCI\_SYNC\_IN to allow the internal clock subsystem to synchronize to the system PCI clocks. PCI\_SYNC\_OUT must be connected properly to PCI\_SYNC\_IN, with equal delay to all PCI agent devices in the system, to allow the device to function. When the device is configured as a PCI agent device, PCI\_CLK is the primary input clock. When the device is configured as a PCI agent device the SYS\_CLK\_IN signal should be tied to VSS.

As shown in [Figure 57](#), the primary clock input (frequency) is multiplied up by the system phase-locked loop (PLL) and the clock unit to create the coherent system bus clock (*csb\_clk*), the internal clock for the DDR controller (*ddr\_clk*), and the internal clock for the local bus interface unit (*lbc\_clk*).

The *csb\_clk* frequency is derived from a complex set of factors that can be simplified into the following equation:

$$csb\_clk = \{PCI\_SYNC\_IN \times (1 + \overline{\sim CFG\_CLKIN\_DIV})\} \times SPMF$$

In PCI host mode,  $PCI\_SYNC\_IN \times (1 + \overline{\sim CFG\_CLKIN\_DIV})$  is the SYS\_CLK\_IN frequency.

The *csb\_clk* serves as the clock input to the e300 core. A second PLL inside the e300 core multiplies up the *csb\_clk* frequency to create the internal clock for the e300 core (*core\_clk*). The system and core PLL multipliers are selected by the SPMF and COREPLL fields in the reset configuration word low (RCWL) which is loaded at power-on reset or by one of the hard-coded reset options. See Chapter 4, “Reset, Clocking, and Initialization,” in the *MPC8313E PowerQUICC II Pro Integrated Processor Family Reference Manual*, for more information on the clock subsystem.

The internal *ddr\_clk* frequency is determined by the following equation:

$$ddr\_clk = csb\_clk \times (1 + RCWL[DDRCM])$$

Note that *ddr\_clk* is not the external memory bus frequency; *ddr\_clk* passes through the DDR clock divider ( $\div 2$ ) to create the differential DDR memory bus clock outputs (MCK and  $\overline{MCK}$ ). However, the data rate is the same frequency as *ddr\_clk*.

The internal *lbc\_clk* frequency is determined by the following equation:

$$lbc\_clk = csb\_clk \times (1 + RCWL[LBCM])$$

Note that *lbc\_clk* is not the external local bus frequency; *lbc\_clk* passes through the a LBC clock divider to create the external local bus clock outputs (LCLK[0:1]). The LBC clock divider ratio is controlled by LCRR[CLKDIV].

In addition, some of the internal units may be required to be shut off or operate at lower frequency than the *csb\_clk* frequency. Those units have a default clock ratio that can be configured by a memory mapped register after the device comes out of reset. [Table 63](#) specifies which units have a configurable clock frequency.

**Table 63. Configurable Clock Units**

Unit	Default Frequency	Options
TSEC1	<i>csb_clk</i>	Off, <i>csb_clk</i> , <i>csb_clk/2</i> , <i>csb_clk/3</i>
TSEC2	<i>csb_clk</i>	Off, <i>csb_clk</i> , <i>csb_clk/2</i> , <i>csb_clk/3</i>
Security Core, I <sup>2</sup> C, SAP, TPR	<i>csb_clk</i>	Off, <i>csb_clk</i> , <i>csb_clk/2</i> , <i>csb_clk/3</i>
USB DR	<i>csb_clk</i>	Off, <i>csb_clk</i> , <i>csb_clk/2</i> , <i>csb_clk/3</i>
PCI and DMA complex	<i>csb_clk</i>	Off, <i>csb_clk</i>

This table provides the operating frequencies for the MPC8313E TEPBGAI under recommended operating conditions (see [Table 2](#)).

**Table 64. Operating Frequencies for TEPBGAI**

Characteristic <sup>1</sup>	Maximum Operating Frequency	Unit
e300 core frequency ( <i>core_clk</i> )	333	MHz
Coherent system bus frequency ( <i>csb_clk</i> )	167	MHz
DDR1/2 memory bus frequency (MCK) <sup>2</sup>	167	MHz
Local bus frequency (LCLK <sub>n</sub> ) <sup>3</sup>	66	MHz
PCI input frequency (SYS_CLK_IN or PCI_CLK)	66	MHz

**Note:**

1. The SYS\_CLK\_IN frequency, RCWL[SPMF], and RCWL[COREPLL] settings must be chosen such that the resulting *csb\_clk*, MCK, LCLK[0:1], and *core\_clk* frequencies do not exceed their respective maximum or minimum operating frequencies. The value of SCCR[ENCCM] and SCCR[USBDRCM] must be programmed such that the maximum internal operating frequency of the security core and USB modules do not exceed their respective value listed in this table.
2. The DDR data rate is 2x the DDR memory bus frequency.
3. The local bus frequency is 1/2, 1/4, or 1/8 of the *lbc\_clk* frequency (depending on LCRR[CLKDIV]), which is in turn, 1x or 2x the *csb\_clk* frequency (depending on RCWL[LBCM]).

## 20.1 System PLL Configuration

The system PLL is controlled by the RCWL[SPMF] parameter. This table shows the multiplication factor encodings for the system PLL.

**Table 65. System PLL Multiplication Factors**

RCWL[SPMF]	System PLL Multiplication Factor
0000	Reserved
0001	Reserved
0010	× 2
0011	× 3

**Table 65. System PLL Multiplication Factors (continued)**

RCWL[SPMF]	System PLL Multiplication Factor
0100	× 4
0101	× 5
0110	× 6
0111–1111	Reserved

**Note:**

1. If RCWL[DDRCM] and RCWL[LBCM] are both cleared, the system PLL VCO frequency = (CSB frequency) × (System PLL VCO Divider).
2. If either RCWL[DDRCM] or RCWL[LBCM] are set, the system PLL VCO frequency = 2 × (CSB frequency) × (System PLL VCO Divider).
3. The VCO divider needs to be set properly so that the System PLL VCO frequency is in the range of 450–750 MHz

As described in [Section 20, “Clocking,”](#) the LBCM, DDRCM, and SPMF parameters in the reset configuration word low and the CFG\_CLKIN\_DIV configuration input signal select the ratio between the primary clock input (SYS\_CLK\_IN or PCI\_SYNC\_IN) and the internal coherent system bus clock (*csb\_clk*). This table shows the expected frequency values for the CSB frequency for select *csb\_clk* to SYS\_CLK\_IN/PCI\_SYNC\_IN ratios.

**Table 66. CSB Frequency Options**

CFG_CLKIN_DIV at Reset <sup>1</sup>	SPMF	<i>csb_clk</i> :Input Clock Ratio <sup>2</sup>	Input Clock Frequency (MHz) <sup>2</sup>			
			24	25	33.33	66.67
			<i>csb_clk</i> Frequency (MHz)			
High	0010	2:1				133
High	0011	3:1			100	
High	0100	4:1		100	133	
High	0101	5:1	120	125	167	
High	0110	6:1	144	150		
Low	0010	2:1				133
Low	0011	3:1			100	
Low	0100	4:11		100	133	
Low	0101	5:1	120	125	167	
Low	0110	6:1	144	150		

<sup>1</sup> CFG\_CLKIN\_DIV select the ratio between SYS\_CLK\_IN and PCI\_SYNC\_OUT.

<sup>2</sup> SYS\_CLK\_IN is the input clock in host mode; PCI\_CLK is the input clock in agent mode.



## 20.2 Core PLL Configuration

RCWL[COREPLL] selects the ratio between the internal coherent system bus clock (*csb\_clk*) and the e300 core clock (*core\_clk*). This table shows the encodings for RCWL[COREPLL]. COREPLL values that are not listed in this table should be considered as reserved.

### NOTE

Core VCO frequency = core frequency × VCO divider. The VCO divider, which is determined by RCWLR[COREPLL], must be set properly so that the core VCO frequency is in the range of 400–800 MHz.

**Table 67. e300 Core PLL Configuration**

RCWL[COREPLL]			<i>core_clk</i> : <i>csb_clk</i> Ratio <sup>1</sup>	VCO Divider (VCOD) <sup>3</sup>
0–1	2–5	6		
<i>nn</i>	<b>0000</b>	0	PLL bypassed (PLL off, <i>csb_clk</i> clocks core directly)	PLL bypassed (PLL off, <i>csb_clk</i> clocks core directly)
<b>11</b>	<i>nnnn</i>	n	n/a	n/a
<b>00</b>	<b>0001</b>	0	1:1	2
<b>01</b>	<b>0001</b>	0	1:1	4
<b>10</b>	<b>0001</b>	0	1:1	8
<b>00</b>	<b>0001</b>	1	1.5:1	2
<b>01</b>	<b>0001</b>	1	1.5:1	4
<b>10</b>	<b>0001</b>	1	1.5:1	8
<b>00</b>	<b>0010</b>	0	2:1	2
<b>01</b>	<b>0010</b>	0	2:1	4
<b>10</b>	<b>0010</b>	0	2:1	8
<b>00</b>	<b>0010</b>	1	2.5:1	2
<b>01</b>	<b>0010</b>	1	2.5:1	4
<b>10</b>	<b>0010</b>	1	2.5:1	8
<b>00</b>	<b>0011</b>	0	3:1	2
<b>01</b>	<b>0011</b>	0	3:1	4
<b>10</b>	<b>0011</b>	0	3:1	8

**Note:**

1. For *core\_clk:csb\_clk* ratios of 2.5:1 and 3:1, the *core\_clk* must not exceed its maximum operating frequency of 333 MHz.
2. Core VCO frequency = core frequency × VCO divider. Note that VCO divider has to be set properly so that the core VCO frequency is in the range of 400–800 MHz.

## 20.3 Example Clock Frequency Combinations

This table shows several possible frequency combinations that can be selected based on the indicated input reference frequencies, with RCWLR[LBCM] = 0 and RCWLR[DDRCM] = 1, such that the LBC operates with a frequency equal to the frequency of *csb\_clk* and the DDR controller operates at twice the frequency of *csb\_clk*.

**Table 68. System Clock Frequencies**

SYS_CLK_IN/ PCI_CLK	SPMF <sup>1</sup>	VCOD <sup>2</sup>	VCO <sup>3</sup>	CSB ( <i>csb_clk</i> ) <sup>4</sup>	DDR ( <i>ddr_clk</i> )	LBC( <i>lbc_clk</i> )				e300 Core( <i>core_clk</i> )				
						/2	/4	/8	USB ref <sup>5</sup>	× 1	× 1.5	× 2	× 2.5	× 3
25.0	6	2	600.0	150.0	300.0	—	37.5	18.8	Note <sup>6</sup>	150.0	225	300	375	—
25.0	5	2	500.0	125.0	250.0	62.5	31.25	15.6	Note 6	125.0	188	250	313	375
33.3	5	2	666.0	166.5	333.0	—	41.63	20.8	Note 6	166.5	250	333	—	—
33.3	4	2	532.8	133.2	266.4	66.6	33.3	16.7	Note 6	133.2	200	266	333	400
48.0	3	2	576.0	144.0	288.0	—	36	18.0	48.0	144.0	216	288	360	—
66.7	2	2	533.4	133.3	266.7	66.7	33.34	16.7	Note 6	133.3	200	267	333	400

**Note:**

1. System PLL multiplication factor.
2. System PLL VCO divider.
3. When considering operating frequencies, the valid core VCO operating range of 400–800 MHz must not be violated.
4. Due to erratum eTSEC40, *csb\_clk* frequencies of less than 133 MHz do not support gigabit Ethernet data rates. The core frequency must be 333 MHz for gigabit Ethernet operation. This erratum will be fixed in revision 2 silicon.
5. Frequency of USB PLL input reference.
6. USB reference clock must be supplied from a separate source as it must be 24 or 48 MHz, the USB reference must be supplied from a separate external source using USB\_CLK\_IN.

## 21 Thermal

This section describes the thermal specifications of the MPC8313E.

### 21.1 Thermal Characteristics

This table provides the package thermal characteristics for the 516, 27 × 27 mm TEPBGAIL.

**Table 69. Package Thermal Characteristics for TEPBGAIL**

Characteristic	Board Type	Symbol	TEPBGA II	Unit	Note
Junction-to-ambient natural convection	Single layer board (1s)	R <sub>θJA</sub>	25	°C/W	1, 2
Junction-to-ambient natural convection	Four layer board (2s2p)	R <sub>θJA</sub>	18	°C/W	1, 2, 3
Junction-to-ambient (@200 ft/min)	Single layer board (1s)	R <sub>θJMA</sub>	20	°C/W	1, 3
Junction-to-ambient (@200 ft/min)	Four layer board (2s2p)	R <sub>θJMA</sub>	15	°C/W	1, 3
Junction-to-board	—	R <sub>θJB</sub>	10	°C/W	4

**Table 69. Package Thermal Characteristics for TEPBGAll (continued)**

Characteristic	Board Type	Symbol	TEPBGA II	Unit	Note
Junction-to-case	—	$R_{\theta JC}$	8	°C/W	5
Junction-to-package top	Natural convection	$\Psi_{JT}$	7	°C/W	6

**Note:**

1. Junction temperature is a function of die size, on-chip power dissipation, package thermal resistance, mounting site (board) temperature, ambient temperature, airflow, power dissipation of other components on the board, and board thermal resistance.
2. Per JEDEC JESD51-2 with the single layer board horizontal. Board meets JESD51-9 specification.
3. Per JEDEC JESD51-6 with the board horizontal.
4. Thermal resistance between the die and the printed-circuit board per JEDEC JESD51-8. Board temperature is measured on the top surface of the board near the package.
5. Thermal resistance between the die and the case top surface as measured by the cold plate method (MIL SPEC-883 Method 1012.1).
6. Thermal characterization parameter indicating the temperature difference between package top and the junction temperature per JEDEC JESD51-2. When Greek letters are not available, the thermal characterization parameter is written as Psi-JT.

## 21.2 Thermal Management Information

For the following sections,  $P_D = (V_{DD} \times I_{DD}) + P_{I/O}$ , where  $P_{I/O}$  is the power dissipation of the I/O drivers.

### 21.2.1 Estimation of Junction Temperature with Junction-to-Ambient Thermal Resistance

An estimation of the chip junction temperature,  $T_J$ , can be obtained from the equation:

$$T_J = T_A + (R_{\theta JA} \times P_D)$$

where:

$T_J$  = junction temperature (°C)

$T_A$  = ambient temperature for the package (°C)

$R_{\theta JA}$  = junction-to-ambient thermal resistance (°C/W)

$P_D$  = power dissipation in the package (W)

The junction-to-ambient thermal resistance is an industry standard value that provides a quick and easy estimation of thermal performance. As a general statement, the value obtained on a single layer board is appropriate for a tightly packed printed-circuit board. The value obtained on the board with the internal planes is usually appropriate if the board has low power dissipation and the components are well separated. Test cases have demonstrated that errors of a factor of two (in the quantity  $T_J - T_A$ ) are possible.

### 21.2.2 Estimation of Junction Temperature with Junction-to-Board Thermal Resistance

The thermal performance of a device cannot be adequately predicted from the junction-to-ambient thermal resistance. The thermal performance of any component is strongly dependent on the power dissipation of surrounding components. In addition, the ambient temperature varies widely within the application. For many natural convection and especially closed box applications, the board temperature at the perimeter

(edge) of the package is approximately the same as the local air temperature near the device. Specifying the local ambient conditions explicitly as the board temperature provides a more precise description of the local ambient conditions that determine the temperature of the device.

At a known board temperature, the junction temperature is estimated using the following equation:

$$T_J = T_B + (R_{\theta JB} \times P_D)$$

where:

$T_J$  = junction temperature (°C)

$T_B$  = board temperature at the package perimeter (°C)

$R_{\theta JB}$  = junction-to-board thermal resistance (°C/W) per JESD51-8

$P_D$  = power dissipation in the package (W)

When the heat loss from the package case to the air can be ignored, acceptable predictions of junction temperature can be made. The application board should be similar to the thermal test condition: the component is soldered to a board with internal planes.

### 21.2.3 Experimental Determination of Junction Temperature

To determine the junction temperature of the device in the application after prototypes are available, the thermal characterization parameter ( $\Psi_{JT}$ ) can be used to determine the junction temperature with a measurement of the temperature at the top center of the package case using the following equation:

$$T_J = T_T + (\Psi_{JT} \times P_D)$$

where:

$T_J$  = junction temperature (°C)

$T_T$  = thermocouple temperature on top of package (°C)

$\Psi_{JT}$  = thermal characterization parameter (°C/W)

$P_D$  = power dissipation in the package (W)

The thermal characterization parameter is measured per JESD51-2 specification using a 40 gauge type T thermocouple epoxied to the top center of the package case. The thermocouple should be positioned so that the thermocouple junction rests on the package. A small amount of epoxy is placed over the thermocouple junction and over about 1 mm of wire extending from the junction. The thermocouple wire is placed flat against the package case to avoid measurement errors caused by cooling effects of the thermocouple wire.

### 21.2.4 Heat Sinks and Junction-to-Case Thermal Resistance

In some application environments, a heat sink is required to provide the necessary thermal management of the device. When a heat sink is used, the thermal resistance is expressed as the sum of a junction to case thermal resistance and a case to ambient thermal resistance:

$$R_{\theta JA} = R_{\theta JC} + R_{\theta CA}$$

where:

$R_{\theta JA}$  = junction-to-ambient thermal resistance (°C/W)

$R_{\theta JC}$  = junction-to-case thermal resistance (°C/W)

$R_{\theta CA}$  = case-to- ambient thermal resistance (°C/W)

$R_{\theta JC}$  is device related and cannot be influenced by the user. The user controls the thermal environment to change the case-to-ambient thermal resistance,  $R_{\theta CA}$ . For instance, the user can change the size of the heat sink, the airflow around the device, the interface material, the mounting arrangement on the printed-circuit board, or change the thermal dissipation on the printed-circuit board surrounding the device.

To illustrate the thermal performance of the devices with heat sinks, the thermal performance has been simulated with a few commercially available heat sinks. The heat sink choice is determined by the application environment (temperature, airflow, adjacent component power dissipation) and the physical space available. Because there is not a standard application environment, a standard heat sink is not required.

**Table 70. Thermal Resistance for TEPBGAll with Heat Sink in Open Flow**

Heat Sink Assuming Thermal Grease	Airflow	Thermal Resistance (°C/W)
Wakefield 53 × 53 × 2.5 mm pin fin	Natural convection	13.0
	0.5 m/s	10.6
	1 m/s	9.7
	2 m/s	9.2
	4 m/s	8.9
Aavid 35 × 31 × 23 mm pin fin	Natural convection	14.4
	0.5 m/s	11.3
	1 m/s	10.5
	2 m/s	9.9
	4 m/s	9.4
Aavid 30 × 30 × 9.4 mm pin fin	Natural convection	16.5
	0.5 m/s	13.5
	1 m/s	12.1
	2 m/s	10.9
	4 m/s	10.0
Aavid 43 × 41 × 16.5 mm pin fin	Natural convection	14.5
	0.5 m/s	11.7
	1 m/s	10.5
	2 m/s	9.7
	4 m/s	9.2

Accurate thermal design requires thermal modeling of the application environment using computational fluid dynamics software which can model both the conduction cooling and the convection cooling of the air moving through the application. Simplified thermal models of the packages can be assembled using the junction-to-case and junction-to-board thermal resistances listed in [Table 70](#). More detailed thermal models can be made available on request.

Heat sink Vendors include the following list:

Aavid Thermalloy 80 Commercial St. Concord, NH 03301 Internet: <a href="http://www.aavidthermalloy.com">www.aavidthermalloy.com</a>	603-224-9988
Alpha Novatech 473 Sapena Ct. #12 Santa Clara, CA 95054 Internet: <a href="http://www.alphanovatech.com">www.alphanovatech.com</a>	408-749-7601
International Electronic Research Corporation (IERC) 413 North Moss St. Burbank, CA 91502 Internet: <a href="http://www.ctscorp.com">www.ctscorp.com</a>	818-842-7277
Millennium Electronics (MEI) Loroco Sites 671 East Brokaw Road San Jose, CA 95112 Internet: <a href="http://www.mei-thermal.com">www.mei-thermal.com</a>	408-436-8770
Tyco Electronics Chip Coolers™ P.O. Box 3668 Harrisburg, PA 17105 Internet: <a href="http://www.chipcoolers.com">www.chipcoolers.com</a>	800-522-6752
Wakefield Engineering 33 Bridge St. Pelham, NH 03076 Internet: <a href="http://www.wakefield.com">www.wakefield.com</a>	603-635-2800

Interface material vendors include the following:

Chomerics, Inc. 77 Dragon Ct. Woburn, MA 01801 Internet: <a href="http://www.chomerics.com">www.chomerics.com</a>	781-935-4850
Dow-Corning Corporation Corporate Center PO BOX 994 Midland, MI 48686-0994 Internet: <a href="http://www.dowcorning.com">www.dowcorning.com</a>	800-248-2481
Shin-Etsu MicroSi, Inc. 10028 S. 51st St. Phoenix, AZ 85044 Internet: <a href="http://www.microsi.com">www.microsi.com</a>	888-642-7674
The Bergquist Company 18930 West 78th St. Chanhassen, MN 55317 Internet: <a href="http://www.bergquistcompany.com">www.bergquistcompany.com</a>	800-347-4572

## 21.3 Heat Sink Attachment

When attaching heat sinks to these devices, an interface material is required. The best method is to use thermal grease and a spring clip. The spring clip should connect to the printed-circuit board, either to the board itself, to hooks soldered to the board, or to a plastic stiffener. Avoid attachment forces which would lift the edge of the package or peel the package from the board. Such peeling forces reduce the solder joint lifetime of the package. Recommended maximum force on the top of the package is 10 lb (4.5 kg) force. If an adhesive attachment is planned, the adhesive should be intended for attachment to painted or plastic surfaces and its performance verified under the application requirements.

### 21.3.1 Experimental Determination of the Junction Temperature with a Heat Sink

When heat sink is used, the junction temperature is determined from a thermocouple inserted at the interface between the case of the package and the interface material. A clearance slot or hole is normally required in the heat sink. Minimizing the size of the clearance is important to minimize the change in thermal performance caused by removing part of the thermal interface to the heat sink. Because of the experimental difficulties with this technique, many engineers measure the heat sink temperature and then back calculate the case temperature using a separate measurement of the thermal resistance of the interface. From this case temperature, the junction temperature is determined from the junction to case thermal resistance.

$$T_J = T_C + (R_{\theta JC} \times P_D)$$

where:

- $T_J$  = junction temperature (°C)
- $T_C$  = case temperature of the package
- $R_{\theta JC}$  = junction-to-case thermal resistance
- $P_D$  = power dissipation

## 22 System Design Information

This section provides electrical and thermal design recommendations for successful application of the MPC8313E SYS\_CLK\_IN

### 22.1 System Clocking

The MPC8313E includes three PLLs.

1. The platform PLL ( $AV_{DD2}$ ) generates the platform clock from the externally supplied SYS\_CLK\_IN input in PCI host mode or SYS\_CLK\_IN/PCI\_SYNC\_IN in PCI agent mode. The frequency ratio between the platform and SYS\_CLK\_IN is selected using the platform PLL ratio configuration bits as described in [Section 20.1, “System PLL Configuration.”](#)
2. The e300 core PLL ( $AV_{DD1}$ ) generates the core clock as a slave to the platform clock. The frequency ratio between the e300 core clock and the platform clock is selected using the e300 PLL ratio configuration bits as described in [Section 20.2, “Core PLL Configuration.”](#)
3. There is a PLL for the SerDes block.

## 22.2 PLL Power Supply Filtering

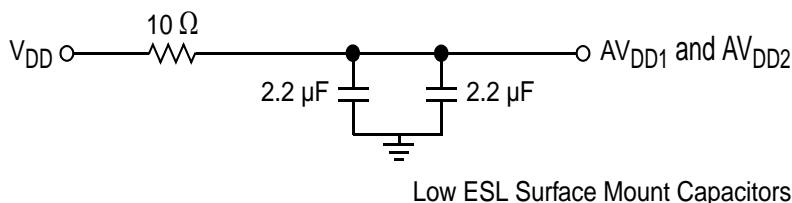
Each of the PLLs listed above is provided with power through independent power supply pins ( $AV_{DD1}$ ,  $AV_{DD2}$ , and  $SDAV_{DD}$ , respectively). The  $AV_{DD}$  level should always be equivalent to  $V_{DD}$ , and preferably these voltages are derived directly from  $V_{DD}$  through a low frequency filter scheme such as the following.

There are a number of ways to reliably provide power to the PLLs, but the recommended solution is to provide independent filter circuits as illustrated in [Figure 58](#), one to each of the five  $AV_{DD}$  pins. By providing independent filters to each PLL the opportunity to cause noise injection from one PLL to the other is reduced.

This circuit is intended to filter noise in the PLLs resonant frequency range from a 500 kHz to 10 MHz range. It should be built with surface mount capacitors with minimum effective series inductance (ESL). Consistent with the recommendations of Dr. Howard Johnson in *High Speed Digital Design: A Handbook of Black Magic* (Prentice Hall, 1993), multiple small capacitors of equal value are recommended over a single large value capacitor.

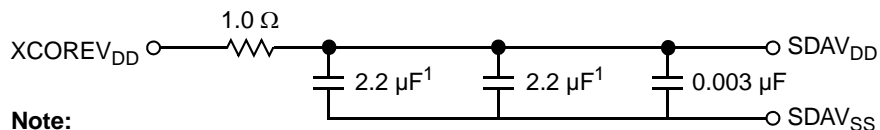
Each circuit should be placed as close as possible to the specific  $AV_{DD}$  pin being supplied to minimize noise coupled from nearby circuits. It should be possible to route directly from the capacitors to the  $AV_{DD}$  pin, which is on the periphery of package, without the inductance of vias.

This figure shows the PLL power supply filter circuits.



**Figure 58. PLL Power Supply Filter Circuit**

The  $SDAV_{DD}$  signal provides power for the analog portions of the SerDes PLL. To ensure stability of the internal clock, the power supplied to the PLL is filtered using a circuit like the one shown in [Figure 59](#). For maximum effectiveness, the filter circuit should be placed as closely as possible to the  $SDAV_{DD}$  ball to ensure it filters out as much noise as possible. The ground connection should be near the  $SDAV_{DD}$  ball. The 0.003- $\mu$ F capacitor is closest to the ball, followed by the two 2.2- $\mu$ F capacitors, and finally the 1- $\Omega$  resistor to the board supply plane. The capacitors are connected from traces from  $SDAV_{DD}$  to the ground plane. Use ceramic chip capacitors with the highest possible self-resonant frequency. All traces should be kept short, wide, and direct.



**Note:**

1. An 0805 sized capacitor is recommended for system initial bring-up.

**Figure 59. SerDes PLL Power Supply Filter Circuit**

Note the following:

- $SDAV_{DD}$  should be a filtered version of  $XCOREV_{DD}$ .





- Output signals on the SerDes interface are fed from the  $XPADV_{DD}$  power plane. Input signals and sensitive transceiver analog circuits are on the  $XCOREV_{DD}$  supply.
- Power:  $XPADV_{DD}$  consumes less than 300 mW;  $XCOREV_{DD} + SDAV_{DD}$  consumes less than 750 mW.

## 22.3 Decoupling Recommendations

Due to large address and data buses, and high operating frequencies, the device can generate transient power surges and high frequency noise in its power supply, especially while driving large capacitive loads. This noise must be prevented from reaching other components in the MPC8313E system, and the MPC8313E itself requires a clean, tightly regulated source of power. Therefore, it is recommended that the system designer place at least one decoupling capacitor at each  $V_{DD}$ ,  $NV_{DD}$ ,  $GV_{DD}$ ,  $LV_{DD}$ ,  $LV_{DDA}$ , and  $LV_{DDB}$  pin of the device. These decoupling capacitors should receive their power from separate  $V_{DD}$ ,  $NV_{DD}$ ,  $GV_{DD}$ ,  $LV_{DD}$ ,  $LV_{DDA}$ ,  $LV_{DDB}$ , and  $VSS$  power planes in the PCB, utilizing short traces to minimize inductance. Capacitors may be placed directly under the device using a standard escape pattern. Others may surround the part.

These capacitors should have a value of 0.01 or 0.1  $\mu\text{F}$ . Only ceramic SMT (surface mount technology) capacitors should be used to minimize lead inductance, preferably 0402 or 0603 sizes.

In addition, it is recommended that there be several bulk storage capacitors distributed around the PCB, feeding the  $V_{DD}$ ,  $NV_{DD}$ ,  $GV_{DD}$ ,  $LV_{DD}$ ,  $LV_{DDA}$ , and  $LV_{DDB}$  planes, to enable quick recharging of the smaller chip capacitors. These bulk capacitors should have a low ESR (equivalent series resistance) rating to ensure the quick response time necessary. They should also be connected to the power and ground planes through two vias to minimize inductance. Suggested bulk capacitors—100 to 330  $\mu\text{F}$  (AVX TPS tantalum or Sanyo OSCON). However, customers should work directly with their power regulator vendor for best values and types of bulk capacitors.

## 22.4 SerDes Block Power Supply Decoupling Recommendations

The SerDes block requires a clean, tightly regulated source of power ( $XCOREV_{DD}$  and  $XPADV_{DD}$ ) to ensure low jitter on transmit and reliable recovery of data in the receiver. An appropriate decoupling scheme is outlined below.

Only SMT capacitors should be used to minimize inductance. Connections from all capacitors to power and ground should be done with multiple vias to further reduce inductance.

- First, the board should have at least  $10 \times 10\text{-nF}$  SMT ceramic chip capacitors as close as possible to the supply balls of the device. Where the board has blind vias, these capacitors should be placed directly below the chip supply and ground connections. Where the board does not have blind vias, these capacitors should be placed in a ring around the device as close to the supply and ground connections as possible.
- Second, there should be a 1- $\mu\text{F}$  ceramic chip capacitor from each SerDes supply ( $XCOREV_{DD}$  and  $XPADV_{DD}$ ) to the board ground plane on each side of the device. This should be done for all SerDes supplies.

- Third, between the device and any SerDes voltage regulator there should be a 10- $\mu$ F, low equivalent series resistance (ESR) SMT tantalum chip capacitor and a 100- $\mu$ F, low ESR SMT tantalum chip capacitor. This should be done for all SerDes supplies.

## 22.5 Connection Recommendations

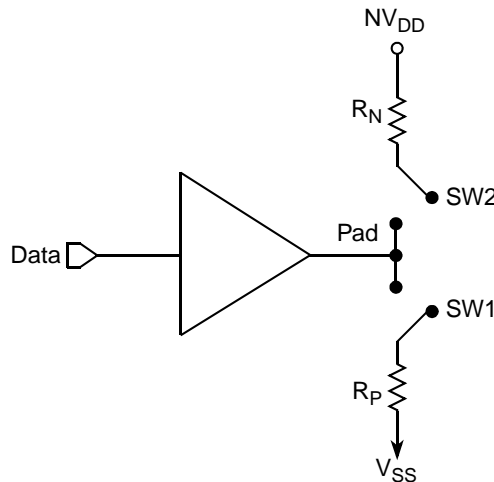
To ensure reliable operation, it is highly recommended to connect unused inputs to an appropriate signal level. Unused active low inputs should be tied to  $NV_{DD}$ ,  $GV_{DD}$ ,  $LV_{DD}$ ,  $LV_{DDA}$ , or  $LV_{DDB}$  as required. Unused active high inputs should be connected to  $V_{SS}$ . All NC (no-connect) signals must remain unconnected.

Power and ground connections must be made to all external  $V_{DD}$ ,  $NV_{DD}$ ,  $GV_{DD}$ ,  $LV_{DD}$ ,  $LV_{DDA}$ ,  $LV_{DDB}$ , and  $V_{SS}$  pins of the device.

## 22.6 Output Buffer DC Impedance

The MPC8313E drivers are characterized over process, voltage, and temperature. For all buses, the driver is a push-pull single-ended driver type (open drain for I<sup>2</sup>C).

To measure  $Z_0$  for the single-ended drivers, an external resistor is connected from the chip pad to  $NV_{DD}$  or  $V_{SS}$ . Then, the value of each resistor is varied until the pad voltage is  $NV_{DD}/2$  (see Figure 60). The output impedance is the average of two components, the resistances of the pull-up and pull-down devices. When data is held high, SW1 is closed (SW2 is open), and  $R_P$  is trimmed until the voltage at the pad equals  $NV_{DD}/2$ .  $R_P$  then becomes the resistance of the pull-up devices.  $R_P$  and  $R_N$  are designed to be close to each other in value. Then,  $Z_0 = (R_P + R_N)/2$ .



**Figure 60. Driver Impedance Measurement**

The value of this resistance and the strength of the driver's current source can be found by making two measurements. First, the output voltage is measured while driving logic 1 without an external differential termination resistor. The measured voltage is  $V_1 = R_{source} \times I_{source}$ . Second, the output voltage is measured while driving logic 1 with an external precision differential termination resistor of value  $R_{term}$ . The measured voltage is  $V_2 = (1/(1/R_1 + 1/R_2)) \times I_{source}$ . Solving for the output impedance gives  $R_{source} = R_{term} \times (V_1/V_2 - 1)$ . The drive current is then  $I_{source} = V_1/R_{source}$ .

This table summarizes the signal impedance targets. The driver impedance are targeted at minimum  $V_{DD}$ , nominal  $NV_{DD}$ , 105°C.

**Table 71. Impedance Characteristics**

Impedance	Local Bus, Ethernet, DUART, Control, Configuration, Power Management	PCI Signals (Not Including PCI Output Clocks)	PCI Output Clocks (Including PCI_SYNC_OUT)	DDR DRAM	Symbol	Unit
$R_N$	42 Target	25 Target	42 Target	20 Target	$Z_0$	$\Omega$
$R_P$	42 Target	25 Target	42 Target	20 Target	$Z_0$	$\Omega$
Differential	NA	NA	NA	NA	$Z_{DIFF}$	$\Omega$

**Note:** Nominal supply voltages. See Table 1,  $T_J = 105^\circ\text{C}$ .

## 22.7 Configuration Pin Muxing

The MPC8313E provides the user with power-on configuration options which can be set through the use of external pull-up or pull-down resistors of 4.7 k $\Omega$  on certain output pins (see customer visible configuration pins). These pins are generally used as output only pins in normal operation.

While  $\overline{\text{HRESET}}$  is asserted however, these pins are treated as inputs. The value presented on these pins while  $\overline{\text{HRESET}}$  is asserted, is latched when  $\overline{\text{PORESET}}$  deasserts, at which time the input receiver is disabled and the I/O circuit takes on its normal function. Careful board layout with stubless connections to these pull-up/pull-down resistors coupled with the large value of the pull-up/pull-down resistor should minimize the disruption of signal quality or speed for output pins thus configured.

## 22.8 Pull-Up Resistor Requirements

The MPC8313E requires high resistance pull-up resistors (10 k $\Omega$  is recommended) on open drain type pins including I<sup>2</sup>C, and IPIC (integrated programmable interrupt controller).

Correct operation of the JTAG interface requires configuration of a group of system control pins as demonstrated in Figure 61. Care must be taken to ensure that these pins are maintained at a valid deasserted state under normal operating conditions because most have asynchronous behavior and spurious assertion, which give unpredictable results.

Refer to the *PCI 2.2 Specification*, for all pull-ups required for PCI.

## 22.9 JTAG Configuration Signals

Boundary scan testing is enabled through the JTAG interface signals. The  $\overline{\text{TRST}}$  signal is optional in IEEE 1149.1, but is provided on any Freescale devices that are built on Power Architecture technology. The device requires  $\overline{\text{TRST}}$  to be asserted during reset conditions to ensure the JTAG boundary logic does not interfere with normal chip operation. While it is possible to force the TAP controller to the reset state using only the TCK and TMS signals, systems generally assert  $\overline{\text{TRST}}$  during power-on reset. Because the JTAG interface is also used for accessing the common on-chip processor (COP) function, simply tying  $\overline{\text{TRST}}$  to  $\overline{\text{PORESET}}$  is not practical.

The COP function of these processors allows a remote computer system (typically, a PC with dedicated hardware and debugging software) to access and control the internal operations of the processor. The COP interface connects primarily through the JTAG port of the processor, with some additional status monitoring signals. The COP port requires the ability to independently assert  $\overline{\text{TRST}}$  without causing  $\overline{\text{PORESET}}$ . If the target system has independent reset sources, such as voltage monitors, watchdog timers, power supply failures, or push-button switches, then the COP reset signals must be merged into these signals with logic.

The arrangement shown in [Figure 61](#) allows the COP to independently assert  $\overline{\text{HRESET}}$  or  $\overline{\text{TRST}}$ , while ensuring that the target can drive  $\overline{\text{HRESET}}$  as well. If the JTAG interface and COP header are not used,  $\overline{\text{TRST}}$  should be tied to  $\overline{\text{PORESET}}$  so that it is asserted when the system reset signal ( $\overline{\text{PORESET}}$ ) is asserted.

The COP header shown in [Figure 61](#) adds many benefits—breakpoints, watchpoints, register and memory examination/modification, and other standard debugger features are possible through this interface—and can be as inexpensive as an unpopulated footprint for a header to be added when needed.

The COP interface has a standard header for connection to the target system, based on the 0.025" square-post, 0.100" centered header assembly (often called a Berg header).

There is no standardized way to number the COP header shown in [Figure 61](#); consequently, many different pin numbers have been observed from emulator vendors. Some are numbered top-to-bottom then left-to-right, while others use left-to-right then top-to-bottom, while still others number the pins counter clockwise from pin 1 (as with an IC). Regardless of the numbering, the signal placement recommended in [Figure 61](#) is common to all known emulators.



**Notes:**

1. Some systems require power to be fed from the application board into the debugger repeater card via the COP header. In this case the resistor value for VDD\_SENSE should be around 20 Ω.
2. Key location; pin 14 is not physically present on the COP header.

**Figure 61. JTAG Interface Connection**

## 23 Ordering Information

Ordering information for the parts fully covered by this specification document is provided in [Section 23.1, “Part Numbers Fully Addressed by this Document.”](#)

## 23.1 Part Numbers Fully Addressed by this Document

This table provides the Freescale part numbering nomenclature for the MPC8313E. Note that the individual part numbers correspond to a maximum processor core frequency. For available frequencies, contact your local Freescale sales office. In addition to the processor frequency, the part numbering scheme also includes an application modifier which may specify special application conditions. Each part number also contains a revision code which refers to the die mask revision number.

**Table 72. Part Numbering Nomenclature**

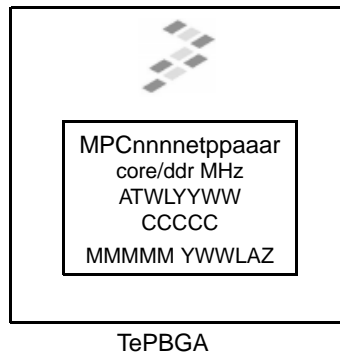
MPC	nnnn	e	t	pp	aa	a	x
Product Code	Part Identifier	Encryption Acceleration	Temperature Range <sup>3</sup>	Package <sup>1, 4</sup>	e300 core Frequency <sup>2</sup>	DDR Frequency	Revision Level
MPC	8313	Blank = Not included E = included	Blank = 0° to 105°C C = -40° to 105°C	ZQ = PB TEPBGAII VR = PB free TEPBGAII	AD = 266 MHz AF = 333 MHz AG = 400 MHz	D = 266 MHz F = 333 MHz	Blank = 1.0 A = 2.0 B = 2.1 C = 2.2

**Note:**

1. See [Section 19, "Package and Pin Listings,"](#) for more information on available package types.
2. Processor core frequencies supported by parts addressed by this specification only. Not all parts described in this specification support all core frequencies. Additionally, parts addressed by Part Number Specifications may support other maximum core frequencies.
3. Contact local Freescale office on availability of parts with °C temperature range.
4. ZQ package was available for Rev 1.0. For Rev 2.x, only VR package is available.

## 23.2 Part Marking

Parts are marked as shown in this figure.



**Notes:**

- MPCnnnnnetppaar is the orderable part number.
- ATWLYYWW is the standard assembly, test, year, and work week codes.
- CCCCC is the country code.
- MMMMM is the mask number.

**Figure 62. Part Marking for TEPBGAII Device**

## 24 Revision History

This table summarizes a revision history for this document.

**Table 73. Document Revision History**

Rev. Number	Date	Substantive Change(s)
4	11/2011	<ul style="list-style-type: none"> <li>• In <a href="#">Table 2</a>, added following notes:               <ul style="list-style-type: none"> <li>– Note 3: Min temperature is specified with <math>T_A</math>; Max temperature is specified with <math>T_J</math></li> <li>– Note 4: All Power rails must be connected and power applied to the MPC8313 even if the IP interfaces are not used.</li> <li>– Note 5: All I/O pins should be interfaced with peripherals operating at same voltage level.</li> <li>– Note 6: This voltage is the input to the filter discussed in <a href="#">Section 22.2, “PLL Power Supply Filtering.”</a> and not necessarily the voltage at the AVDD pin, which may be reduced from VDD by the filter</li> </ul> </li> <li>• Decoupled PCI_CLK and SYS_CLK_IN rise and fall times in <a href="#">Table 8</a>. Relaxed maximum rise/fall time of SYS_CLK_IN to 4ns.</li> <li>• Added a note in <a href="#">Table 27</a> stating “The frequency of RX_CLK should not exceed the TX_CLK by more than 300 ppm.”</li> <li>• In <a href="#">Table 30</a>:               <ul style="list-style-type: none"> <li>– Changed max value of <math>t_{skrgt}</math> in “Data to clock input skew (at receiver)” row from 2.8 to 2.6.</li> <li>– Added Note 7, stating that, “The frequency of RX_CLK should not exceed the GTX_CLK125 by more than 300 ppm.”</li> </ul> </li> <li>• Added a note stating “eTSEC should be interfaced with peripheral operating at same voltage level” in <a href="#">Section 8.1.1, “TSEC DC Electrical Characteristics.”</a></li> <li>• TSEC1_MDC and TSEC_MDIO are powered at 3.3V by NVDD. Replaced LVDDA/LVDDDB with NVDD and removed instances of 2.5V at several places in <a href="#">Section 8.5, “Ethernet Management Interface Electrical Characteristics.”</a></li> <li>• In <a href="#">Table 43</a>, changed min/max values of <math>t_{CLK\_TOL}</math> from 0.05 to 0.005.</li> <li>• In <a href="#">Table 62</a>:               <ul style="list-style-type: none"> <li>– Added Note 2 for LGPL4 in showing LGPL4 as open-drain.</li> <li>– Removed Note 2 from TSEC1_MDIO.</li> <li>– Added Note 10: This pin has an internal pull-up.</li> <li>– Added Note 11: This pin has an internal pull-down.</li> <li>– Added Note 12: “In MII mode, GTX_CLK should be pulled down by 300 <math>\Omega</math> to <math>V_{SS}</math>” to TSEC1_GTX_CLK and TSEC2_GTX_CLK.</li> </ul> </li> <li>• In <a href="#">Section 19.1, “Package Parameters for the MPC8313E TEPBGAII,”</a> replaced “5.5 Sn/0.5 Cu/4 Ag” with “Sn/3.5 Ag.”</li> <li>• Added foot note 3 in <a href="#">Table 65</a> stating “The VCO divider needs to be set properly so that the System PLL VCO frequency is in the range of 450–750 MHz.”</li> <li>• In <a href="#">Table 72</a>:               <ul style="list-style-type: none"> <li>– Added AD = 266 and D = 266.</li> <li>– Added “C = 2.2” in “Revision level” column.</li> <li>– Added Note 4.</li> </ul> </li> <li>• Changed resistor from 1.0 <math>\Omega</math> to 10 <math>\Omega</math> in <a href="#">Figure 58</a>.</li> <li>• Replaced LCCR with LCRR throughout.</li> <li>• Added high-speed to USB Phy description.</li> </ul>
3	01/2009	<ul style="list-style-type: none"> <li>• <a href="#">Table 72</a>, in column aa, changed to AG = 400 MHz.</li> </ul>
2.2	12/2008	<ul style="list-style-type: none"> <li>• Made cross-references active for sections, figures, and tables.</li> </ul>
2.1	12/2008	<ul style="list-style-type: none"> <li>• Added Figure 2, after Table 2 and renumbered the following figures.</li> </ul>

**Table 73. Document Revision History (continued)**

Rev. Number	Date	Substantive Change(s)
2	10/2008	<ul style="list-style-type: none"> <li>• Added Note “The information in this document is accurate for revision 1.0, and 2.x and later. See Section 24.1, “Part Numbers Fully Addressed by this Document,” before Section 1, “Overview.”</li> <li>• Added part numbering details for all the silicon revisions in Table 74.</li> <li>• Changed <math>V_{IH}</math> from 2.7 V to 2.4 V in Table 7.</li> <li>• Added a row for <math>V_{IH}</math> level for Rev 2.x or later in Table 45.</li> <li>• Added a column for maximum power dissipation in low power mode for Rev 2.x or later silicon in Table 6.</li> <li>• Added a column for Power Nos for Rev 2.x or later silicon and added a row for 400 MHz in Table 4.</li> <li>• Removed footnote, “These are preliminary estimates.” from Table 4.</li> <li>• Added Table 21 for DDR AC Specs on Rev 2.x or later silicon.</li> <li>• Added Section 9, “High-Speed Serial Interfaces (HSSI).”</li> <li>• Added <math>\overline{LFW}</math>, <math>\overline{LFCLE}</math>, <math>\overline{LFALE}</math>, <math>\overline{LOE}</math>, <math>\overline{LFRE}</math>, <math>\overline{LFWP}</math>, <math>\overline{LGTA}</math>, <math>\overline{LUPWAIT}</math>, and <math>\overline{LFRB}</math> in Table 63.</li> <li>• In Table 39, added note 2: “This parameter is dependent on the <code>csb_clk</code> speed. (The <code>MIIMCFG[Mgmt Clock Select]</code> field determines the clock frequency of the Mgmt Clock <code>EC_MDC</code>.)”</li> <li>• Removed mentions of SGMII (SGMII has separate specs) from Section 8.1, “Enhanced Three-Speed Ethernet Controller (eTSEC) (10/100/1000 Mbps)—MII/RMII/RGMII/SGMII/RTBI Electrical Characteristics.”</li> <li>• Corrected Section 8.1, “Enhanced Three-Speed Ethernet Controller (eTSEC) (10/100/1000 Mbps)—MII/RMII/RGMII/SGMII/RTBI Electrical Characteristics,” to state that RGMII/RTBI interfaces only operate at 2.5 V, not 3.3 V.</li> <li>• Added ZQ package to ordering information In Table 74 and Section 19.1, “Package Parameters for the MPC8313E TEPBGAI1” (applicable to both silicon rev. 1.0 and 2.1)</li> <li>• Removed footnotes 5 and 6 from Table 1 (left over when the PCI undershoot/overshoot voltages and maximum AC waveforms were removed from Section 2.1.2, “Power Supply Voltage Specification”).</li> <li>• Removed <code>SD_PLL_TPD</code> (T2) and <code>SD_PLL_TPA_ANA</code> (R4) from Table 63.</li> <li>• Added Section 8.3, “SGMII Interface Electrical Characteristics.” Removed Section 8.5.3 SGMII DC Electrical Characteristics.</li> <li>• Removed “HRESET negation to SRESET negation (output)” spec and changed “HRESET/SRESET assertion (output)” spec to “HRESET assertion (output)” in Table 10.</li> <li>• Clarified POR configuration signal specs to “Time for the device to turn off POR configuration signal drivers with respect to the assertion of HRESET” and “Time for the device to turn on POR configuration signal drivers with respect to the negation of HRESET” in Table 10.</li> <li>• Added Section 24.2, “Part Marking,” and Figure 62.</li> </ul>



**Table 73. Document Revision History (continued)**

Rev. Number	Date	Substantive Change(s)
1	3/2008	<ul style="list-style-type: none"> <li>• Replaced OVDD with NV<sub>DD</sub> everywhere</li> <li>• Added XCOREVDD and XPADVDD to Table 1</li> <li>• Moved VDD and VDDC to the top of the table before SerDes supplies in Table 2</li> <li>• In Table 2 split DDR row into two from total current requirement of 425 mA. One for DDR1 (131 mA) and other for DDR2 (140 mA).</li> <li>• In Table 2 corrected current requirement numbers for NV<sub>DD</sub> from 27 mA to 74 mA, LV<sub>DD</sub> from 60 mA to 16 mA, LV<sub>DDA</sub> from 85 mA to 22 mA and LV<sub>ddb</sub> from 85 mA to 44 mA.</li> <li>• In Table 2 corrected Vdd and Vddc current requirements from 560 mA and 454 mA to 469 and 377 mA, respectively. Corrected Avdd1 and Avdd2 current requirements from 10 mA to 2–3 mA, and XCOREVDD from 100 mA to 170 mA.</li> <li>• In Table 2, added row stating junction temperature range of 0 to 105°C. Added footnote 2 stating GPIO pins may operate from 2.5-V supply as well when configured for different functionality.</li> <li>• In Section 2.1.2, “Power Supply Voltage Specification,” added a note describing the purpose of Table 2.</li> <li>• In Section 3, “Power Characteristics,” added a note describing the purpose of Table 5.</li> <li>• Rewrote Section 2.2, “Power Sequencing,” and added Figure 3.</li> <li>• In Table 4, added “but do include core, USB PLL, and a portion of SerDes digital power...” to Note 1.</li> <li>• In Table 4 corrected “Typical power” to “Maximum power” in note 2 and added a note for Typical Power.</li> <li>• In Table 4 removed 266-MHz row as 266-MHz core parts are not offered.</li> <li>• In Table 5, moved Local bus typical power dissipation under LVdd.</li> <li>• Added Table 6 to show the low power mode power dissipation for D3warm mode.</li> <li>• In Table 8 corrected SYS_CLK_IN frequency range from 25–66 MHz to 24–66.67 MHz.</li> <li>• Added Section 8.4, “eTSEC IEEE 1588 AC Specifications”</li> <li>• In Table 42 changed minimum value of USB input hold t<sub>USIXKH</sub> from 0 to 1ns</li> <li>• Added Table 43 and Table 44 showing USB clock in specifications</li> <li>• In Table 46, added rows for t<sub>LALEHOV</sub>, t<sub>LALETOT1</sub>, t<sub>LALETOT2</sub>, and t<sub>LALETOT3</sub> parameters. Added Figure 40.</li> <li>• In Table 50, removed row for rise time (t<sub>12CR</sub>). Removed minimum value of t<sub>12CF</sub>. Added note 5 stating that the device does not follow the I2C-BUS Specifications version 2.1 regarding the t<sub>12CF</sub> AC parameter.</li> <li>• In Table 56, added a note stating: “This specification only applies to GPIO pins that are operating from a 3.3-V supply. See Table 63 for the power supply listed for the individual GPIO signal.” [</li> <li>• Added Table 57 to show DC characteristics for GPIO pins supplied by a 2.5-V supply. Same as eTSEC DC characteristics when operating at 2.5 V.</li> <li>• In Section 20, “Clocking,” corrected the sentence “When the device is configured as a PCI agent device, PCI_SYNC_IN is the primary input clock.” to state “When the device is configured as a PCI agent device, PCI_CLK is the primary input clock.”</li> <li>• Added “Value is decided by RCWLR[COREPLL]” to note 1 of Figure 57</li> <li>• Added paragraph and Figure 59 to Section 22.2, “PLL Power Supply Filtering.”</li> <li>• Added Section 22.4, “SerDes Block Power Supply Decoupling Recommendations</li> <li>• Removed the two figures on PCI undershoot/overshoot voltages and maximum AC waveforms from Section 2.1.2, “Power Supply Voltage Specification,”</li> </ul>

**Table 73. Document Revision History (continued)**

Rev. Number	Date	Substantive Change(s)
1	3/2008	<ul style="list-style-type: none"> <li>• In Table 63, added LBC_PM_REF_10 &amp; LSRCID3 as muxed with USBDR_PCTL1</li> <li>• In Table 63, added LSRCID2 as muxed with USBDR_PCTL0</li> <li>• In Table 63, added LSRCID1 as muxed with USBDR_PWRFAULT</li> <li>• In Table 63, added LSRCID0 as muxed with USBDR_DRIVE_VBUS</li> <li>• In Table 63, moved T1, U2, &amp; V2 from V<sub>DD</sub> to XCOREVDD.</li> <li>• In Table 63, moved P2, R2, &amp; T3 from V<sub>SS</sub> to XCOREVSS.</li> <li>• In Table 63, moved P5, &amp; U4 from V<sub>DD</sub> to XPADVDD.</li> <li>• In Table 63, moved P3, &amp; V4 from V<sub>SS</sub> to XPADVSS.</li> <li>• In Table 63, removed “Double with pad” for AV<sub>DD1</sub> and AV<sub>DD2</sub> and moved AV<sub>DD1</sub> and AV<sub>DD2</sub> to Power and Ground Supplies section</li> <li>• In Table 63, added impedance control requirements for SD_IMP_CAL_TX (100 ohms to GND) and SD_IMP_CAL_RX (200 ohms to GND).</li> <li>• In Table 63, updated muxing in pinout to show new options for selecting IEEE 1588 functionality. Added footnote 8</li> <li>• In Table 63, updated muxing in pinout to show new LBC ECC boot enable control muxed with eTSEC1_MDC</li> <li>• Added pin type information for power supplies.</li> <li>• Removed N1 and N3 from Vss section of Table 63. Added Therm0 and Therm1 (N1 and N3, respectively). Added note 7 to state: “Internal thermally sensitive resistor, resistor value varies linearly with temperature. Useful for determining the junction temperature.”</li> <li>• In Table 65 corrected maximum frequency of Local Bus Frequency from “33–66” to 66 MHz</li> <li>• In Table 65 corrected maximum frequency of PCI from “24–66” to 66 MHz</li> <li>• Added “which is determined by RCWLR[COREPLL],” to the note in Section 20.2, “Core PLL Configuration” about the VCO divider.</li> <li>• Added “(VCOD)” next to VCO divider column in Table 68. Added footnote stating that core_clk frequency must not exceed its maximum, so 2.5:1 and 3:1 core_clk:csb_clk ratios are invalid for certain csb_clk values.</li> <li>• In Table 69, notes were confusing. Added note 3 for VCO column, note 4 for CSB (csb_clk) column, note 5 for USB ref column, and note 6 to replace “Note 1”. Clarified note 4 to explain erratum eTSEC40.</li> <li>• In Table 69, updated note 6 to specify USB reference clock frequencies limited to 24 and 48 for rev. 2 silicon.</li> <li>• Replaced Table 71 “Thermal Resistance for TEPBGAll with Heat Sink in Open Flow”.</li> <li>• Removed last row of Table 19.</li> <li>• Removed 200 MHz rows from Table 21 and Table 5.</li> <li>• Changed VIH minimum spec from 2.0 to 2.1 for clock, PIC, JTAG, SPI, and reset pins in Table 9, Table 47, Table 54, Table 59, and Table 61.</li> <li>• Added Figure 4 showing the DDR input timing diagram.</li> <li>• In Table 19, removed “MDM” from the “MDQS-MDQ/MECC/MDM” text under the Parameter column for the tCISKEW parameter. MDM is an output signal and should be removed from the input AC timing spec table (tCISKEW).</li> <li>• Added “and power” to rows 2 and 3 in Table 10</li> <li>• Added the sentence “Once both the power supplies...” and PORESET to Section 2.2, “Power Sequencing,” and Figure 3.</li> <li>• In Figure 35, corrected “USB0_CLK/USB1_CLK/DR_CLK” with “USBDR_CLK”</li> <li>• In Table 42, clarified that AC specs are for ULPI only.</li> </ul>
0	6/2007	Initial release.

## How to Reach Us:

### Home Page:

[www.freescale.com](http://www.freescale.com)

### Web Support:

<http://www.freescale.com/support>

### USA/Europe or Locations Not Listed:

Freescale Semiconductor, Inc.  
 Technical Information Center, EL516  
 2100 East Elliot Road  
 Tempe, Arizona 85284  
 1-800-521-6274 or  
 +1-480-768-2130  
[www.freescale.com/support](http://www.freescale.com/support)

### Europe, Middle East, and Africa:

Freescale Halbleiter Deutschland GmbH  
 Technical Information Center  
 Schatzbogen 7  
 81829 Muenchen, Germany  
 +44 1296 380 456 (English)  
 +46 8 52200080 (English)  
 +49 89 92103 559 (German)  
 +33 1 69 35 48 48 (French)  
[www.freescale.com/support](http://www.freescale.com/support)

### Japan:

Freescale Semiconductor Japan Ltd.  
 Headquarters  
 ARCO Tower 15F  
 1-8-1, Shimo-Meguro, Meguro-ku  
 Tokyo 153-0064  
 Japan  
 0120 191014 or  
 +81 3 5437 9125  
[support.japan@freescale.com](mailto:support.japan@freescale.com)

### Asia/Pacific:

Freescale Semiconductor China Ltd.  
 Exchange Building 23F  
 No. 118 Jianguo Road  
 Chaoyang District  
 Beijing 100022  
 China  
 +86 10 5879 8000  
[support.asia@freescale.com](mailto:support.asia@freescale.com)

### For Literature Requests Only:

Freescale Semiconductor  
 Literature Distribution Center  
 P.O. Box 5405  
 Denver, Colorado 80217  
 1-800 441-2447 or  
 +1-303-675-2140  
 Fax: +1-303-675-2150  
[LDCForFreescaleSemiconductor@hibbertgroup.com](mailto:LDCForFreescaleSemiconductor@hibbertgroup.com)

Information in this document is provided solely to enable system and software implementers to use Freescale Semiconductor products. There are no express or implied copyright licenses granted hereunder to design or fabricate any integrated circuits or integrated circuits based on the information in this document.

Freescale Semiconductor reserves the right to make changes without further notice to any products herein. Freescale Semiconductor makes no warranty, representation or guarantee regarding the suitability of its products for any particular purpose, nor does Freescale Semiconductor assume any liability arising out of the application or use of any product or circuit, and specifically disclaims any and all liability, including without limitation consequential or incidental damages. "Typical" parameters which may be provided in Freescale Semiconductor data sheets and/or specifications can and do vary in different applications and actual performance may vary over time. All operating parameters, including "Typicals" must be validated for each customer application by customer's technical experts. Freescale Semiconductor does not convey any license under its patent rights nor the rights of others. Freescale Semiconductor products are not designed, intended, or authorized for use as components in systems intended for surgical implant into the body, or other applications intended to support or sustain life, or for any other application in which the failure of the Freescale Semiconductor product could create a situation where personal injury or death may occur. Should Buyer purchase or use Freescale Semiconductor products for any such unintended or unauthorized application, Buyer shall indemnify and hold Freescale Semiconductor and its officers, employees, subsidiaries, affiliates, and distributors harmless against all claims, costs, damages, and expenses, and reasonable attorney fees arising out of, directly or indirectly, any claim of personal injury or death associated with such unintended or unauthorized use, even if such claim alleges that Freescale Semiconductor was negligent regarding the design or manufacture of the part.

Freescale and the Freescale logo are trademarks of Freescale Semiconductor, Inc. Reg. U.S. Pat. & Tm. Off. QorIQ is a trademark of Freescale Semiconductor, Inc. All other product or service names are the property of their respective owners. The Power Architecture and Power.org word marks and the Power and Power.org logos and related marks are trademarks and service marks licensed by Power.org. RapidIO is a registered trademark of the RapidIO Trade Association. IEEE 1588 and 1149.1 are registered trademarks of the Institute of Electrical and Electronics Engineers, Inc. (IEEE). This product is not endorsed or approved by the IEEE.

© 2007–2011 Freescale Semiconductor, Inc.

Document Number: MPC8313EEC

Rev. 4

11/2011

