

4

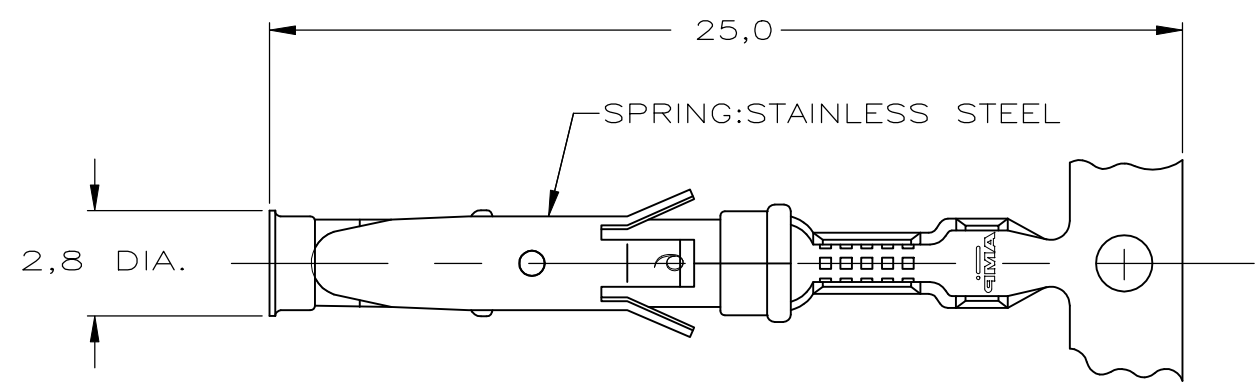
3

2

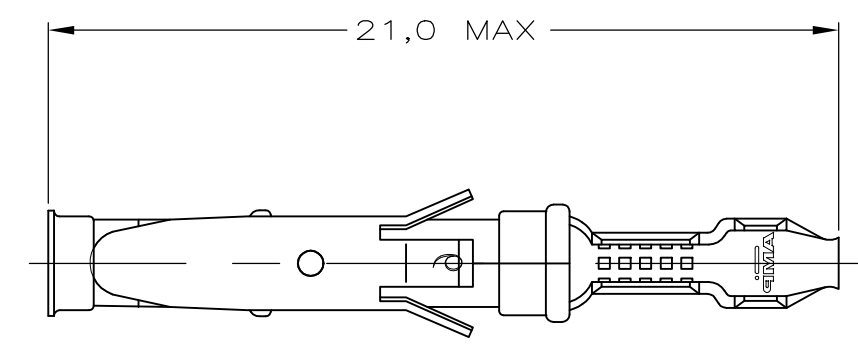
1

THIS DRAWING IS UNPUBLISHED. RELEASED FOR PUBLICATION
 © COPYRIGHT - By - ALL RIGHTS RESERVED.

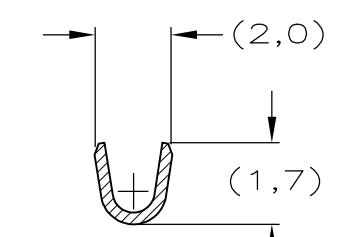
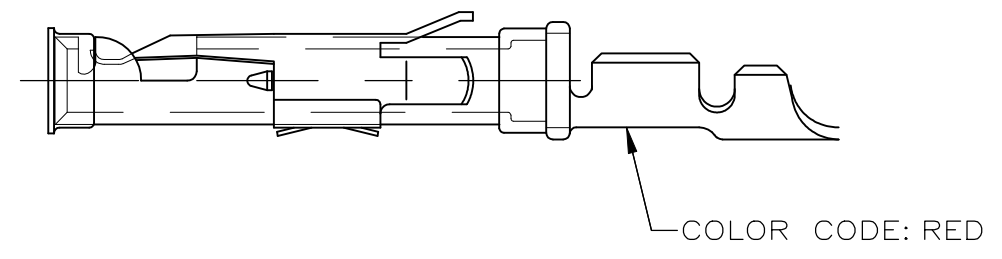
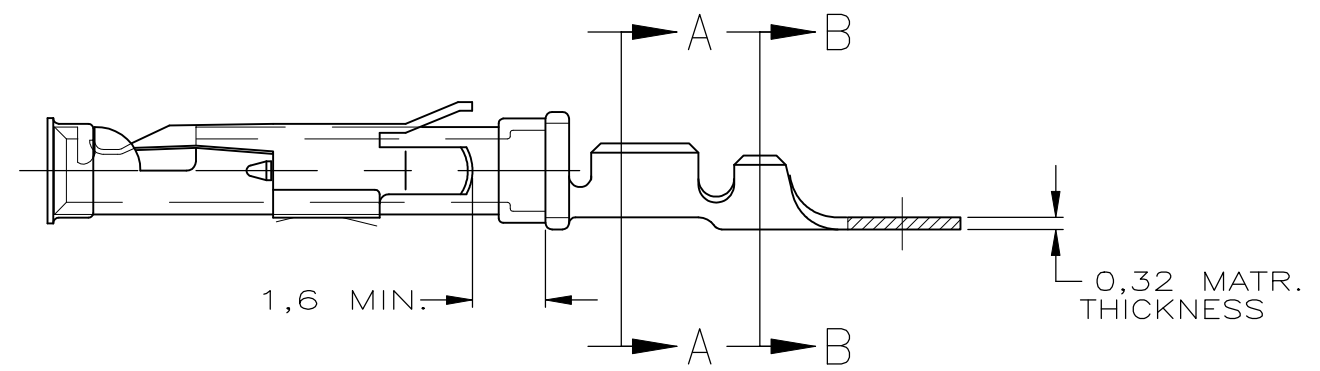
REVISIONS				
P	LTR	DESCRIPTION	DATE	APVD
	Y5	REVISED PER ECO-18-010674	06JUL2018	RS MZ



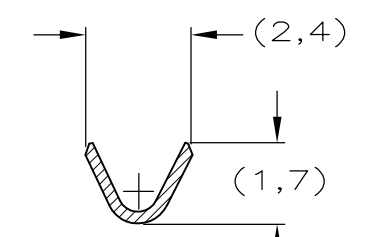
STRIP



LOOSE-PIECE

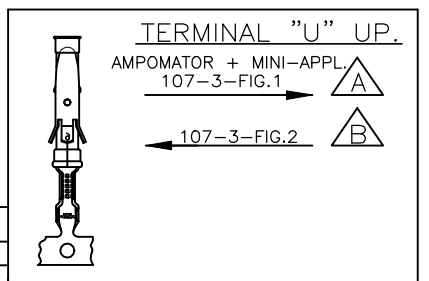


SECTION A-A



SECTION B-B

WIRE RANGE : 0,12-0,20 mm² (26-24 AWG)
 INSUL. RANGE : 0,9 -1,4 mm (.035-.055)



△ OBSOLETE	△	△	△	△	△	△	△	
	5	1-163091-3	A	5	1-163092-3	BRASS	EL.TIN	31 20
		1-163091-2	A		1-163092-2	BRASS	BR.TIN	30
		1-163091-1	A			BRASS	ECON.GOLD	21
		1-163091-0	B		1-163092-0	BRASS	ECON.GOLD	21
		163091-9	A			BRASS	EL.TIN	20
		163091-8	A			BRASS	SEL.GOLD	22
△ OBSOLETE	1	163091-2	B		163092-2	BRASS	SEL.GOLD	22
△	1	163091-1	B		163092-1	BRASS	EL.TIN	20
		PART NUMBER	DIRECTION OF REEL		LOOSE-PIECE	MATERIAL	PLATING	

- NOTES :
- 1 UL RECOGNIZED UNDER E28476 VOL VI SEC I
 - 2 FOR CRIMP DETAILS SEE SPEC. 114-19000
 - 3 MEETS PRODUCT SPECIFICATION 108-10042
 - 4 OBSOLETE PARTS: OBSOLETE CIS STREAMLINING PER D.RENAUD/D.SINISI
 - 5 OBSOLETE
 - 6 OMISSION OF 6 CONTACTS MAX PER REEL OF 5000PCS

NOTES	MATERIAL	THICKNESS	AREA
20	TIN	2,0 μm	ALL OVER
21	NICKEL GOLD TIN	0,8 μm	ALL OVER CONTACT AREA BARREL
22	NICKEL GOLD GOLD	0,8 μm	ALL OVER CONTACT AREA ALL OVER
23	NICKEL GOLD GOLD	1,2 μm	ALL OVER CONTACT AREA ALL OVER
27	NICKEL SILVER TIN	2,5 μm	ALL OVER CONTACT AREA BARREL
28	SILVER	0,5 μm	ALL OVER
29	SILVER	2,5 μm	ALL OVER
30	NICKEL TIN	1,27 μm	ALL OVER
		1,27 μm	ALL OVER

THIS DRAWING IS A CONTROLLED DOCUMENT.

DIMENSIONS:	TOLERANCES UNLESS OTHERWISE SPECIFIED:
mm	0 PLC ± -
	1 PLC ± -
	2 PLC ± -
	3 PLC ± -
	4 PLC ± -
	ANGLES ± -
MATERIAL	FINISH
REFER TABLE	REFER TABLE

DWN	19.08.87
L.V.D.HEIJDEN	
CHK	20.08.87
P.V.D.HAGEN	
APVD	20.08.87
L.V.SOEST	
PRODUCT SPEC	
108-10042	
APPLICATION SPEC	
114-19000	
WEIGHT	
CUSTOMER DRAWING	

STE TE Connectivity Ltd.

NAME: TYPE III+, SIZE 16, SOCKET ASS'Y, 26-24 AWG, 0.9-1.4mm DIA INSULATION

SIZE	CAGE CODE	DRAWING NO	RESTRICTED TO
A3	00779	C-163091	-

SCALE: - SHEET: 1 of 1 REV: Y5