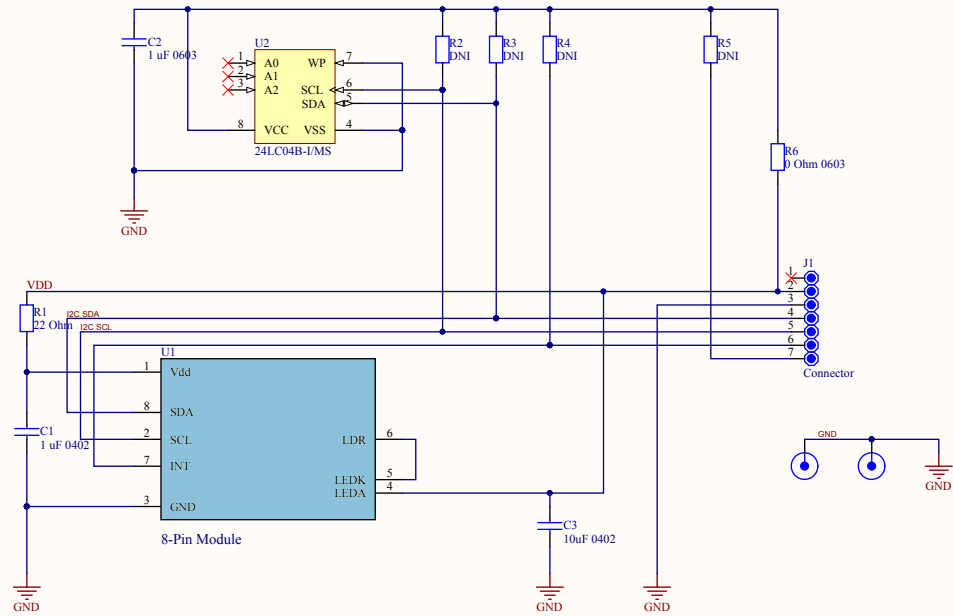


Notes:

- 4 layer PCB: 2 layers for Customer Reference and 2 layers for Evaluation.
- 20 mil trace (minimum) on all power and ground routes.
- Decoupling capacitors are physically close to U1 VDD and U2 VCC, respectively.
- Designed for TMD2772, and can be used with TMD3782 and other mechanically compatible 8-pin Type-A module packaged devices.
- All resistors are EIA 0603 and capacitors are EIA 0402, unless otherwise noted.



Title <b>8-Pin Module</b>		
Size: B	Number:*	Revision: 1,2
Date: 8/28/2013	Time: 9:12:58 AM	Sheet 3 of 6
File: D:\WORK\Projects\8-Pin Type-A Module\8-Pin Module Schematic Sch.Doc		

