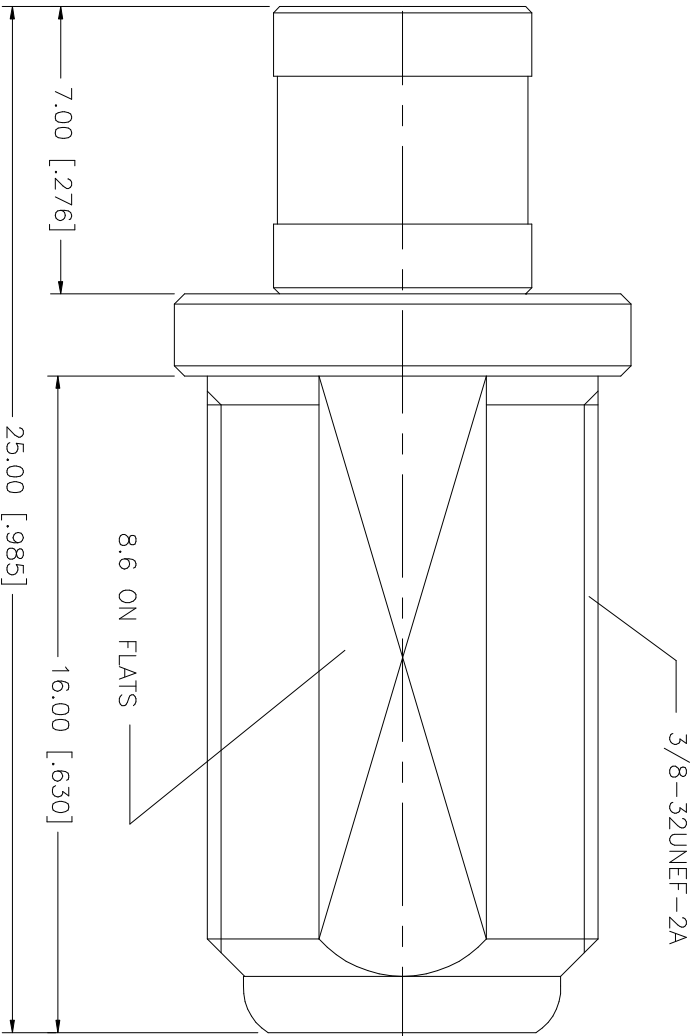


REV.	DATE	DESCRIPTION
NC	04/05/06	INITIAL RELEASE



DESCRIPTION	MATERIAL	FINISH	QTY	UNLESS OTHERWISE SPECIFIED DIMENSIONS ARE IN INCHES AND FOR CUSTOMER REFERENCE ONLY. TOLERANCES FOR MILLIMETERS ARE:	APPROVALS	DATE	PART DESCRIPTION	DWG. NO.	REV.	SIZE	SCALE	
8				0.5 - 8mm ± 0.20mm	UNLESS OTHERWISE SPECIFIED DIMENSIONS ARE IN INCHES AND FOR CUSTOMER REFERENCE ONLY. TOLERANCES FOR MILLIMETERS ARE: 0.5 - 8mm ± 0.20mm 8 - 30mm ± 0.40mm 30 - 120mm ± 0.50mm UNLESS OTHERWISE SPECIFIED DIMENSIONS ARE IN INCHES AND FOR CUSTOMER REFERENCE ONLY. TOLERANCES FOR INCHES ARE: .020 - .315 = ± 0.007" .315 - 1.180 = ± 0.015" 1.180 - 4.724 = ± 0.020"		Amphenol Connex SMB PLUG TO F JACK ADAPTER	242223	NC	A	NA	
7				DO NOT SCALE DRAWING								
6												
5												
4												
3	BER. COPPER	GOLD	1									
2	INSULATOR TEFLON	NATURAL	1									
1	BODY BRASS	NICKEL	1									
DESCRIPTION				CAD FILE		C:/242/242223.DWG						