

FEATURES

Phase-locked loop generated or direct master clock
Low EMI design
107 dB dynamic range and SNR
-94 dB THD + N
Single 3.3 V supply
Tolerance for 5 V logic inputs
Supports 24 bits and 8 kHz to 192 kHz sample rates
Differential ADC input
SPI®-controllable for flexibility
Software-controllable clickless mute
Software power-down
Right justified, left justified, I²S, and TDM modes
Master and slave modes up to 16-channel input/output
Available in a 48-lead LQFP
Qualified for automotive applications

APPLICATIONS

Automotive audio systems
Home Theater Systems
Set-top boxes
Digital audio effects processors

GENERAL DESCRIPTION

The AD1974 is a high performance, single-chip ADC that provides four analog-to-digital converters (ADCs) with differential inputs using the Analog Devices, Inc. patented multibit sigma-delta (Σ - Δ) architecture. An SPI port is included, allowing a microcontroller to enable mutes and adjust many other parameters. The AD1974 operates from 3.3 V digital and analog supplies. The AD1974 is available in a single-ended output 48-lead LQFP.

The AD1974 is designed for low EMI. This consideration is apparent in both the system and circuit design architectures. By using the on-board phase-locked loop (PLL) to derive the master clock from the LR clock or from an external crystal, the AD1974 eliminates the need for a separate high frequency master clock and can also be used with a suppressed bit clock. The ADCs are designed using the latest continuous time architectures from Analog Devices to further minimize EMI. By using 3.3 V supplies, power consumption is minimized, further reducing emissions.

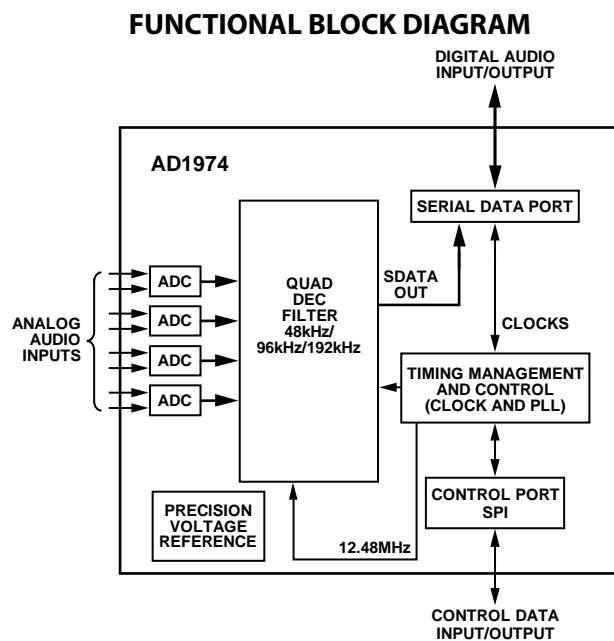


Figure 1.

Rev. D

[Document Feedback](#)

Information furnished by Analog Devices is believed to be accurate and reliable. However, no responsibility is assumed by Analog Devices for its use, nor for any infringements of patents or other rights of third parties that may result from its use. Specifications subject to change without notice. No license is granted by implication or otherwise under any patent or patent rights of Analog Devices. Trademarks and registered trademarks are the property of their respective owners.

One Technology Way, P.O. Box 9106, Norwood, MA 02062-9106, U.S.A.
 Tel: 781.329.4700 ©2007–2013 Analog Devices, Inc. All rights reserved.
[Technical Support](#) www.analog.com

TABLE OF CONTENTS

| | | | |
|--|----|--|----|
| Features | 1 | Theory of Operation | 11 |
| Applications | 1 | Analog-to-Digital Converters (ADCs)..... | 11 |
| General Description | 1 | Clock Signals..... | 11 |
| Functional Block Diagram | 1 | Reset and Power-Down | 11 |
| Revision History | 2 | Serial Control Port | 12 |
| Specifications..... | 3 | Power Supply and Voltage Reference..... | 12 |
| Test Conditions..... | 3 | Serial Data Ports—Data Format..... | 12 |
| Analog Performance Specifications | 3 | TDM Modes..... | 13 |
| Crystal Oscillator Specifications..... | 4 | Daisy-Chain Mode | 14 |
| Digital Input/Output Specifications..... | 4 | Control Registers..... | 18 |
| Power Supply Specifications..... | 5 | PLL and Clock Control Registers..... | 18 |
| Digital Filters..... | 5 | AUXPORT Control Registers..... | 19 |
| Timing Specifications | 5 | ADC Control Registers..... | 20 |
| Absolute Maximum Ratings..... | 7 | Additional Modes..... | 21 |
| Thermal Resistance | 7 | Application Circuits | 23 |
| ESD Caution..... | 7 | Outline Dimensions | 24 |
| Pin Configuration and Function Descriptions..... | 8 | Ordering Guide | 24 |
| Typical Performance Characteristics | 10 | Automotive Products..... | 24 |

REVISION HISTORY

3/13—Rev. C to Rev. B

| | |
|--|----|
| Change to t_{CLH} Parameter, Table 7 | 6 |
| Changes to Serial Control Port Section | 12 |

2/11—Rev. B to Rev. C

| | |
|---|----|
| Changes to Features Section..... | 1 |
| Changes to Ordering Guide | 24 |
| Added Automotive Products Section | 24 |

6/10—Rev. A to Rev. B

| | |
|--|----|
| Changed 130°C to 125°C Throughout..... | 4 |
| Changed T_A to T_C Throughout | 4 |
| Changes to Endnote 2 in Ordering Guide | 24 |

11/09—Rev. 0 to Rev. A

| | |
|--|------------|
| Changed Codec to ADC..... | Throughout |
| Changes to Features and General Description Sections | 1 |
| Changes to Clock Signals Section | 11 |
| Changes to Figure 12 and Figure 13 | 16 |
| Changes to Control Registers Section | 18 |

4/07—Revision 0: Initial Version

SPECIFICATIONS

TEST CONDITIONS

Performance of all channels is identical, exclusive of the interchannel gain mismatch and interchannel phase deviation specifications.

| | |
|-----------------------------------|--|
| Supply Voltages (AVDD, DVDD) | 3.3 V |
| Temperature Range ¹ | As specified in Table 1 and Table 2 |
| Master Clock | 12.288 MHz (48 kHz f_s , $256 \times f_s$ mode) |
| Input Sample Rate | 48 kHz |
| Measurement Bandwidth | 20 Hz to 20 kHz |
| Word Width | 24 bits |
| Load Capacitance (Digital Output) | 20 pF |
| Load Current (Digital Output) | ± 1 mA or $1.5 \text{ k}\Omega$ to $\frac{1}{2}$ DVDD supply |
| Input Voltage High | 2.0 V |
| Input Voltage Low | 0.8 V |

¹ Functionally guaranteed at -40°C to $+125^\circ\text{C}$ case temperature.

ANALOG PERFORMANCE SPECIFICATIONS

Specifications guaranteed at 25°C (ambient).

Table 1.

| Parameter | Conditions | Min | Typ | Max | Unit |
|---|---------------------------------|---------|--------|---------|-----------------------|
| ANALOG-TO-DIGITAL CONVERTERS | | | | | |
| ADC Resolution | All ADCs | | 24 | | Bits |
| Full-Scale Input Voltage (Differential) | | | 1.9 | | V rms |
| Dynamic Range | 20 Hz to 20 kHz, -60 dB input | | | | |
| No Filter (RMS) | | 98 | 102 | | dB |
| With A-Weighted Filter (RMS) | | 100 | 105 | | dB |
| Total Harmonic Distortion + Noise (THD + N) | -1 dBFS | | -96 | -87 | dB |
| Gain Error | | -10 | | $+10$ | % |
| Interchannel Gain Mismatch | | -0.25 | | $+0.25$ | dB |
| Offset Error | | -10 | 0 | $+10$ | mV |
| Gain Drift | | | 100 | | ppm/ $^\circ\text{C}$ |
| Interchannel Isolation | | | -110 | | dB |
| CMRR | 100 mV rms, 1 kHz | | 55 | | dB |
| | 100 mV rms, 20 kHz | | 55 | | dB |
| Input Resistance | | | 14 | | $\text{k}\Omega$ |
| Input Capacitance | | | 10 | | pF |
| Input Common-Mode Bias Voltage | | | 1.5 | | V |
| REFERENCE | | | | | |
| Internal Reference Voltage | FILTR pin | | 1.50 | | V |
| External Reference Voltage | FILTR pin | 1.32 | 1.50 | 1.68 | V |
| Common-Mode Reference Output | CM pin | | 1.50 | | V |

Specifications measured at 125°C (case).

Table 2.

| Parameter | Conditions | Min | Typ | Max | Unit |
|---|-------------------------------|-------|------|-------|-------|
| ANALOG-TO-DIGITAL CONVERTERS | | | | | |
| ADC Resolution | All ADCs | | 24 | | Bits |
| Full-Scale Input Voltage (Differential) | | | 1.9 | | V rms |
| Dynamic Range | 20 Hz to 20 kHz, –60 dB input | | | | |
| No Filter (RMS) | | 95 | 102 | | dB |
| With A-Weighted Filter (RMS) | | 97 | 105 | | dB |
| Total Harmonic Distortion + Noise (THD + N) | –1 dBFS | | –96 | –87 | dB |
| Gain Error | | –10 | | +10 | % |
| Interchannel Gain Mismatch | | –0.25 | | +0.25 | dB |
| Offset Error | | –10 | 0 | +10 | mV |
| REFERENCE | | | | | |
| Internal Reference Voltage | FILTR pin | | 1.50 | | V |
| External Reference Voltage | FILTR pin | 1.32 | 1.50 | 1.68 | V |
| Common-Mode Reference Output | CM pin | | 1.50 | | V |

CRYSTAL OSCILLATOR SPECIFICATIONS

Table 3.

| Parameter | Min | Typ | Max | Unit |
|------------------|-----|-----|-----|-------|
| Transconductance | | 3.5 | | Mmhos |

DIGITAL INPUT/OUTPUT SPECIFICATIONS

–40°C < T_C < +125°C, DVDD = 3.3 V ± 10%.

Table 4.

| Parameter | Conditions/Comments | Min | Typ | Max | Unit |
|--|---|-------------|-----|-----|------|
| Input Voltage High (V _{IH}) | | 2.0 | | | V |
| Input Voltage High (V _{IH}) | MCLKI pin | 2.2 | | | V |
| Input Voltage Low (V _{IL}) | | | | 0.8 | V |
| Input Leakage | I _{IH} @ V _{IH} = 2.4 V | | | 10 | μA |
| | I _{IL} @ V _{IL} = 0.8 V | | | 10 | μA |
| High Level Output Voltage (V _{OH}) | I _{OH} = 1 mA | DVDD – 0.60 | | | V |
| Low Level Output Voltage (V _{OL}) | I _{OL} = 1 mA | | | 0.4 | V |
| Input Capacitance | | | | 5 | pF |

POWER SUPPLY SPECIFICATIONS

Table 5.

| Parameter | Conditions/Comments | Min | Typ | Max | Unit |
|--|--|-----|-----|-----|------|
| SUPPLIES | | | | | |
| Voltage | DVDD | 3.0 | 3.3 | 3.6 | V |
| | AVDD | 3.0 | 3.3 | 3.6 | V |
| Digital Current Normal Operation | MCLK = 256 f _s f _s = 48 kHz | | 56 | | mA |
| | f _s = 96 kHz | | 65 | | mA |
| | f _s = 192 kHz | | 95 | | mA |
| Power-Down | f _s = 48 kHz to 192 kHz | | 2.0 | | mA |
| Analog Current Normal Operation | | | 74 | | mA |
| | Power-Down | | 23 | | mA |
| DISSIPATION | | | | | |
| Operation All Supplies Digital Supply Analog Supply Power-Down, All Supplies | MCLK = 256 f _s , 48 kHz | | | | |
| | | | 429 | | mW |
| | | | 185 | | mW |
| | | | 244 | | mW |
| | | | 83 | | mW |
| POWER SUPPLY REJECTION RATIO | | | | | |
| Signal at Analog Supply Pins | 1 kHz, 200 mV p-p | | 50 | | dB |
| | 20 kHz, 200 mV p-p | | 50 | | dB |

DIGITAL FILTERS

Table 6.

| Parameter | Mode | Factor | Min | Typ | Max | Unit |
|------------------------------|--------------------|-----------------------|------------------------|--------|-----|------|
| ADC DECIMATION FILTER | | | | | | |
| Pass Band | All modes @ 48 kHz | 0.4375 f _s | | 21 | | kHz |
| Pass-Band Ripple | | | | ±0.015 | | dB |
| Transition Band | | 0.5 f _s | | 24 | | kHz |
| Stop Band | | 0.5625 f _s | | 27 | | kHz |
| Stop-Band Attenuation | | | | 79 | | dB |
| Group Delay | | | 22.9844 f _s | | 479 | |

TIMING SPECIFICATIONS

-40°C < T_c < +125°C, DVDD = 3.3 V ± 10%.

Table 7.

| Parameter | Condition | Comments | Min | Max | Unit |
|--|-----------------|--|------|------|-------------------|
| INPUT MASTER CLOCK (MCLK) AND RESET | | | | | |
| t _{MH} | MCLK duty cycle | ADC clock source = PLL clock @ 256 f _s , 384 f _s , 512 f _s , 768 f _s | 40 | 60 | % |
| t _{MH} | | ADC clock source = direct MCLK @ 512 f _s (bypass on-chip PLL) | 40 | 60 | % |
| f _{MCLK} | MCLK frequency | PLL mode, 256 f _s reference | 6.9 | 13.8 | MHz |
| f _{MCLK} | | Direct 512 f _s mode | | 27.6 | MHz |
| t _{PDR} | Low | | 15 | | ns |
| t _{PDRR} | Recovery | Reset to active output | 4096 | | t _{MCLK} |

| Parameter | Condition | Comments | Min | Max | Unit |
|------------------------------|----------------------|--|-----|-----|------|
| PLL | | | | | |
| Lock Time | MCLK and LRCLK input | | | 10 | ms |
| 256 f _s VCO Clock | | | 40 | 60 | % |
| Output Duty Cycle | | | | | |
| MCLK_O Pin | | | | | |
| SPI PORT | | See Figure 5 | | | |
| t _{CCH} | CCLK high | | 35 | | ns |
| t _{CCL} | CCLK low | | 35 | | ns |
| f _{CCLK} | CCLK frequency | f _{CCLK} = 1/t _{CCP} ; only t _{CCP} shown in Figure 5 | | 10 | MHz |
| t _{CDS} | CDATA setup | To CCLK rising | 10 | | ns |
| t _{CDH} | CDATA hold | From CCLK rising | 10 | | ns |
| t _{CLS} | Setup | To CCLK rising | 10 | | ns |
| t _{CLH} | Hold | From CCLK rising | 10 | | ns |
| t _{CLHIGH} | High | Not shown in Figure 5 | 10 | | ns |
| t _{COE} | COOUT enable | From CCLK falling | | 30 | ns |
| t _{COD} | COOUT delay | From CCLK falling | | 30 | ns |
| t _{COH} | COOUT hold | From CCLK falling, not shown in Figure 5 | 30 | | ns |
| t _{COTS} | COOUT tristate | From CCLK falling | | 30 | ns |
| ADC SERIAL PORT | | See Figure 13 | | | |
| t _{ABH} | ABCLK high | Slave mode | 10 | | ns |
| t _{ABL} | ABCLK low | Slave mode | 10 | | ns |
| t _{ALS} | ALRCLK setup | To ABCLK rising, slave mode | 10 | | ns |
| t _{ALH} | ALRCLK hold | From ABCLK rising, slave mode | 5 | | ns |
| t _{ALS} | ALRCLK skew | From ABCLK falling, master mode | -8 | +8 | ns |
| t _{ABDD} | ASDATA delay | From ABCLK falling | | 18 | ns |
| AUXILIARY INTERFACE | | See Figure 12 | | | |
| t _{XDS} | AAUXDATA setup | To AUXBCLK rising | 10 | | ns |
| t _{XDH} | AAUXDATA hold | From AUXBCLK rising | 5 | | ns |
| t _{XBH} | AUXBCLK high | | 10 | | ns |
| t _{XBL} | AUXBCLK low | | 10 | | ns |
| t _{XLS} | AUXLRCLK setup | To AUXBCLK rising | 10 | | ns |
| t _{XLH} | AUXLRCLK hold | From AUXBCLK rising | 5 | | ns |

ABSOLUTE MAXIMUM RATINGS

Table 8.

| Parameter | Rating |
|-------------------------------------|------------------------|
| Analog (AVDD) | −0.3 V to +3.6 V |
| Digital (DVDD) | −0.3 V to +3.6 V |
| Input Current (Except Supply Pins) | ±20 mA |
| Analog Input Voltage (Signal Pins) | −0.3 V to AVDD + 0.3 V |
| Digital Input Voltage (Signal Pins) | −0.3 V to DVDD + 0.3 V |
| Operating Temperature Range (Case) | −40°C to +125°C |
| Storage Temperature Range | −65°C to +150°C |

Stresses above those listed under Absolute Maximum Ratings may cause permanent damage to the device. This is a stress rating only; functional operation of the device at these or any other conditions above those indicated in the operational section of this specification is not implied. Exposure to absolute maximum rating conditions for extended periods may affect device reliability.

THERMAL RESISTANCE

θ_{JA} represents thermal resistance, junction-to-ambient; θ_{JC} represents the thermal resistance, junction-to-case. All characteristics are for a 4-layer board.

Table 9.

| Package Type | θ_{JA} | θ_{JC} | Unit |
|--------------|---------------|---------------|------|
| 48-Lead LQFP | 50.1 | 17 | °C/W |

ESD CAUTION



ESD (electrostatic discharge) sensitive device. Charged devices and circuit boards can discharge without detection. Although this product features patented or proprietary protection circuitry, damage may occur on devices subjected to high energy ESD. Therefore, proper ESD precautions should be taken to avoid performance degradation or loss of functionality.

PIN CONFIGURATION AND FUNCTION DESCRIPTIONS

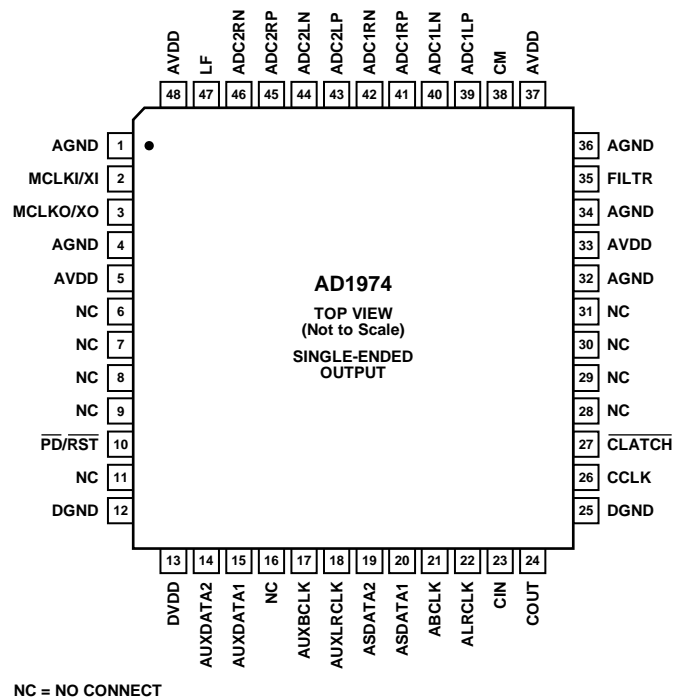


Figure 2. AD1974 Single-Ended Output, 48-Lead LQFP Pin Configuration

Table 10. Pin Function Description

| Pin No. | Type ¹ | Mnemonic | Description |
|--------------------------|-------------------|----------|--|
| 1, 4, 32, 34, 36 | I | AGND | Analog Ground. |
| 2 | I | MCLKI/XI | Master Clock Input/Crystal Oscillator Input. |
| 3 | O | MCLKO/XO | Master Clock Output/Crystal Oscillator Output. |
| 5, 33, 37, 48 | I | AVDD | Analog Power Supply. Connect to analog 3.3 V supply. |
| 6 to 9, 11, 16, 28 to 31 | | NC | No Connect. |
| 10 | I | PD/RST | Power-Down/Reset (Active Low). |
| 12, 25 | I | DGND | Digital Ground. |
| 13 | I | DVDD | Digital Power Supply. Connect to digital 3.3 V supply. |
| 14 | I/O | AUXDATA2 | Auxiliary Data Input 2 (From External ADC 2). |
| 15 | I/O | AUXDATA1 | Auxiliary Data Input 1 (From External ADC 1). |
| 17 | I/O | AUXBCLK | Auxiliary Bit Clock. |
| 18 | I/O | AUXLRCLK | Auxiliary Left-Right Framing Clock. |
| 19 | I/O | ASDATA2 | ADC Serial Data Output 2 (ADC 2 Left and ADC 2 Right)/ADC TDM Data Input. |
| 20 | O | ASDATA1 | ADC Serial Data Output 1 (ADC 1 Left and ADC 1 Right)/ADC TDM Data Output. |
| 21 | I/O | ABCLK | Serial Bit Clock for ADCs. |
| 22 | I/O | ALRCLK | Left-Right Framing Clock for ADCs. |
| 23 | I | CIN | Control Data Input (SPI). |
| 24 | I/O | COUT | Control Data Output (SPI). |
| 26 | I | CCLK | Control Clock Input (SPI). |
| 27 | I | CLATCH | Latch Input for Control Data (SPI). |
| 35 | O | FILTR | Voltage Reference Filter Capacitor Connection. Bypass with 10 μ F 100 nF to AGND. |
| 38 | O | CM | Common-Mode Reference Filter Capacitor Connection. Bypass with 47 μ F 100 nF to AGND. |
| 39 | I | ADC1LP | ADC1 Left Positive Input. |
| 40 | I | ADC1LN | ADC1 Left Negative Input. |
| 41 | I | ADC1RP | ADC1 Right Positive Input. |
| 42 | I | ADC1RN | ADC1 Right Negative Input. |
| 43 | I | ADC2LP | ADC2 Left Positive Input. |

| Pin No. | Type ¹ | Mnemonic | Description |
|---------|-------------------|----------|----------------------------------|
| 44 | I | ADC2LN | ADC2 Left Negative Input. |
| 45 | I | ADC2RP | ADC2 Right Positive Input. |
| 46 | I | ADC2RN | ADC2 Right Negative Input. |
| 47 | O | LF | PLL Loop Filter, Return to AVDD. |

¹I = input, O = output.

TYPICAL PERFORMANCE CHARACTERISTICS

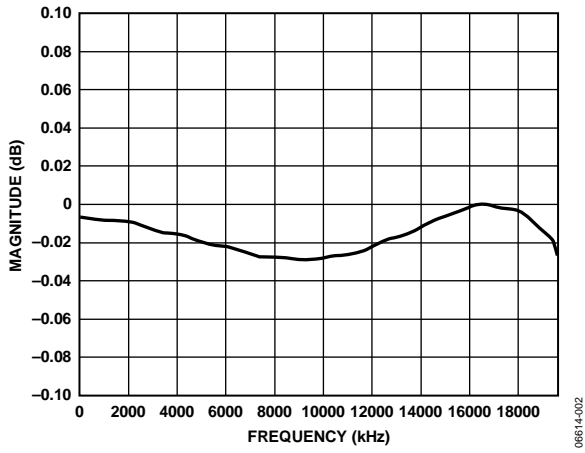


Figure 3. ADC Pass-Band Filter Response, 48 kHz

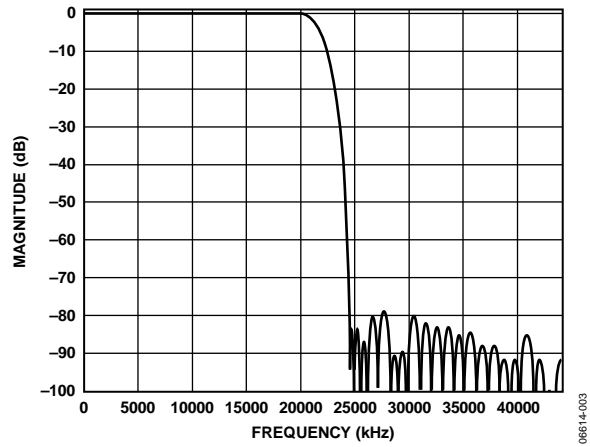


Figure 4. ADC Stop-Band Filter Response, 48 kHz

THEORY OF OPERATION

ANALOG-TO-DIGITAL CONVERTERS (ADCS)

There are four ADC channels in the AD1974 configured as two stereo pairs with differential inputs. The ADCs can operate at a nominal sample rate of 48 kHz, 96 kHz, or 192 kHz. The ADCs include on-board digital antialiasing filters with a 79 dB stop-band attenuation and a linear phase response, operating at an oversampling ratio of 128 (48 kHz, 96 kHz, and 192 kHz modes). Digital outputs are supplied through two serial data output pins (one for each stereo pair) as well as a common frame (ALRCLK) and bit clock (ABCLK). Alternatively, one of the time division multiplexed (TDM) modes can be used to access up to 16 channels on a single TDM data line.

The ADCs must be driven from a differential signal source for best performance. The input pins of the ADCs connect to internal switched capacitors. To isolate the external driving op amp from the glitches caused by the internal switched capacitors, each input pin should be isolated by using a series connected, external, 100 Ω resistor together with a 1 nF capacitor connected from each input to ground. This capacitor must be of high quality, for instance, a ceramic NPO capacitor or a polypropylene film capacitor.

The differential inputs have a nominal common-mode voltage of 1.5 V. The voltage at the common-mode reference pin (CM) can be used to bias external op amps to buffer the input signals (see the Power Supply and Voltage Reference section). The inputs can also be ac-coupled and do not need an external dc bias to CM.

A digital high-pass filter can be switched in line with the ADCs under serial control to remove residual dc offsets. It has a 1.4 Hz, 6 dB per octave cutoff at a 48 kHz sample rate. The cutoff frequency scales directly with sample frequency.

The voltage at CM can be used to bias the external op amps that buffer the output signals (see the Power Supply and Voltage Reference section).

CLOCK SIGNALS

The on-chip PLL can be selected to reference the input sample rate from either the LRCLK or AUXLRCK pins or 256, 384, 512, or 768 times the sample rate, referenced to the 48 kHz mode from the MCLKI/XI pin. The default at power-up is $256 \times f_s$ from MCLKI. In 96 kHz mode, the master clock frequency stays at the same absolute frequency; therefore, the actual multiplication rate is divided by 2. In 192 kHz mode, the actual multiplication rate is divided by 4. For example, if the AD1974 is programmed in $256 \times f_s$ mode, the frequency of the master clock input is $256 \times 48 \text{ kHz} = 12.288 \text{ MHz}$. If the AD1974 is then switched to 96 kHz operation (by writing to the SPI port), the frequency of the master clock should remain at 12.288 MHz ($128 \times f_s$). In 192 kHz mode, this becomes $64 \times f_s$.

The internal clock for the ADCs is $256 \times f_s$ for all clock modes. By default, the on-board PLL generates this internal master clock from an external clock. A direct $512 \times f_s$ (referenced to 48 kHz mode) master clock can be used for the ADCs if selected in the PLL and Clock Control 1 register.

Note that it is not possible to use a direct clock for the ADCs set to the 192 kHz mode. It is required that the on-chip PLL be used in this mode.

The PLL can be powered down in the PLL and Clock Control 0 register. To ensure reliable locking when changing PLL modes, or if the reference clock is unstable at power-on, power down the PLL and then power it back up when the reference clock has stabilized.

The internal MCLK can be disabled in the PLL and Clock Control 0 register to reduce power dissipation when the AD1974 is idle. The clock should be stable before it is enabled. Unless a stand-alone mode is selected (see the Serial Control Port section), the clock is disabled by reset and must be enabled by writing to the SPI port for normal operation.

To maintain the highest performance possible, it is recommended that the clock jitter of the internal master clock signal be limited to less than 300 ps rms time interval error (TIE). Even at these levels, extra noise or tones can appear in the outputs if the jitter spectrum contains large spectral peaks. If the internal PLL is not being used, it is highly recommended that an independent crystal oscillator generate the master clock. In addition, it is especially important that the clock signal should not be passed through an FPGA, CPLD, DSP, or other large digital chip before being applied to the AD1974. In most cases, this induces clock jitter due to the sharing of common power and ground connections with other unrelated digital output signals. When the PLL is used, jitter in the reference clock is attenuated above a certain frequency depending on the loop filter.

RESET AND POWER-DOWN

The reset pin sets all the control registers to their default settings. To avoid pops, reset does not power down the analog outputs. After reset is deasserted, and the PLL acquires a lock condition, an initialization routine runs inside the AD1974. This initialization lasts for approximately 256 master clock cycles.

The PLL and Clock Control 0 register and the ADC Control 1 register power down their respective sections using power down bits. All other register settings are retained. The $\overline{\text{PD/RST}}$ pin should be pulled low by an external resistor to guarantee proper startup.

Table 11. Standalone Mode Selection

| ADC Clocks | CIN | COUT | CCLK | CLATCH |
|------------|-----|------|------|--------|
| Slave | 0 | 0 | 0 | 0 |
| Master | 0 | 1 | 0 | 0 |

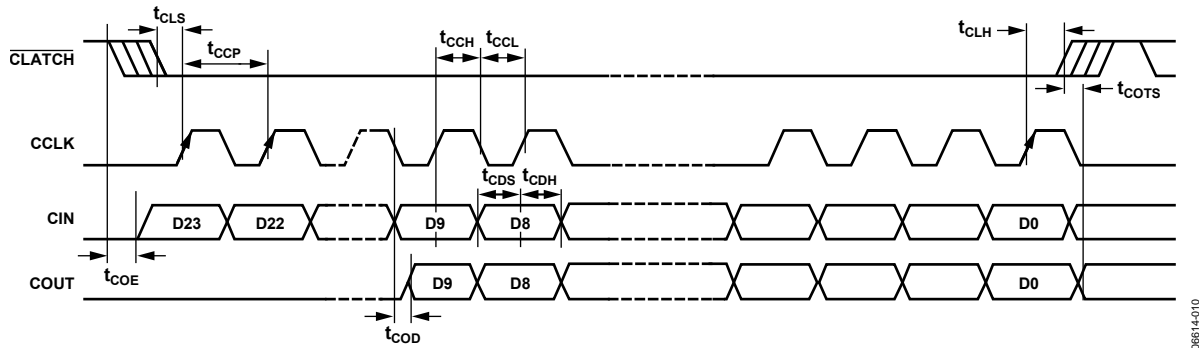


Figure 5. Format of the SPI Signal

SERIAL CONTROL PORT

The AD1974 has an SPI control port that permits programming and reading back of the internal control registers for the ADCs, DACs, and clock system. A standalone mode is also available for operation without serial control; `standalone` is configured at reset by connecting CIN, CCLK, and CLATCH to ground. In standalone mode, all registers are set to default, except the internal MCLK enable, which is set to 1. The ADC, ABCLK, and ALRCLK clock ports are set to master/slave by the connecting the COUT pin to either DVDD or ground. Standalone mode only supports stereo mode with an I2S data format and 256 fs MCLK rate. Refer to Table 11 for details. If CIN, CCLK, and CLATCH are not grounded, the AD1974 SPI port is active. It is recommended to use a weak pull-up resistor on CLATCH in applications that have a microcontroller. This pull-up resistor ensures that the AD1939 recognizes the presence of a microcontroller.

The SPI control port of the AD1974 is a 4-wire serial control port. The format is similar to that of the Motorola SPI® format except that the input data-word is 24 bits wide. The serial bit clock and latch can be completely asynchronous to the sample rate of the ADCs. Figure 5 shows the format of the SPI signal. The first byte is a global address with a read/write bit. For the AD1974, the address is 0x04, shifted left one bit due to the R/W bit. The second byte is the AD1974 register address and the third byte is the data.

POWER SUPPLY AND VOLTAGE REFERENCE

The AD1974 is designed for 3.3 V supplies. Separate power supply pins (Pin 5, Pin 13, Pin 33, Pin 37, and Pin 38) are provided for the analog and digital sections. These pins should be bypassed with 100 nF ceramic chip capacitors, as close to the pins as possible, to minimize noise pickup. A bulk aluminum electrolytic capacitor of at least 22 μF should also be placed on the same PC board as the ADC. For critical applications, improved performance is obtained with separate supplies for the analog and digital sections. If this is not possible, it is rec-

ommended that the analog and digital supplies be isolated by means of a ferrite bead in series with each supply. It is important that the analog supply be as clean as possible.

All digital inputs are compatible with TTL and CMOS levels. All outputs are driven from the 3.3 V DVDD supply and are compatible with TTL and 3.3 V CMOS levels.

The ADC internal voltage reference (VREF) is brought out on FILTR and should be bypassed as close as possible to the AD1974 with a parallel combination of 10 μF and 100 nF. Any external current drawn should be limited to less than 50 μA.

VREF can be disabled in the PLL and Clock Control 1 register and FILTR can be driven from an external source. The ADC input gain varies by the inverse ratio.

CM is the internal common-mode reference. It should be bypassed as close as possible to the AD1974, with a parallel combination of 47 μF and 100 nF. This voltage can be used to bias external op amps to the common-mode voltage of the input and output signal pins. The output current should be limited to less than 0.5 mA source and 2 mA sink.

SERIAL DATA PORTS—DATA FORMAT

The four ADC channels use a common serial bit clock (ABCLK) and a left-right framing clock (ALRCLK) in the serial data port. The clock signals are all synchronous with the sample rate. The normal stereo serial modes are shown in Figure 11.

The ADC serial data modes default to I²S. The ports can also be programmed for left justified, right justified, and TDM modes. The word width is 24 bits by default and can be programmed for 16 or 20 bits. The ADC serial formats and serial clock polarity are programmable according to the ADC Control 1 register. The ADC serial ports are programmable to become the bus masters according to the ADC Control 2 register. By default, both ADC serial ports are in the slave mode.

TDM MODES

The AD1974 serial ports also have several different TDM serial data modes. The first and most commonly used configuration is shown in Figure 6 where the ADC serial port outputs one data stream consisting of four on-chip ADCs followed by four unused slots. In this mode, ABCLK is set to 256 fs (8-channel TDM mode).

The I/O pins of the serial ports are defined according to the serial mode selected. For a detailed description of the function of each pin in TDM and AUX Modes, see Table 12.

The AD1974 allows system configurations with more than four ADC channels (see Figure 7 and Figure 8) that use 8 ADCs and 16 ADCs. In this mode, four AUX channel slots in the TDM out-

put stream follow four on-chip ADC channel slots. It should be noted that due to the high ABCLK frequency, this mode is available only in the 48 kHz/44.1 kHz/32 kHz sample rate.

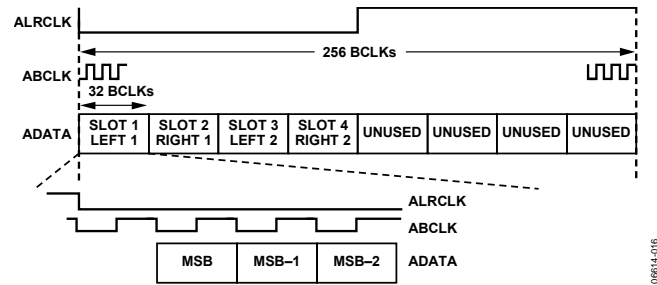


Figure 6. ADC TDM (8-Channel I²S Mode)

Table 12. Pin Function Changes in TDM and AUX Modes

| Pin Name | Stereo Mode | TDM Mode | AUX Mode |
|----------|------------------------|---------------------------------|-----------------------------------|
| ASDATA1 | ADC1 data output | ADC TDM data output | ADCTDM data output |
| ASDATA2 | ADC2 data output | ADC TDM data input | Not used (float) |
| AUXDATA1 | Not used (ground) | Not used (ground) | AUXDATA in 1 (from external ADC1) |
| AUXDATA2 | Not used (ground) | Not used (ground) | AUXDATA in 2 (from external ADC2) |
| ALRCLK | ADC LRCLK input/output | ADC TDM frame sync input/output | ADCTDM frame sync input/output |
| ABCLK | ADC BCLK input/output | ADC TDM BCLK input/output | ADCTDM BCLK input/output |
| AUXLRCLK | Not used (ground) | Not used (ground) | AUXLRCLK input/output |
| AUXBCLK | Not used (ground) | Not used (ground) | AUXBCLK input/output |

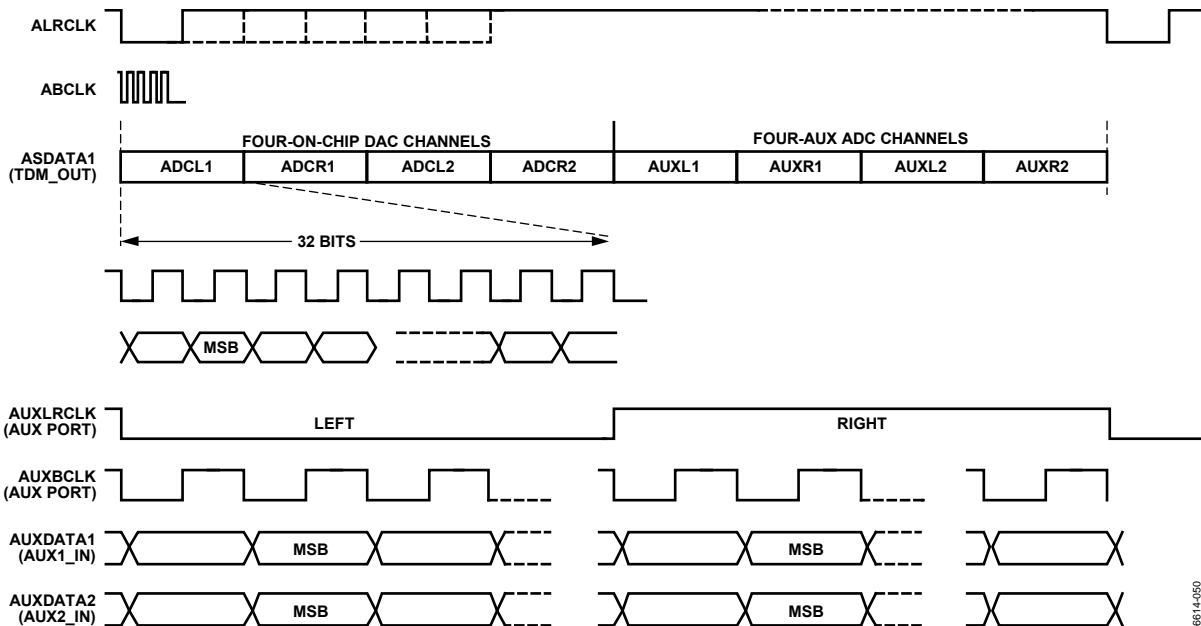


Figure 7. 8-Channel AUX ADC Mode

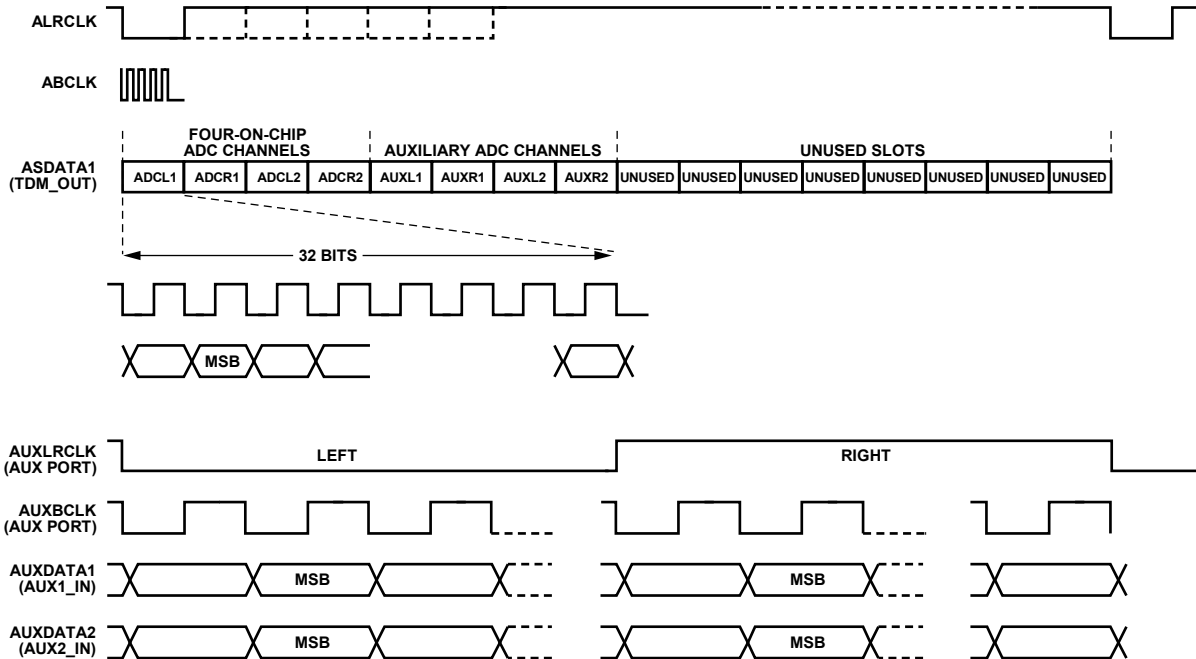


Figure 8. 16-Channel AUX ADC Mode

06614-052

DAISY-CHAIN MODE

The AD1974 also allows a daisy-chain configuration to expand the system to 8 ADCs and 16 ADCs (see Figure 9 and Figure 10). There are two configurations for the ADC port to work in daisy-chain mode. The first one is with an ABCLK at 256 fs shown in Figure 9. The second configuration is with an ABCLK at 512 fs shown in Figure 10. Note that in the 512 fs ABCLK mode, the ADC channels occupy the first eight slots, the second eight slots are empty. The TDM_IN of the first

AD1974 must be grounded in all modes of operation. The second AD1974 is the device attached to the DSP TDM port. The I/O pins of the serial ports are defined according to the serial mode selected. See Table 13 for a detailed description of the function of each pin. See Figure 14 for a typical AD1974 configuration with two external stereo ADCs.

Figure 11 through Figure 13 show the serial mode formats. For maximum flexibility, the polarity of LRCLK and BCLK are programmable. All of the clocks are shown with their normal polarity. The default mode is I²S.

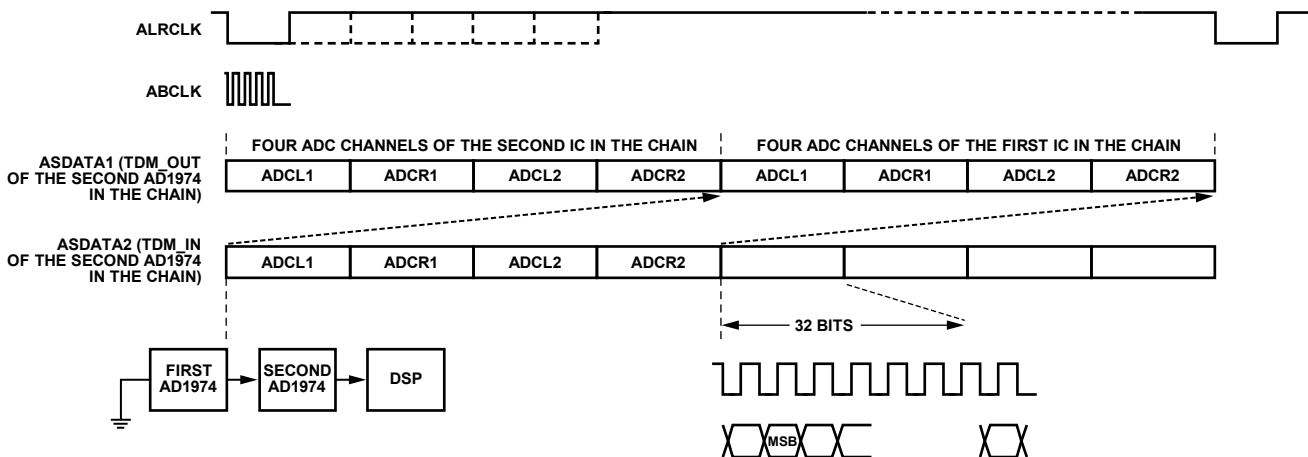


Figure 9. ADC TDM Daisy-Chain Mode (256 fs ABCLK, Two AD1974 Daisy Chains)

06614-056

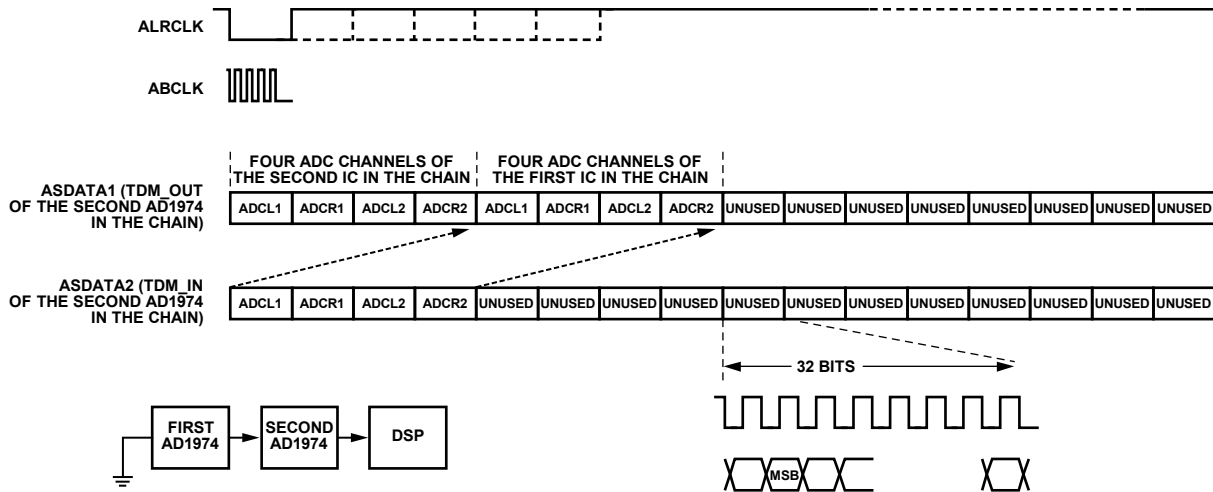
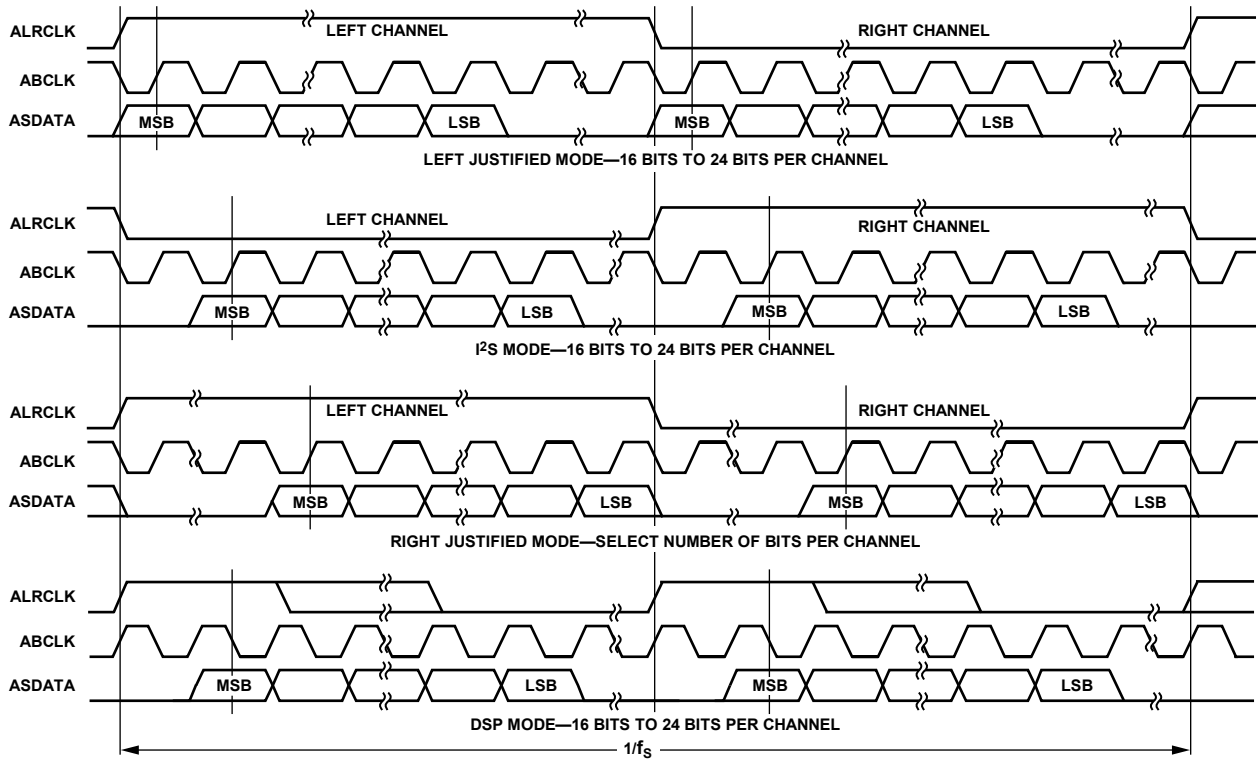


Figure 10. ADC TDM Daisy-Chain Mode (512 fs ABCLK, Two AD1974 Daisy Chains)



NOTES

1. DSP MODE DOES NOT IDENTIFY CHANNEL.
2. LRCLK NORMALLY OPERATES AT f_s EXCEPT FOR DSP MODE WHICH IS $2 \times f_s$.
3. BCLK FREQUENCY IS NORMALLY $64 \times$ LRCLK BUT MAY BE OPERATED IN BURST MODE.

Figure 11. Stereo Serial Modes

08614-057

08614-013

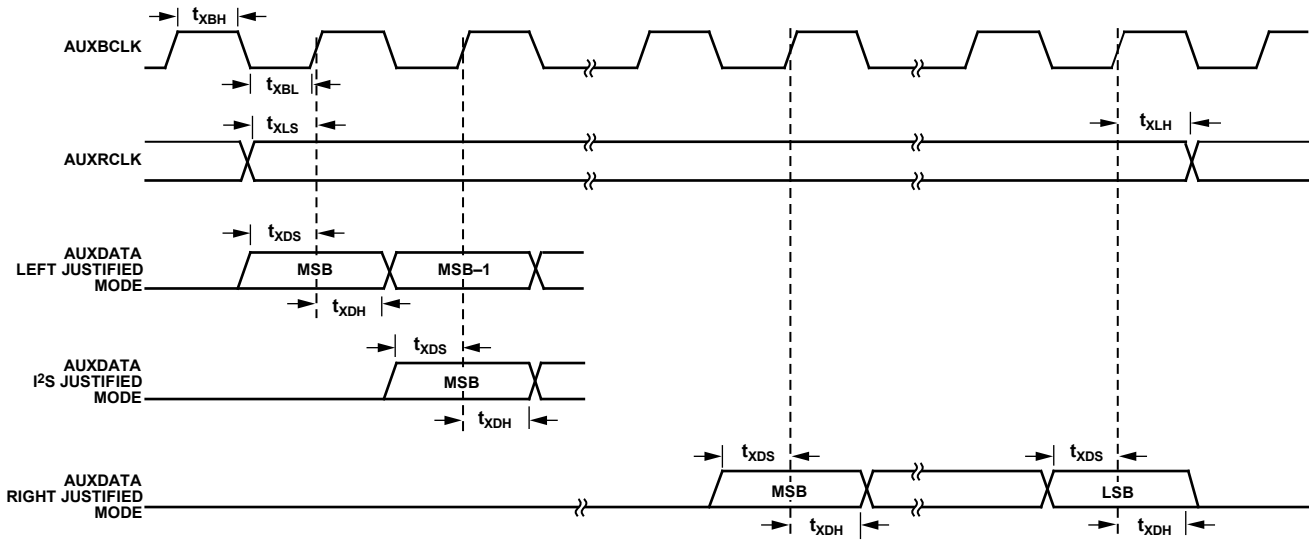


Figure 12. Auxiliary Serial Timing

06614-014

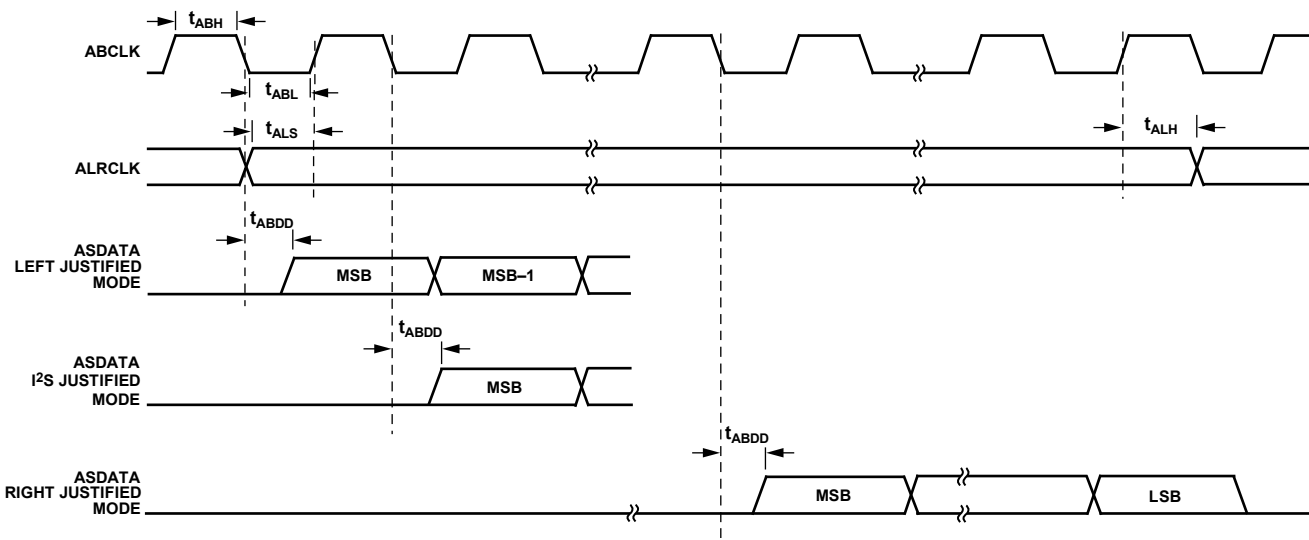


Figure 13. ADC Serial Timing

06614-015

Table 13. Pin Function Changes in TDM and AUX Modes (Replication of Table 12)

| Pin Name | Stereo Mode | TDM Mode | AUX Mode |
|----------|------------------------|---------------------------------|-----------------------------------|
| ASDATA1 | ADC1 data output | ADC TDM data output | ADCTDM data output |
| ASDATA2 | ADC2 data output | ADC TDM data input | Not used (float) |
| AUXDATA1 | Not used (ground) | Not used (ground) | AUXDATA in 1 (from external ADC1) |
| AUXDATA2 | Not used (ground) | Not used (ground) | AUXDATA in 2 (from external ADC2) |
| ALRCLK | ADC LRCLK input/output | ADC TDM Frame Sync input/output | ADCTDM frame sync input/output |
| ABCLK | ADC BCLK input/output | ADC TDM BCLK input/output | ADCTDM BCLK input/output |
| AUXLRCLK | Not used (ground) | Not used (ground) | AUXLRCLK input/output |
| AUXBCLK | Not used (ground) | Not used (ground) | AUXBCLK input/output |

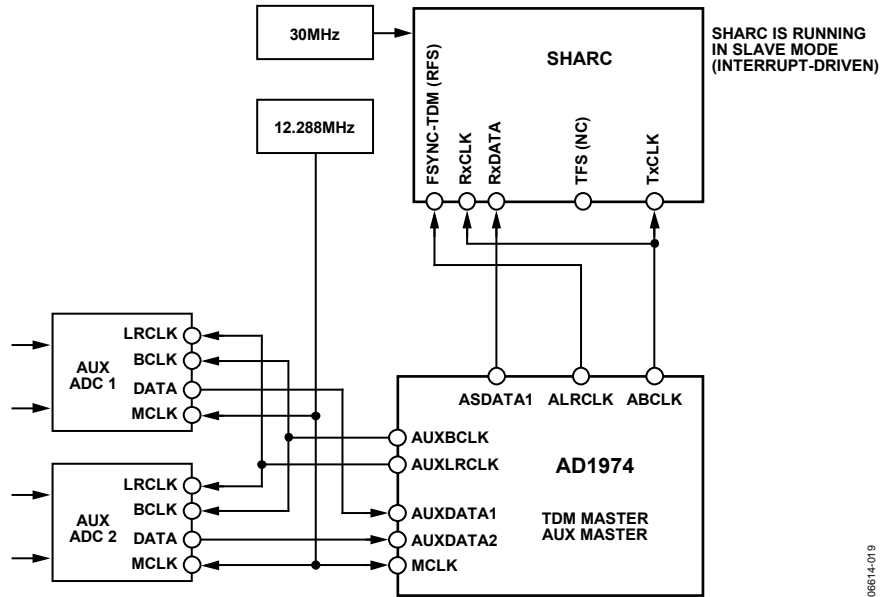


Figure 14. Example of AUX Mode Connection to SHARC® (AD1974 as TDM Master/AUX Master Shown)

08614-019

CONTROL REGISTERS

The global address for the AD1974 is 0x04, shifted left one bit due to the $\overline{R/W}$ bit. All registers are reset to 0.

Note that the first setting in each control register parameter is the default setting.

Table 14. Register Format

| | Global Address | R/W | Register Address | Data |
|-----|----------------|-----|------------------|------|
| Bit | 23:17 | 16 | 15:8 | 7:0 |

Table 15. Register Addresses Description

| Address | Function |
|---------|-------------------------|
| 0 | PLL and Clock Control 0 |
| 1 | PLL and Clock Control 1 |
| 2 | AUXPORT Control 0 |
| 3 | AUXPORT Control 1 |
| 4 | AUXPORT Control 2 |
| 5 | Reserved |
| 6 | Reserved |
| 7 | Reserved |
| 8 | Reserved |
| 9 | Reserved |
| 10 | Reserved |
| 11 | Reserved |
| 12 | Reserved |
| 13 | Reserved |
| 14 | ADC Control 0 |
| 15 | ADC Control 1 |
| 16 | ADC Control 2 |

PLL AND CLOCK CONTROL REGISTERS

Table 16. PLL and Clock Control 0

| Bit | Value | Function | Description |
|-----|-------|--|--|
| 0 | 0 | Normal operation | PLL power-down |
| | 1 | Power-down | |
| 2:1 | 00 | INPUT 256 ($\times 44.1$ kHz or 48 kHz) | MCLKI/XI pin functionality (PLL active), master clock rate setting |
| | 01 | INPUT 384 ($\times 44.1$ kHz or 48 kHz) | |
| | 10 | INPUT 512 ($\times 44.1$ kHz or 48 kHz) | |
| | 11 | INPUT 768 ($\times 44.1$ kHz or 48 kHz) | |
| 4:3 | 00 | XTAL oscillator enabled | MCLKO/XO pin, master clock rate setting |
| | 01 | $256 \times f_s$ VCO output | |
| | 10 | $512 \times f_s$ VCO output | |
| | 11 | Off | |
| 6:5 | 00 | MCLKI/XI | PLL input |
| | 01 | AUXLRCLK | |
| | 10 | ALRCLK | |
| | 11 | Reserved | |
| 7 | 0 | Disable: ADC idle | Internal MCLK enable |
| | 1 | Enable: ADC active | |

Table 17. PLL and Clock Control 1

| Bit | Value | Function | Description |
|-----|-------|------------|--------------------------------|
| 0 | 0 | PLL clock | AUXPORT clock source select |
| | 1 | MCLK | |
| 1 | 0 | PLL clock | ADC clock source select |
| | 1 | MCLK | |
| 2 | 0 | Enabled | On-chip voltage reference |
| | 1 | Disabled | |
| 3 | 0 | Not locked | PLL lock indicator (read only) |
| | 1 | Locked | |
| 7:4 | 0000 | Reserved | |

AUXPORT CONTROL REGISTERS

Table 18. AUXPORT Control 0

| Bit | Value | Function | Description |
|-----|-------|----------------------------------|---------------------------------|
| 0 | 0 | Reserved | Reserved |
| | 1 | Reserved | |
| 2:1 | 00 | 32 kHz/44.1 kHz/48 kHz | Sample rate |
| | 01 | 64 kHz/88.2 kHz/96 kHz | |
| | 10 | 128 kHz/176.4 kHz/192 kHz | |
| | 11 | Reserved | |
| 5:3 | 000 | 1 | AUXDATA delay (AUXBCLK periods) |
| | 001 | 0 | |
| | 010 | 8 | |
| | 011 | 12 | |
| | 100 | 16 | |
| | 101 | Reserved | |
| | 110 | Reserved | |
| | 111 | Reserved | |
| 7:6 | 00 | Stereo (normal) | Serial format |
| | 01 | Reserved | |
| | 10 | ADC AUX mode (ADC-, TDM-coupled) | |
| | 11 | Reserved | |

Table 19. AUXPORT Control 1

| Bit | Value | Function | Description |
|-----|-------|----------------------|-----------------------|
| 0 | 0 | Reserved | |
| | 1 | Reserved | |
| 2:1 | 00 | 64 (two channels) | AUXBCLKs per frame |
| | 01 | Reserved | |
| | 10 | Reserved | |
| | 11 | Reserved | |
| 3 | 0 | Left low | AUXLRCLK polarity |
| | 1 | Left high | |
| 4 | 0 | Slave | AUXLRCLK master/slave |
| | 1 | Master | |
| 5 | 0 | Slave | AUXBCLK master/slave |
| | 1 | Master | |
| 6 | 0 | AUXBCLK pin | AUXBCLK source |
| | 1 | Internally generated | |
| 7 | 0 | Normal | AUXBCLK polarity |
| | 1 | Inverted | |

Table 20. AUXPORT Control 2

| Bit | Value | Function | Description |
|-----|-------|----------|-------------|
| 0 | 0 | Reserved | |
| | 1 | Reserved | |
| 2:1 | 00 | Reserved | |
| | 01 | Reserved | |
| | 10 | Reserved | |
| | 11 | Reserved | |
| 4:3 | 00 | 24 | Word width |
| | 01 | 20 | |
| | 10 | Reserved | |
| | 11 | 16 | |
| 5 | 0 | Reserved | |
| | 1 | Reserved | |
| 7:6 | 00 | Reserved | |

ADC CONTROL REGISTERS

Table 21. ADC Control 0

| Bit | Value | Function | Description |
|-----|-------|---------------------------|--------------------|
| 0 | 0 | Normal | Power-down |
| | 1 | Power down | |
| 1 | 0 | Off | High-pass filter |
| | 1 | On | |
| 2 | 0 | Unmute | ADC1L mute |
| | 1 | Mute | |
| 3 | 0 | Unmute | ADC1R mute |
| | 1 | Mute | |
| 4 | 0 | Unmute | ADC2L mute |
| | 1 | Mute | |
| 5 | 0 | Unmute | ADC2R mute |
| | 1 | Mute | |
| 7:6 | 00 | 32 kHz/44.1 kHz/48 kHz | Output sample rate |
| | 01 | 64 kHz/88.2 kHz/96 kHz | |
| | 10 | 128 kHz/176.4 kHz/192 kHz | |
| | 11 | Reserved | |

Table 22. ADC Control 1

| Bit | Value | Function | Description |
|-----|-------|----------|----------------------------|
| 1:0 | 00 | 24 | Word width |
| | 01 | 20 | |
| | 10 | Reserved | |
| | 11 | 16 | |
| 4:2 | 000 | 1 | SDATA delay (BCLK periods) |
| | 001 | 0 | |
| | 010 | 8 | |
| | 011 | 12 | |
| | 100 | 16 | |
| | 101 | Reserved | |
| | 110 | Reserved | |
| | 111 | Reserved | |

| Bit | Value | Function | Description |
|-----|-------|-------------------------------------|---------------------------|
| 6:5 | 00 | Stereo | Serial format |
| | 01 | TDM (daisy chain) | |
| | 10 | ADC AUX mode (TDM-coupled) | |
| | 11 | Reserved | |
| 7 | 0 | Latch in midcycle (normal) | BCLK active edge (TDM_IN) |
| | 1 | Latch in at end of cycle (pipeline) | |

Table 23. ADC Control 2

| Bit | Value | Function | Description |
|-----|-------|--|--------------------|
| 0 | 0 | 50/50 (allows 32-/24-/20-/16-BCLK per channel) | LRCLK format |
| | 1 | Pulse (32-BCLK/channel) | |
| 1 | 0 | Drive out on falling edge (DEF) | BCLK polarity |
| | 1 | Drive out on rising edge | |
| 2 | 0 | Left low | LRCLK polarity |
| | 1 | Left high | |
| 3 | 0 | Slave | LRCLK master/slave |
| | 1 | Master | |
| 5:4 | 00 | 64 | BCLKs per frame |
| | 01 | 128 | |
| | 10 | 256 | |
| | 11 | 512 | |
| 6 | 0 | Slave | BCLK master/slave |
| | 1 | Master | |
| 7 | 0 | ABCLK pin | BCLK source |
| | 1 | Internally generated | |

ADDITIONAL MODES

The AD1974 offers several additional modes for board level design enhancements. To reduce the EMI in board level design, serial data can be transmitted without an explicit BCLK. See Figure 15 for an example of an ADC TDM data transmission mode that does not require high speed ABCLK. This configuration is applicable when the AD1974 master clock is generated by the PLL with the ALRCLK as the PLL reference frequency.

To relax the requirement for the setup time of the AD1974 in cases of high speed TDM data transmission, the AD1974 can latch in the data using the falling edge of ABCLK. This effectively dedicates the entire BCLK period to the setup time. This mode is useful in cases where the source has a large delay time in the serial data driver. Figure 16 shows this pipeline mode of data transmission.

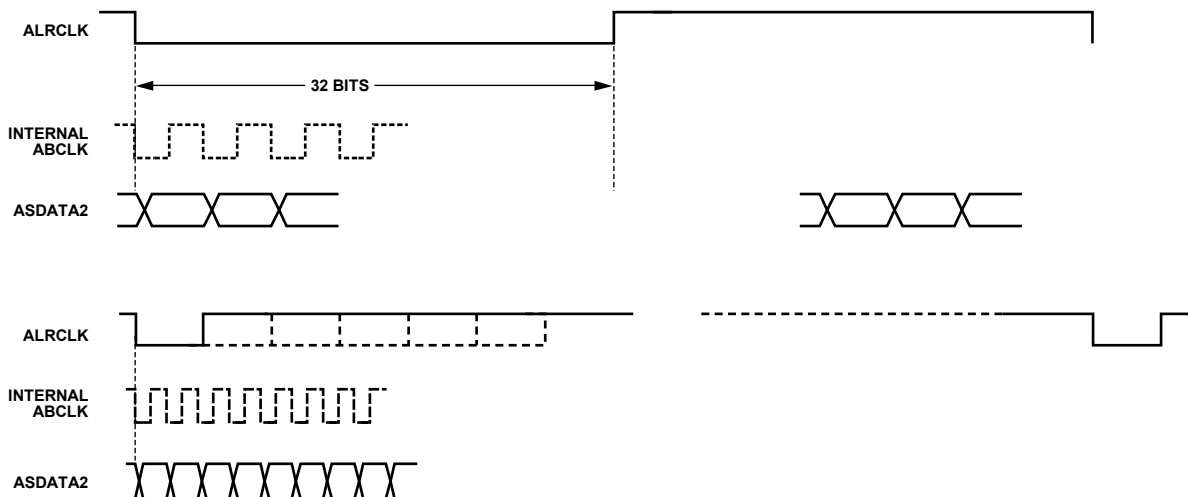
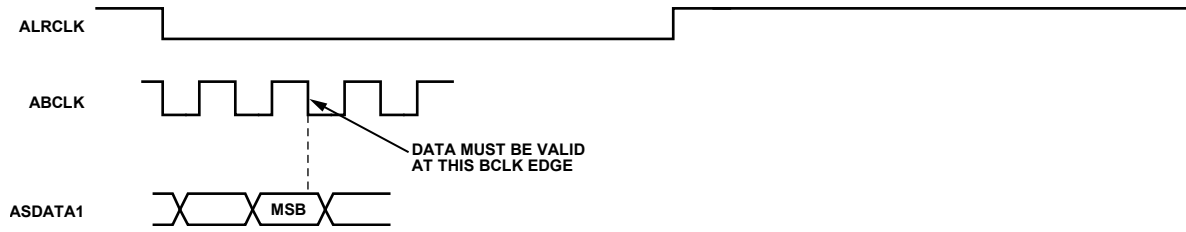


Figure 15. Serial ADC Data Transmission in TDM Format Without ABCLK (Applicable Only If PLL Locks to ALRCLK)



06814-060

Figure 16. I²S Pipeline Mode in ADC Serial Data Transmission
(Applicable in Stereo and TDM Useful for High Frequency TDM Transmission)

APPLICATION CIRCUITS

Typical applications circuits are shown in Figure 17 and Figure 18. Figure 17 shows a typical ADC input filter circuit. Recommended loop filters for LR clock and master clock as the PLL reference are shown in Figure 18.

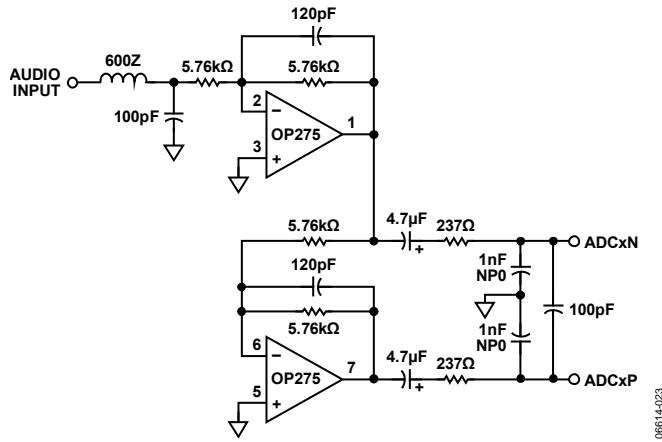


Figure 17. Typical ADC Input Filter Circuit

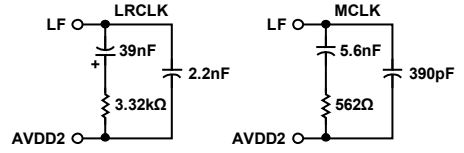
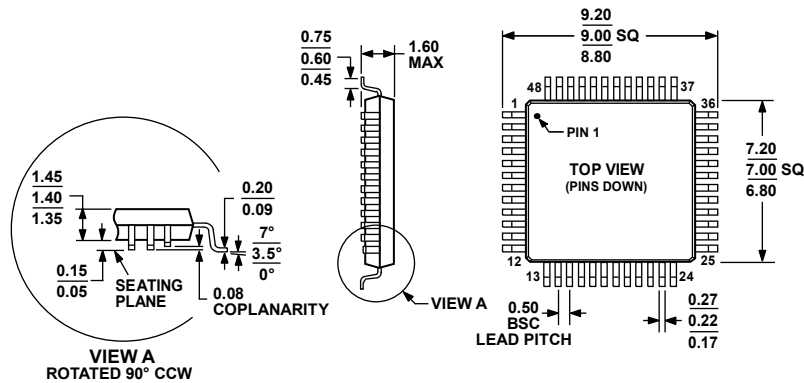


Figure 18. Recommended Loop Filters for LRCLK or MCLK PLL Reference

OUTLINE DIMENSIONS



COMPLIANT TO JEDEC STANDARDS MS-026-BBC

Figure 19. 48-Lead Low Profile Quad Flat Package [LQFP] (ST-48)

Dimensions shown in millimeters

051706-A

ORDERING GUIDE

| Model ^{1, 2, 3} | Temperature Range | Package Description | Package Option |
|--------------------------|-------------------|---------------------------------|----------------|
| AD1974YSTZ | -40°C to +105°C | 48-Lead LQFP | ST-48 |
| AD1974YSTZ-RL | -40°C to +105°C | 48-Lead LQFP, 13" Tape and Reel | ST-48 |
| AD1974WBSTZ | -40°C to +105°C | 48-Lead LQFP | ST-48 |
| AD1974WBSTZ-RL | -40°C to +105°C | 48-Lead LQFP, 13" Tape and Reel | ST-48 |
| EVAL-AD1974AZ | | Evaluation Board | |

¹ Z = RoHS Compliant Part.² W = Qualified for Automotive Applications.³ SPI control port.

AUTOMOTIVE PRODUCTS

The AD1974W models are available with controlled manufacturing to support the quality and reliability requirements of automotive applications. Note that these automotive models may have specifications that differ from the commercial models; therefore, designers should review the Specifications section of this data sheet carefully. Only the automotive grade products shown are available for use in automotive applications. Contact your local Analog Devices account representative for specific product ordering information and to obtain the specific Automotive Reliability reports for these models.