

EVALUATION KIT  
AVAILABLE

# Low-Power, 622Mbps Limiting Amplifiers with Chatter-Free Power Detect for LANs

## General Description

The MAX3761/MAX3762 limiting amplifiers, with 4mV sensitivity and PECL data outputs, are optimized for operation in low-cost, 622Mbps, LAN/ATM LAN fiber optics applications.

An integrated power detector senses the input signal's amplitude. A received-signal-strength indicator (RSSI) gives an analog indication of the power level, while the complementary loss-of-signal (LOS) outputs indicate if the input power level exceeds the programmed threshold level. The LOS threshold can be adjusted to detect signal amplitudes between 3mVp-p and 100mVp-p, providing a 15dB LOS adjustment in fiber optic receivers. The LOS outputs have 3.5dB of hysteresis, which prevents chatter when input signal levels are small. The MAX3761's LOS outputs are compatible with TTL-logic levels. The MAX3762 has PECL LOS outputs.

DISABLE and LOS can be used to implement a squelch function, which turns off the data outputs when the input signal is below the programmed threshold.

## Applications

622Mbps LAN/ATM LAN Receivers

155Mbps LAN/ATM LAN Receivers

## Pin Configuration



## Features

- ◆ Chatter-Free Power Detector with Programmable Loss-of-Signal Outputs
- ◆ 4mV Input Sensitivity
- ◆ PECL Data Outputs
- ◆ Single 5V Power Supply
- ◆ 250ps Output Edge Speed
- ◆ Low 15ps Pulse-Width Distortion
- ◆ TTL Loss-of-Signal Interface Logic—MAX3761
- ◆ PECL Loss-of-Signal Interface Logic—MAX3762

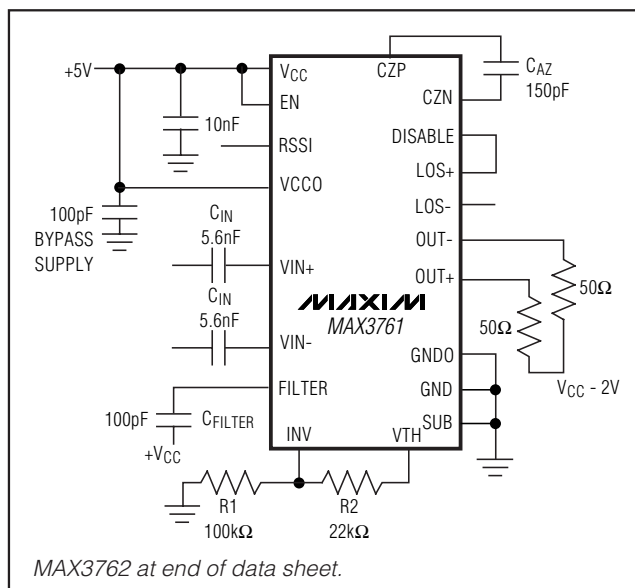
## Ordering Information

PART	TEMP RANGE	PIN-PACKAGE
MAX3761EEP+	-40°C to +85°C	20 QSOP
MAX3761E/D	-40°C to +85°C	Dice*
MAX3762EEP+	-40°C to +85°C	20 QSOP
MAX3762E/D	-40°C to +85°C	Dice*

\*Dice are designed to operate from -40°C to +85°C, but are tested and guaranteed only at  $T_A = +25^\circ\text{C}$ .

+Denotes a lead-free/RoHS-compliant package.

## Typical Operating Circuits



MAX3762 at end of data sheet.

# Low-Power, 622Mbps Limiting Amplifiers with Chatter-Free Power Detect for LANs

## ABSOLUTE MAXIMUM RATINGS

V <sub>CC</sub> , V <sub>CCO</sub> .....	-0.5V to +7.0V	Operating Junction Temperature Range.....	-40°C to +150°C
FILTER, RSSI, EN, VIN+, VIN-, CZP, CZN,		Processing Temperature (die).....	+400°C
DISABLE, LOS+, LOS-, INV, VTH.....	-0.5V to (V <sub>CC</sub> + 0.5V)	Storage Temperature Range.....	-65°C to +160°C
PECL Output Current (OUT+, OUT-, LOS+, LOS-).....	50mA	Lead Temperature (soldering, 10sec).....	+300°C
Continuous Power Dissipation (T <sub>A</sub> = +85°C)			
QSOP (derate 9.1mW/°C above +85°C).....	591mW		

Stresses beyond those listed under "Absolute Maximum Ratings" may cause permanent damage to the device. These are stress ratings only, and functional operation of the device at these or any other conditions beyond those indicated in the operational sections of the specifications is not implied. Exposure to absolute maximum rating conditions for extended periods may affect device reliability.

## DC ELECTRICAL CHARACTERISTICS

(V<sub>CC</sub> = +4.5V to +5.5V, DISABLE = low, T<sub>A</sub> = -40°C to +85°C, unless otherwise noted. Typical values are at V<sub>CC</sub> = +5.0V, T<sub>A</sub> = +25°C.) (Note 1)

PARAMETER	CONDITIONS	MIN	TYP	MAX	UNITS
Power-Supply Current	MAX3761, I <sub>VCC</sub>		25	37	mA
	MAX3762, I <sub>VCC</sub>		30	46	
LOS Output TTL High	MAX3761	2.8			V
LOS Output TTL Low	MAX3761	(T <sub>A</sub> = +25°C to +85°C)		0.40	V
		(T <sub>A</sub> = -40°C to +25°C)		0.44	
LOS Output PECL High	MAX3762 (Notes 2, 3)	-1150		-880	mV
LOS Output PECL Low	MAX3762 (Notes 2, 3)	-1830		-1555	mV
DISABLE Input Current	Logic high			100	μA
DISABLE Input High	MAX3761	2.65			V
DISABLE Input Low	MAX3761			0.8	V
DISABLE Input PECL High	MAX3762 (Note 3)	-1160			mV
DISABLE Input PECL Low	MAX3762 (Note 3)			-1470	mV
PECL Data Output Voltage High (V <sub>OH</sub> )	(Notes 2, 3)	-1150		-880	mV
PECL Data Output Voltage Low (V <sub>OL</sub> )	(Notes 2, 3)	-1830		-1555	mV
Disabled Differential Output	DISABLE = high	-100		100	mV
Disabled Common-Mode Output	DISABLE = high	V <sub>CC</sub> - 0.7		V <sub>CC</sub> - 1.2	V

**Note 1:** Dice are tested at T<sub>A</sub> = +25°C.

**Note 2:** Outputs terminated with 50Ω to V<sub>CC</sub> - 2V.

**Note 3:** Voltage measurements are relative to V<sub>CC</sub>.

# Low-Power, 622Mbps Limiting Amplifiers with Chatter-Free Power Detect for LANs

## AC ELECTRICAL CHARACTERISTICS

( $V_{CC} = +4.5V$  to  $+5.5V$ , PECL outputs terminated with  $50\Omega$  to  $V_{CC} - 2V$ , input  $4mV$  to  $2Vp-p$ ,  $T_A = -40^\circ C$  to  $+85^\circ C$ , unless otherwise noted. Typical values are at  $V_{CC} = +5.0V$ ,  $T_A = +25^\circ C$ .) (Note 5)

PARAMETER	CONDITIONS	MIN	TYP	MAX	UNITS
Minimum LOS Assert Input	$T_A = -40^\circ C$ , $2^{23} - 1$ PRBS			3.2	mV
Data-Output Edge Speed	20% to 80%			250	ps
Data-Output Overshoot	(Note 6)			20	%
Pulse-Width Distortion	(Notes 6, 7)		15	80	ps
Input Resistance	Differential		3900		$\Omega$
LOS Hysteresis	$2^{23} - 1$ PRBS, $V_{TH} = 1.8V$		3.5		dB

**Note 5:** AC parameters are guaranteed by design and characterization.

**Note 6:** Input signal is a 1-0 pattern, 622Mbps.

**Note 7:**  $PWD = [(width\ of\ wider\ pulse) - (width\ of\ narrower\ pulse)] / 2$ .

## Typical Operating Characteristics

(MAX3761/MAX3762 EV kit,  $V_{CC} = +5.0V$ , PECL outputs terminated with  $50\Omega$  to  $V_{CC} - 2V$ , input is a 1-0 pattern, 622Mbps,  $T_A = +25^\circ C$ , unless otherwise noted.)



# Low-Power, 622Mbps Limiting Amplifiers with Chatter-Free Power Detect for LANs

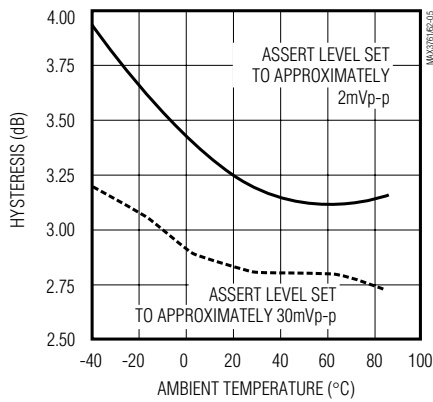
## Typical Operating Characteristics (continued)

(MAX3761/MAX3762 EV kit,  $V_{CC} = +5.0V$ , PECL outputs terminated with  $50\Omega$  to  $V_{CC} - 2V$ , input is a 1-0 pattern, 622Mbps,  $T_A = +25^\circ C$ , unless otherwise noted.)

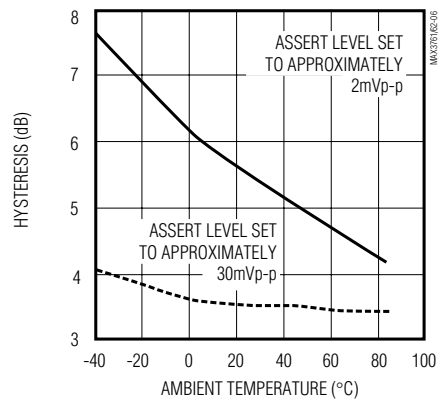
**RSSI vs. TEMPERATURE  
(622Mbps 2<sup>23</sup> - 1 PRBS)**



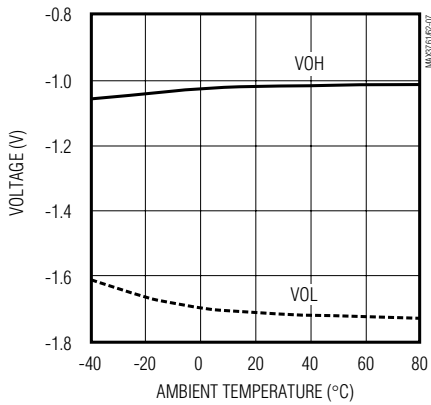
**LOS HYSTERESIS vs. TEMPERATURE  
(622Mbps 2<sup>23</sup> - 1 PRBS PATTERN)**



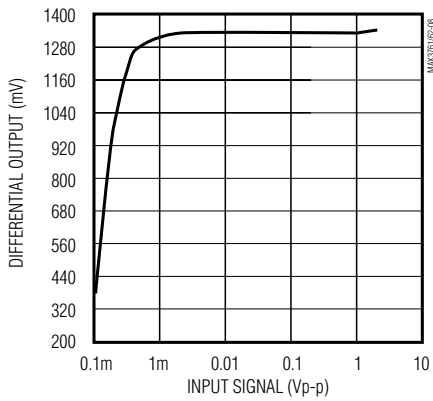
**LOS HYSTERESIS vs. TEMPERATURE  
(622Mbps 1-0 PATTERN)**



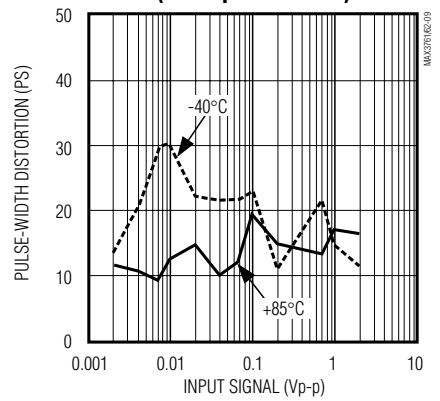
**DATA OUTPUT LEVELS  
(REFERENCE TO  $V_{CC}$ )**



**DIFFERENTIAL OUTPUT  
vs. INPUT AMPLITUDE**



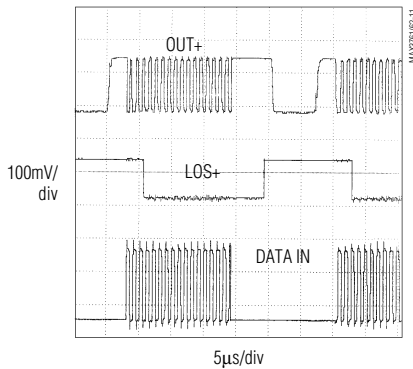
**PULSE-WIDTH DISTORTION  
(622Mbps DATA RATE)**



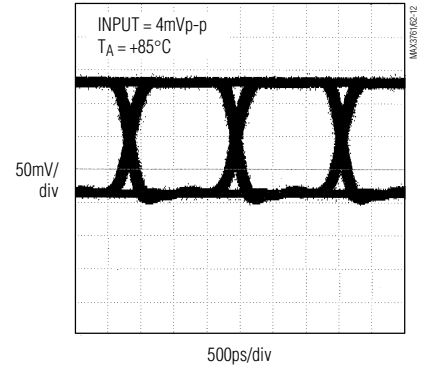
**LOS OPERATION  
WITH SQUELCHING**



**LOS OPERATION  
WITHOUT SQUELCHING**



**DATA OUTPUT SINGLE-ENDED  
(2<sup>23</sup> - 1 PRBS PATTERN)**



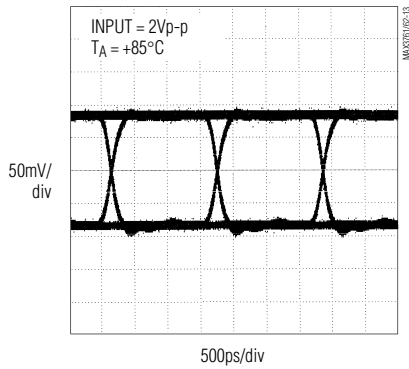
# Low-Power, 622Mbps Limiting Amplifiers with Chatter-Free Power Detect for LANs

## Typical Operating Characteristics (continued)

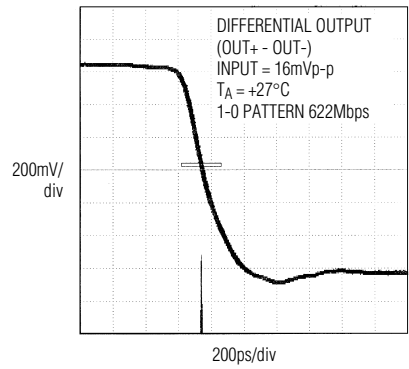
(MAX3761/MAX3762 EV kit,  $V_{CC} = +5.0V$ , PECL outputs terminated with  $50\Omega$  to  $V_{CC} - 2V$ , input is a 1-0 pattern, 622Mbps,  $T_A = +25^\circ C$ , unless otherwise noted.)

MAX3761/MAX3762

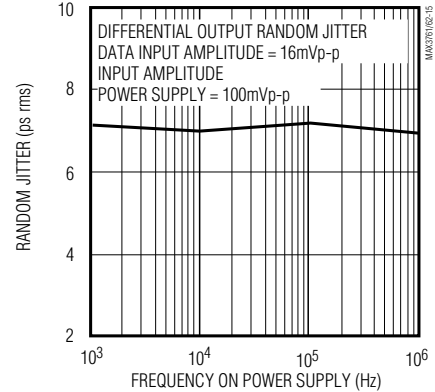
**DATA OUTPUT SINGLE-ENDED  
(2<sup>23</sup>-1 PRBS PATTERN)**



**RANDOM JITTER**



**RANDOM JITTER vs.  
POWER-SUPPLY NOISE FREQUENCY**



## Pin Description

PIN	NAME	FUNCTION
1	FILTER	Sets the integration frequency of the power detector. Impedance at this node is approximately 500Ω.
2	RSSI	Received-Signal-Strength Indicator. An analog DC voltage representing the input power.
3	EN	Connect to $V_{CC}$ .
4, 17	$V_{CC}$	+5V Power Supply
5	VIN+	Positive Input Data
6	VIN-	Negative Input Data
7	GND	Supply Ground
8	SUB	Substrate. Connect to ground.
9	CZP	Sets input offset correction, low-frequency cutoff.
10	CZN	Sets input offset correction, low-frequency cutoff.
11	INV	Negative Input to Op Amp. Used for programming the loss-of-signal threshold.
12	VTH	Loss-of-Signal Threshold Voltage
13	GNDO	Ground Power Supply for Output Buffers
14	OUT-	Negative PECL Data Output
15	OUT+	Positive PECL Data Output
16	VCCO	+5V Power Supply for Output Buffers
18	LOS-	Negative Loss-of-Power Flag, TTL (MAX3761) or PECL (MAX3762)
19	LOS+	Positive Loss-of-Power Flag, TTL (MAX3761) or PECL (MAX3762)
20	DISABLE	Disables the data outputs when high. TTL (MAX3761) or PECL (MAX3762).

# Low-Power, 622Mbps Limiting Amplifiers with Chatter-Free Power Detect for LANs



Figure 1. Functional Diagram

## Detailed Description

Figure 1 shows the functional diagram for the MAX3761/MAX3762. The input signal is applied to VIN+ and VIN-. A chain of amplifier stages, each contributing approximately 12.5dB of gain, amplifies the input signal to PECL output voltage swings. A 4mVp-p input signal will cause the output to fully limit.

### Received-Signal-Strength Indicator (RSSI)

Each amplifier stage contains a full-wave logarithmic detector (FWD). The full-wave detector outputs are summed at the FILTER pin and used to generate the received-signal-strength indication (RSSI). The RSSI output voltage is linearly proportional to the input power (in decibels), and is approximated by:

$$V_{RSSI}(V) = 1.13 + 0.457 \log(V_{IN})$$

where  $V_{IN}$  is the peak-to-peak input signal in millivolts.

The RSSI output is insensitive to fluctuations in temperature and supply voltage. The power detector functions as a broadband power meter that detects the total power of all signals present in the passband of approximately 750MHz. Refer to the *Typical Operating Characteristics* graphs showing RSSI output versus input power and signal amplitude.

The high-speed RSSI signal is filtered with one external capacitor connected from FILTER to VCC. The impedance at the FILTER pin is approximately 500Ω.

**The FILTER capacitor (CFILTER) must be connected to VCC for proper operation.**

### Input-Offset Correction

The limiting amplifier provides approximately 60dB of gain. An input DC offset of even 1mV reduces the power-detection circuit's accuracy and can cause the output to limit. A low-frequency feedback loop is integrated into the MAX3761/MAX3762 to remove input offset. DC coupling the inputs is not recommended, as this prevents the DC-offset-correction circuitry from functioning properly. Input offset is typically reduced to less than 100μV.

The capacitance between pins CZP and CZN, in parallel with a 10pF integrated capacitance, determines the offset-correction circuit's time constant. The input impedance between CZP and CZN is approximately 800kΩ.

The offset correction circuitry requires an average data-input duty cycle of 50%. If the input data has a different average duty cycle, the output will have increased pulse-width distortion.

# Low-Power, 622Mbps Limiting Amplifiers with Chatter-Free Power Detect for LANs

## Loss-of-Signal Indicator

The MAX3761/MAX3762 includes a loss-of-signal monitor with a programmable assert threshold and a hysteresis comparator. Internally, one comparator input is tied to the RSSI output signal and the other is tied to the threshold-voltage ( $V_{TH}$ ) pin, which provides a threshold for the LOS indication. An op amp referenced to an internal bandgap voltage (1.18V) is supplied for programming a supply-independent threshold voltage. Only two external resistors are needed to program the LOS assert level.  $V_{TH}$  is programmable from 1.18V to 2.4V, providing adequate coverage of the RSSI output's useful range. The op amp runs on very low supply current and provides an accurate, temperature-stable threshold, but can source only 20 $\mu$ A of current. For proper operation, resistor R1 (see the *Typical Operating Circuit*) should have a value  $\geq 100k\Omega$ . The input bias current at INV is  $< 50nA$ .

To ensure chatter-free LOS operation, the internal LOS comparator contains approximately 90mV of hysteresis. The RSSI signal output has a slope of 25mV/dB. Therefore, the overall circuit hysteresis is approximately 3.6dB [90mV / (25mV/dB)]. The LOS assert threshold is 45mV below  $V_{TH}$ , while the LOS deassert threshold is 45mV above  $V_{TH}$ .

## Output Buffers

The DISABLE pin can be used to disable the data-output buffer. When DISABLE is high, the differential output signal at OUT+ and OUT- is approximately zero. In the disabled state, the common-mode voltage of each output is approximately  $V_{CC} - 0.8V$ . Connecting



Figure 2. Loss-of-Signal Definitions

DISABLE to LOS+ implements a squelch function. When using the squelch function, the output signal is disabled whenever the input signal is too small to be reliably detected (as determined by the voltage at  $V_{TH}$ ). Use of the disable function is recommended at all times.

The data outputs (OUT+ and OUT-) are implemented with emitter followers that have output impedance of approximately 2 $\Omega$ . The MAX3762's PECL LOS outputs also are implemented with emitter followers that have output impedance of approximately 2 $\Omega$ .

The MAX3761 TTL LOS output buffers are open-collector transistors with 6k $\Omega$  internal pull-up resistors.

## Design Procedure

### Supply Voltage

The MAX3761/MAX3762 can be operated with a single +5V or -5V power supply.

### Programming the LOS Assert Level

First determine the receiver system's sensitivity in dBm either by estimating or from prototyping results. Estimate the total gain of the preamplifier and photodiode, then use Figure 3 to select resistor R2, placing the LOS assert 3dB to 4dB below the receiver sensitivity.

Alternatively, use the *Typical Operating Characteristics* to select the  $V_{TH}$  value needed for LOS assert, then program  $V_{TH}$  with the following relation:

$$V_{TH} = 1.18(1 + R2 / R1)$$

Select  $R1 \geq 100k\Omega$ .



Figure 3. Using TIA Gain and Photodiode Responsivity to Select LOS Programming Resistor



# Low-Power, 622Mbps Limiting Amplifiers with Chatter-Free Power Detect for LANs

## Capacitor Selection

A typical MAX3761/MAX3762 implementation requires four external capacitors. To select the capacitors, first determine the following parameters in the receiver system (see the *Applications Information* section for recommendations in 622Mbps ATM and Fibre Channel 1063Mbps systems):

- 1) The duration of the expected longest run of consecutive bits in the data stream. For example, 72 consecutive zeros in a 622Mbps data stream have a duration of 116ns.
- 2) The maximum allowable data-dependent jitter.
- 3) The desired power-detector integration time constant  $[1/(2\pi f_{INT})]$ .
- 4) The transimpedance amplifier's maximum peak-to-peak output voltage.

### Step 1. Select the Input AC-Coupling Capacitors ( $C_{IN}$ ).

When using a limiting preamplifier with a highpass frequency response, select  $C_{IN}$  to provide a low-frequency cutoff ( $f_C$ ) one decade lower than the preamplifier low-frequency cutoff. This causes nearly all data-dependent jitter (DDJ) to be generated in the preamplifier circuit. For example, if the preamplifier's low-frequency cutoff is 150kHz, then select  $C_{IN}$  to provide a 15kHz low-frequency cutoff.

Select  $C_{IN}$  with the following equation:

$$C_{IN} = \frac{1}{2\pi f_C 1950\Omega}$$

For differential input signals, use a capacitor equal to  $C_{IN}$  on both inputs ( $V_{IN+}$  and  $V_{IN-}$ ). For single-ended input signals, one capacitor should be tied to  $V_{IN+}$  and another should decouple  $V_{IN-}$  to ground.

When using a preamplifier without a highpass response, select  $C_{IN}$  to ensure that data-dependent jitter is acceptable. The following equation provides an estimate for  $C_{IN}$ :

$$C_{IN} \geq \frac{-t_L}{1950 \ln \left[ 1 - \frac{(DDJ)(BW)}{0.5} \right]}$$

where:  $t_L$  = duration of the longest run of consecutive bits with the same value (seconds); DDJ = maximum allowable data-dependent jitter, peak-to-peak (seconds); BW = typical system bandwidth, normally 0.6 to 1.0 times the data rate (hertz).

Regardless of which method is used to select  $C_{IN}$ , the maximum LOS assert time can be estimated from the

value of  $C_{IN}$ . The following equation estimates LOS time delay when the maximum-amplitude signal is instantaneously removed from the input, and when the FILTER time constant is much faster than the input time constant ( $C_{FILTER} < 0.4C_{IN}$ ):

$$t_{LOS\ ASSERT} = 1950C_{IN} \ln(V_{MAXp-p} / V_{ASSERTp-p})$$

where  $V_{MAXp-p}$  is the maximum output of the preamplifier, and  $V_{ASSERTp-p}$  is the input amplitude that causes LOS to assert. The equation describes the input capacitors' discharge time, from maximum input to the LOS threshold into the  $1950\Omega$ , single-ended input resistance.

### Step 2. Select the Offset-Correction Capacitor ( $C_{AZ}$ ).

To maintain stability, it is important to keep a one-decade separation between  $f_C$  and the low-frequency cutoff associated with the DC-offset-correction circuit ( $f_{OC}$ ).

The input impedance between CZP and CZN is approximately  $800k\Omega$  in parallel with 10pF. As a result, the low-frequency cutoff ( $f_{OC}$ ) associated with the DC-offset-correction loop is computed as follows:

$$f_{OC} = \frac{1}{2\pi 800k\Omega (C_{AZ} + 10pF)}$$

where  $C_{AZ}$  is an optional external capacitor between CZP and CZN.

If  $C_{IN}$  is known, then:

$$C_{AZ} \geq \frac{C_{IN}}{41} - 10pF$$

### Step 3. Select the Power-Detect Integration Capacitor ( $C_{FILTER}$ ).

For 622Mbps ATM applications, Maxim recommends a filter frequency of 3MHz, which requires  $C_{FILTER} = 100pF$ . The integration frequency can be selected lower to remove low-frequency noise, or to prevent unusual data sequences from asserting LOS.

$$C_{FILTER} = 1 / (2\pi 500f_{INT})$$

where  $f_{INT}$  is the integration frequency.



# Low-Power, 622Mbps Limiting Amplifiers with Chatter-Free Power Detect for LANs

MAX3761/MAX3762

## Applications Information

### Converting Average Optical Power to Signal Amplitude

Many of the MAX3761/MAX3762's specifications relate to input-signal amplitude. When working with fiber optic receivers, the input is usually expressed in terms of average optical power and extinction ratio. The relations given in Table 1 are helpful for converting optical power to input signal when designing with the MAX3761/MAX3762.

**Table 1. Optical-Power Relations\***

PARAMETER	SYMBOL	RELATION
Average Power	$P_{AVE}$	$P_{AVE} = (P_0 + P_1) / 2$
Extinction Ratio	$r_e$	$r_e = P_1 / P_0$
Optical Power of a "1"	$P_1$	$P_1 = 2P_{AVE} \frac{r_e}{r_e + 1}$
Optical Power of a "0"	$P_0$	$P_0 = 2P_{AVE} / (r_e + 1)$
Signal Amplitude	$P_{IN}$	$P_{IN} = P_1 - P_0 = 2P_{AVE} \frac{(r_e - 1)}{r_e + 1}$

\* Assuming a 50% average input data duty cycle (true for SONET/ATM data).

In an optical receiver, the input voltage to the limiting amplifier can be found by multiplying the relationship in Table 1 with the photodiode responsivity ( $\rho$ ) and transimpedance amplifier gain ( $G$ ).

### Optical Hysteresis

Power and hysteresis are often expressed in decibels. By definition, decibels are always  $10\log(\text{power})$ . At the inputs to the MAX3761/MAX3762 limiting amplifier, the power is  $V_{IN}^2/R$ . If a receiver's optical input power ( $x$ ) increases by a factor of two, and the preamplifier is linear, then the voltage input to the MAX3761/MAX3762 also increases by a factor of two.

The optical power change is  $10\log(2x/x) = 10\log(2) = +3\text{dB}$

At the MAX3761/MAX3762, the voltage change is:

$$10\log \frac{(2V_{IN})^2 / R}{V_{IN}^2 / R} = 10\log(2^2) = 20\log(2) = +6\text{dB}$$



Figure 4. Optical-Power Relations

In an optical receiver the dB change at the MAX3761/MAX3762 will always equal 2x the optical dB change.

The MAX3761/MAX3762's typical voltage hysteresis is 3.6dB. This provides an optical hysteresis of 1.8dB.

### Input Sensitivity

The receiver's gain sensitivity defines the smallest signal input that results in fully limited PECL-compatible data outputs. Smaller signals result in nonlimited outputs. The MAX3761/MAX3762's input sensitivity ( $S_{GAIN}$ ) is 4mVp-p:

$$S_{GAIN} = 4\text{mV}$$

Optical gain sensitivity (in dBm) is:

$$10\log \left[ \frac{S_{GAIN}}{2G\rho} \times \frac{r_e + 1}{r_e - 1} \times 1000 \right]$$

In a receiver with  $G = 6\text{k}\Omega$ ,  $r_e = 10$ , and  $\rho = 0.8\text{A/W}$ , gain sensitivity is 510nW, or -32.9dBm.

### 622Mbps ATM Component Selection

As an example, a preamplifier with a 150kHz low-frequency cutoff and a 950mVp-p maximum output has the best performance with the following selections:

$C_{IN} = 5.6\text{nF}$ , so that  $f_C = 15\text{kHz}$  (one decade below the 150kHz cutoff)

$CAZ = 150\text{pF}$ , so that  $f_{OC} < 1.5\text{kHz}$  (one decade below  $f_C$ )

$C_{FILTER} = 100\text{pF}$ , so that the integration frequency equals 3MHz.

These selections should provide data-dependent jitter less than 110ps p-p when the input consists of PRBS data with no more than 72 consecutive bits.

## Low-Power, 622Mbps Limiting Amplifiers with Chatter-Free Power Detect for LANs

For LOS assert at -35dBm, select  $R1 = 100k\Omega$  and  $R2 = 22k\Omega$ , which programs the LOS assert at input  $\approx 3mV$ . With this selection, LOS assert time will typically be less than  $85\mu s$ .

### Fibre Channel Component Selection

In Fibre Channel applications, the desired LOS assert time is typically  $25\mu s$  maximum, and data-dependent jitter is reduced by 8B10B coding techniques. The following are recommended in a Fibre Channel system where preamp gain is  $2000V/W$ , LOS assert is set for -24dBm (13mV MAX3761/MAX3762 input), and the maximum input to the MAX3761/MAX3762 is 1Vp-p:

$C_{IN} = 3.3nF$  (to provide LOS assert in  $25\mu s$ )

$C_{AZ} = 82pF$  (to provide  $f_{OC} = 1/10 f_C$  for stability)

$C_{FILTER} = 100pF$  (for a 3MHz integration constant)

$R1 = 100k\Omega$ ,  $R2 = 50k\Omega$  (to set LOS assert at -24dBm)

### PECL Terminations

The standard PECL termination ( $50\Omega$  to  $V_{CC} - 2V$ ) is recommended for best performance and output characteristics. The data outputs operate at high speed, and should always drive transmission lines with  $50\Omega$  to  $75\Omega$  terminations. Balanced termination is recommended for all outputs.

Figure 5 shows an alternative method for terminating the data outputs. The technique provides approximately 8mA DC bias current, with a  $50\Omega$  AC load, for the output termination. This technique is useful for viewing the output on an oscilloscope or changing the PECL reference voltage.

The MAX3762's PECL LOS outputs are relatively slow and do not need  $50\Omega$  terminations (although they are capable of driving them). To reduce power, the MAX3762's LOS outputs can be terminated with  $500\Omega$ . Figure 6 shows a typical operating circuit for the MAX3762.

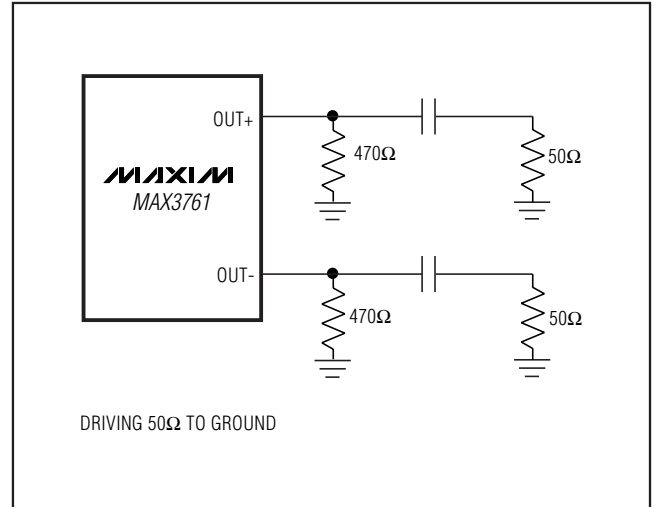


Figure 5. Alternative PECL Termination

### Wire Bonding

For high current density and reliable operation, the MAX3761/MAX3762 use gold metalization. Make connections to the dice with gold wire only, and use ball-bonding techniques (wedge bonding is not recommended). Die-pad size is 4 mils square, with a 6 mil pitch. Die thickness is 12 mils (0.3mm).

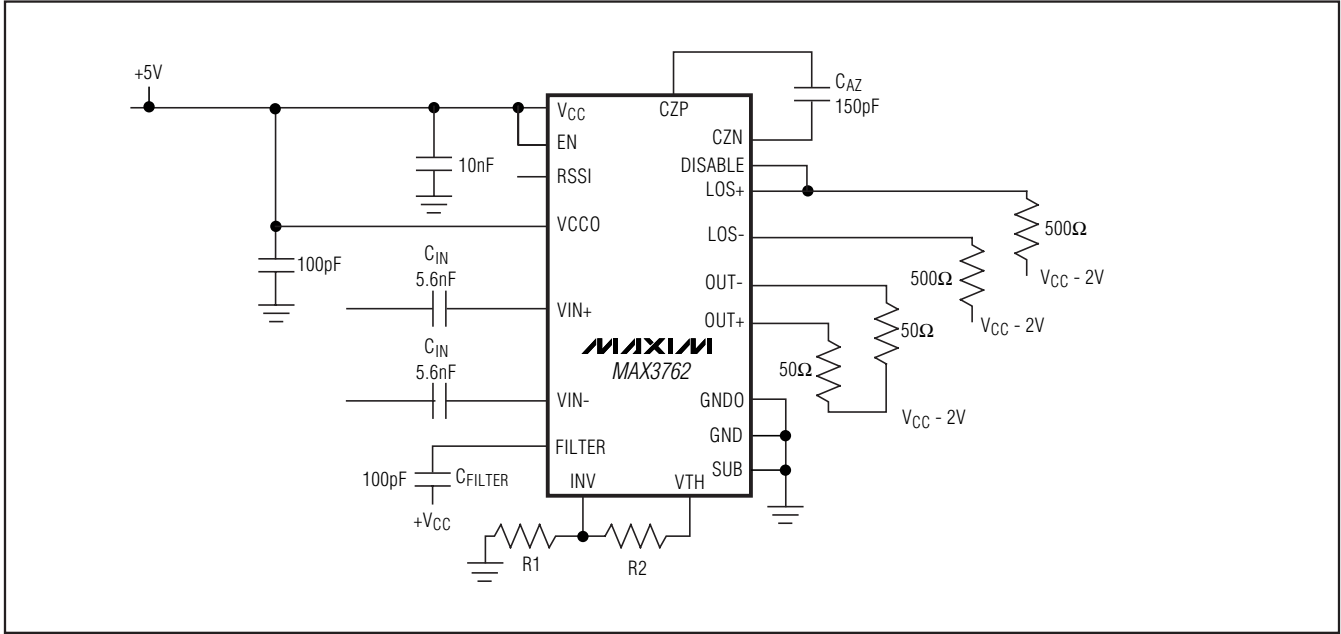
### Layout Techniques

The MAX3761/MAX3762 are high-frequency, high-bandwidth circuits. To ensure stability, use good high-frequency layout techniques. Filter voltage supplies, and keep ground connections short. Use multiple vias where possible. Use controlled-impedance transmission lines to connect the MAX3761/MAX3762 data outputs to other circuits.

# Low-Power, 622Mbps Limiting Amplifiers with Chatter-Free Power Detect for LANs

## Typical Operating Circuits (continued)

MAX3761/MAX3762

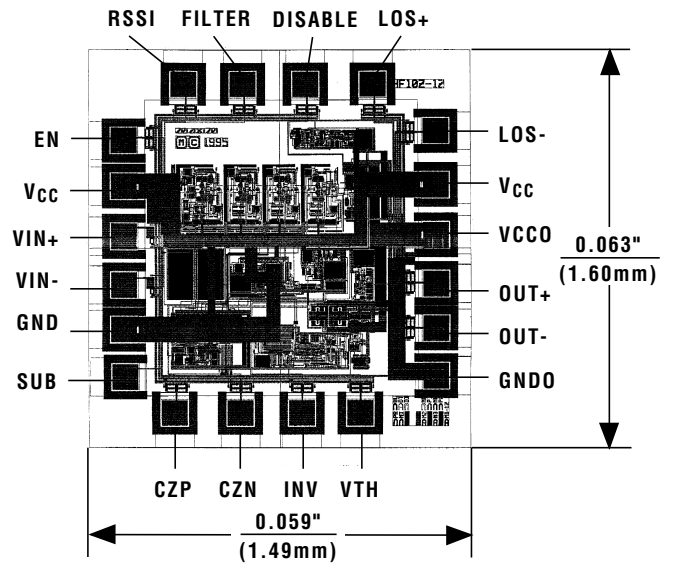


### Package Information

For the latest package outline information and land patterns, go to [www.maxim-ic.com/packages](http://www.maxim-ic.com/packages).

PACKAGE TYPE	PACKAGE CODE	DOCUMENT NO.
20 QSOP	E20+1	<a href="#">21-0055</a>

### Chip Topography



TRANSISTOR COUNT: 961  
SUBSTRATE CONNECTED TO SUB

# Low-Power, 622Mbps Limiting Amplifiers with Chatter-Free Power Detect for LANs

## Revision History

REVISION NUMBER	REVISION DATE	DESCRIPTION	PAGES CHANGED
0	6/96	Initial release.	—
1	10/96	Changed the TTL output voltage to improve yield at cold test.	2
2	8/01	In the <i>Absolute Maximum Ratings</i> section, corrected a continuous power dissipation error.	2
3	7/04	Added the lead-free package information to the <i>Ordering Information</i> table.	1
4	8/08	Updated the <i>Ordering Information</i> table to show current package types offered.	1

Maxim cannot assume responsibility for use of any circuitry other than circuitry entirely embodied in a Maxim product. No circuit patent licenses are implied. Maxim reserves the right to change the circuitry and specifications without notice at any time.

12 **Maxim Integrated Products, 120 San Gabriel Drive, Sunnyvale, CA 94086 408-737-7600**