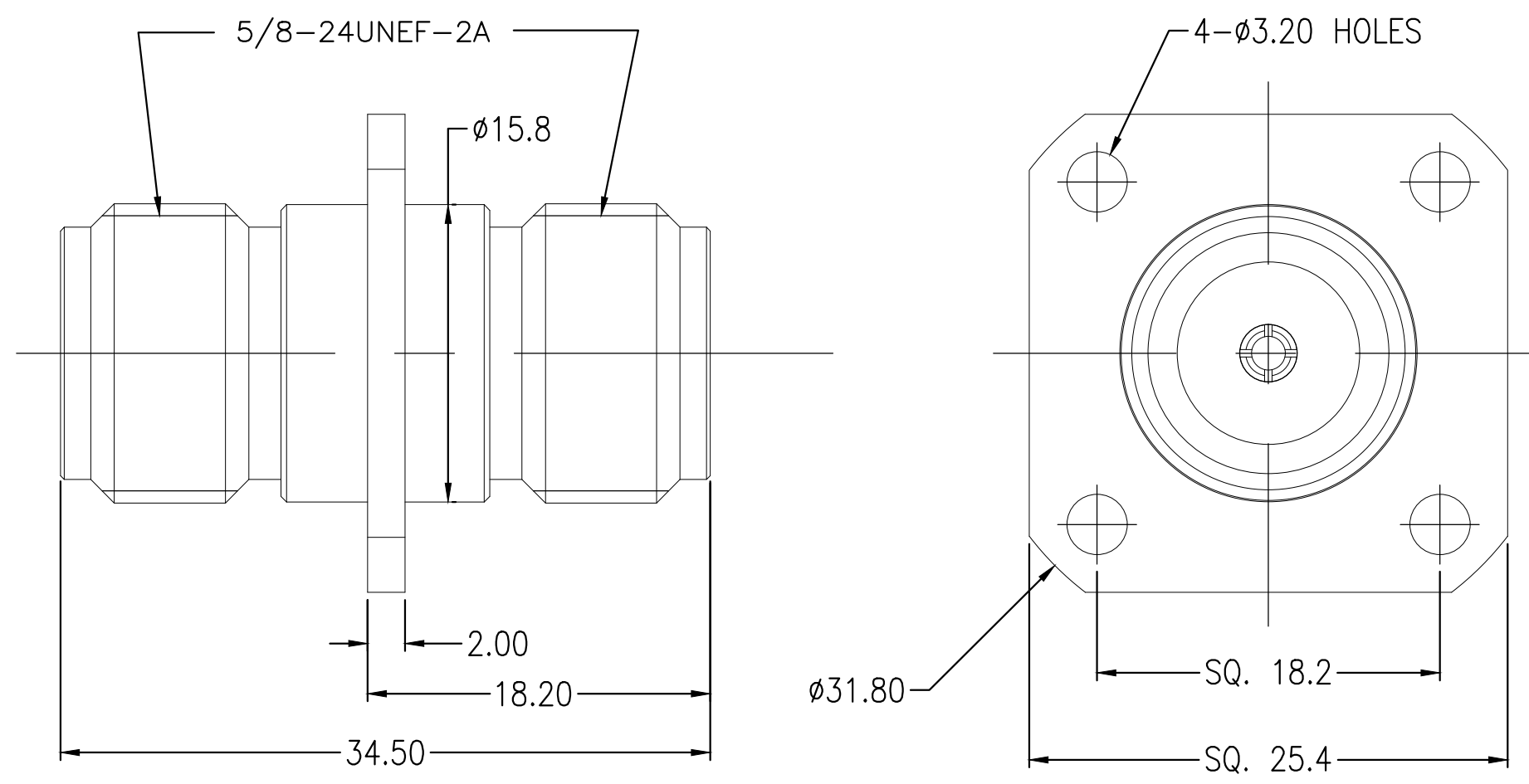


THIS DRAWING IS UNPUBLISHED. RELEASED FOR PUBLICATION AUGUST ,2006.
 © COPYRIGHT 2006 By - ALL RIGHTS RESERVED.

REVISIONS				
P	LTR	DESCRIPTION	DATE	APVD
	A	RELEASE	13JUN2018	ED RS

- NOTES:
- 1 PACK IN ACCORDANCE WITH TE SPEC 107-3275
 - 2 Au PLATING: 50u"
 - 3 Passivation
 - 4 ALL DIMENSIONS ARE NOMINAL FOR REFERENCE ONLY UNLESS OTHERWISE STATED



ELECTRICAL	MECHANICAL	ENVIRONMENTAL
Frequency Range (GHz) DC to 18GHz	Recommended Coupling Torque N/A	Temperature Rating -40°C TO +85°C
Voltage Rating (Peak) @ Sea Level 500 V RMS	Mating cycles 500 cycles	
Insulation Resistance (MIN.) 5000 M ohms	Center contact retention force 6 lbs MIN	
Contact Resistance (Milliohms MAX) Center Contact 1.0 Outer Contact 0.4	VSWR: 1.2 Max @ DC-- 18 GHz	
Dielectric Withstand Voltage: 1000 V RMS Max	RF leakage: N/A	
Insertion Loss : 0.1*√F(GHz) dB	3rd Intermodulation: N/A	

THIS DRAWING IS A CONTROLLED DOCUMENT.

DIMENSIONS: mm	TOLERANCES UNLESS OTHERWISE SPECIFIED:
	0 PLC ± - 1 PLC ± 0.2 2 PLC ± 0.1 3 PLC ± - 4 PLC ± - ANGLES ± -
MATERIAL SEE TABLE	FINISH -

DWN	ED	13JUN 2018
CHK	BW	13JUN 2018
APVD	RS	13JUN 2018
PRODUCT SPEC	-	
APPLICATION SPEC	-	
WEIGHT	0.000000	
CUSTOMER DRAWING		

QUANTITY PER ASSY	PARTS LIST
1	PEI INSULATION 3
1	BECU CENTER CONTACT 2
1	STEEL BODY 1
-1	MATERIAL DESCRIPTION ITEM



NAME ADAPTER N Female to N Female 4 Hole Flange-Mounting Hole A05			
SIZE	CAGE CODE	DRAWING NO	RESTRICTED TO
A3	00779	C-2081563	-
SCALE 3:1		SHEET 1 OF 1	REV A