

N Male Plug to N Female Jack - Flange Mount

Model Number

ADT-2694-MF-NNN-02

SPECIFICATIONS

Frequency: DC - 18.0 GHz

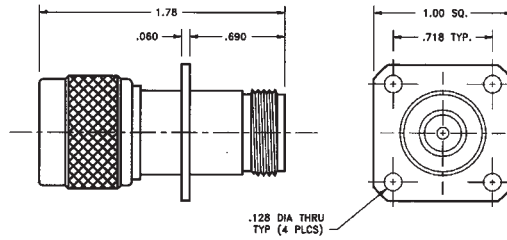
VSWR: 1.05 @ DC - 4.0 GHz

1.06 @ 4.0 - 8.0 GHz

1.10 @ 8.0 - 18.0 GHz

Impedance: 50 Ohms

Finish: Passivated Stainless Steel



Flange Mount 7mm to 7mm

Model Number

ADT-2667-00-7MM-02

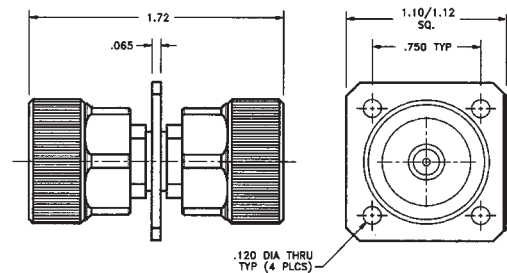
SPECIFICATIONS

Frequency: DC - 18.0 GHz

VSWR: 1.025 + .0025 f (GHz)

Impedance: 50 Ohms

Finish: Passivated Stainless Steel



TNC Female Jack to SMA Female Jack - Rear Mount Bulkhead

Model Number

ADT-2837-TF-SMF-02

SPECIFICATIONS

Frequency: DC - 18.0 GHz

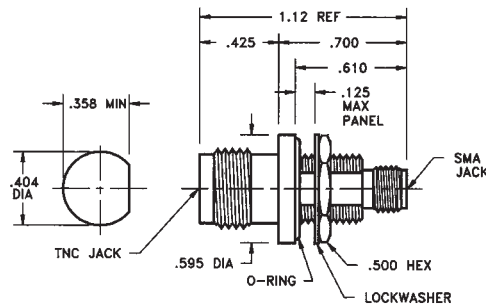
VSWR: 1.10 @ DC - 4.0 GHz

1.15 @ 4.0 - 8.0 GHz

1.25 @ 8.0 - 18.0 GHz

Impedance: 50 Ohms

Finish: Passivated Stainless Steel



BNC Female Jack to SMA Female Jack - Rear Mount Bulkhead

Model Number

ADT-2838-BF-SMF-02

SPECIFICATIONS

Frequency: DC - 4.0 GHz

VSWR: 1.15 @ DC - 4.0 GHz

Impedance: 50 Ohms

Finish: Passivated Stainless Steel

