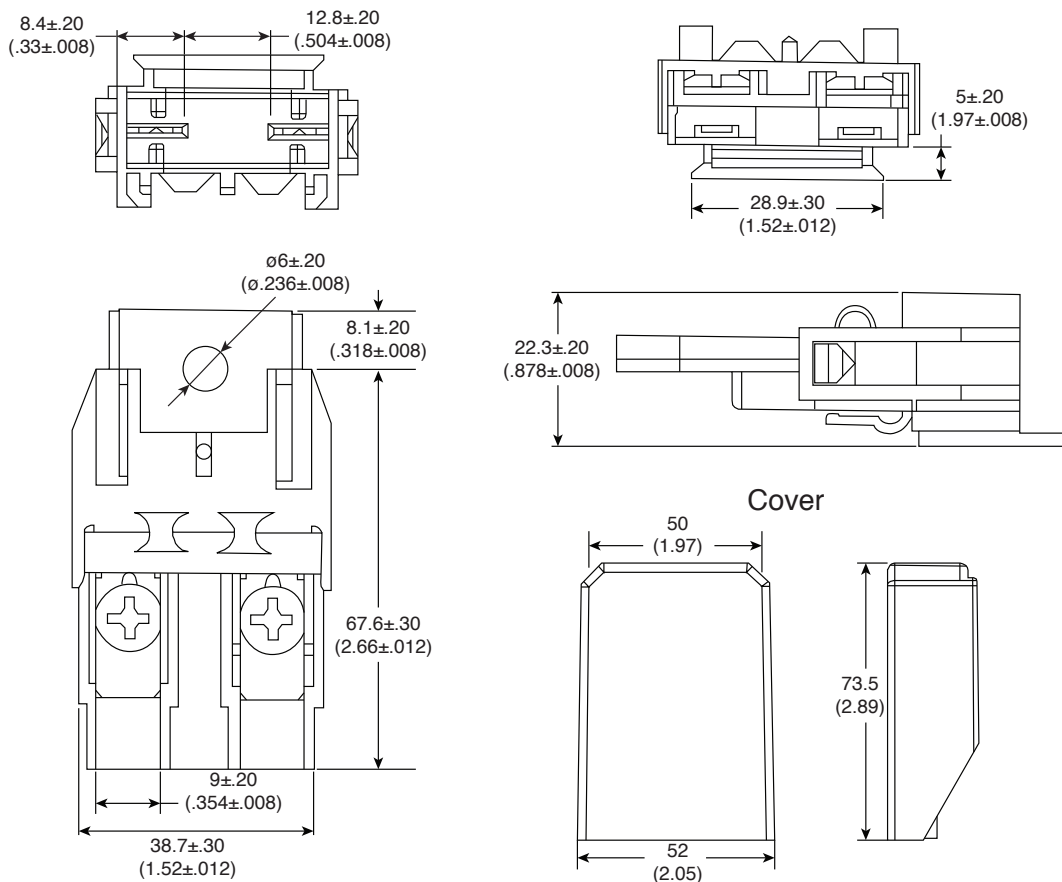


DIMENSIONS: mm (in.)



SPECIFICATIONS	
Rating:	60A max 12/24/32 VDC
Insulation Resistance:	500VDC 100MΩ Min.
Dielectric Strength:	1000Vac 1 Min.
Operating Temperature:	-25°~85°C
Fuse Type:	Maxi Fuse
RoHS Compliant	

MAXI Fuse Rating	
Fuse Rating (Colors)	Wire (AWG)
20A (Yellow)	12AWG
30A (Green)	10AWG
40A (Orange)	8AWG
50A (Red)	8AWG
60A (Blue)	6AWG