



**IJ5H SERIES**

**(4.00 mm) .1575"**

# 50 Ω HYBRID RF CABLE ASSEMBLY

**SPECIFICATIONS**

For complete specifications and recommended PCB layouts see [www.samtec.com?IJ5H](http://www.samtec.com?IJ5H)

- Insulator Material:** Black LCP
- Contact Material:** Copper Alloy
- Pin Material:** Copper Alloy
- Dielectric Material:** Black LCP
- Plating:** Au over 50 μ" (1.27 μm) Ni
- Operating Temp Range:** -40 °C to +90 °C
- RoHS Compliant:** Yes

- Cable (-2):**
- Conductor Size:** 26 AWG, (0.51 mm) .020" dia.
- Conductor Material:** Silver and Copper Plated Steel Wire
- Insulator Diameter:** (1.52 mm) .060"
- Insulator Material:** PTFE
- Shield Material:** Silver Plated Copper Wire
- Jacket Material:** FEP
- Jacket Diameter:** (2.54 mm) .100"
- Bend Radius:** 12.7 mm
- Impedance:** 50 Ω
- Current Rating:** 5A DC
- RoHS Compliant:** Yes

**Mates with:**  
IP5, SMA, MCX, MMCX, SMB5

Low-cost isolated transmission line system

RG 316 Cable

1, 2, 4, 6 or 8 Positions

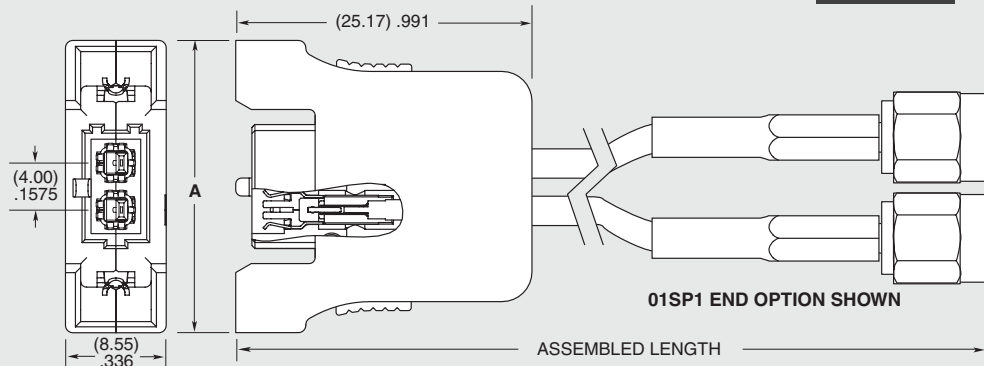
Positive latching

Choice of traditional RF end options

**EDGE RATE**  
CONTACT

IJ5H	NO. OF POSITIONS	ASSEMBLED LENGTH	END 1 PLATING	CABLE TYPE	END 2 OPTION										
	-01, -02, -04, -06, -08	- "XXXX" = Assembled Length in millimeters -0300 to -1000 (1000 mm) 39.40" maximum	-S = 30 μ" (0.76 μm) Gold on contact	-2 = RG 316 cable	<table border="0"> <tr> <td>All Gold</td> <td>Gold/Nickel combination</td> </tr> <tr> <td>-01SP1 = SMA Straight Plug</td> <td>-02SP2 = MCX Straight Plug</td> </tr> <tr> <td>-02SP1 = MCX Straight Plug</td> <td>-03SP2 = MMCX Straight Plug</td> </tr> <tr> <td>-03SP1 = MMCX Straight Plug</td> <td>-07SP2 = SMB Straight Plug</td> </tr> <tr> <td>-07SP1 = SMB Straight Plug</td> <td></td> </tr> </table>	All Gold	Gold/Nickel combination	-01SP1 = SMA Straight Plug	-02SP2 = MCX Straight Plug	-02SP1 = MCX Straight Plug	-03SP2 = MMCX Straight Plug	-03SP1 = MMCX Straight Plug	-07SP2 = SMB Straight Plug	-07SP1 = SMB Straight Plug	
All Gold	Gold/Nickel combination														
-01SP1 = SMA Straight Plug	-02SP2 = MCX Straight Plug														
-02SP1 = MCX Straight Plug	-03SP2 = MMCX Straight Plug														
-03SP1 = MMCX Straight Plug	-07SP2 = SMB Straight Plug														
-07SP1 = SMB Straight Plug															

NO. OF POSITIONS	A
-01	(20.87) .822
-02	(24.87) .979
-04	(32.87) 1.294
-06	(40.87) 1.609
-08	(48.87) 1.924



**Note:**  
This Series is non-standard, non-returnable.

Due to technical progress, all designs, specifications and components are subject to change without notice.

[WWW.SAMTEC.COM](http://WWW.SAMTEC.COM)

All parts within this catalog are built to Samtec's specifications. Customer specific requirements must be approved by Samtec and identified in a Samtec customer-specific drawing to apply.