

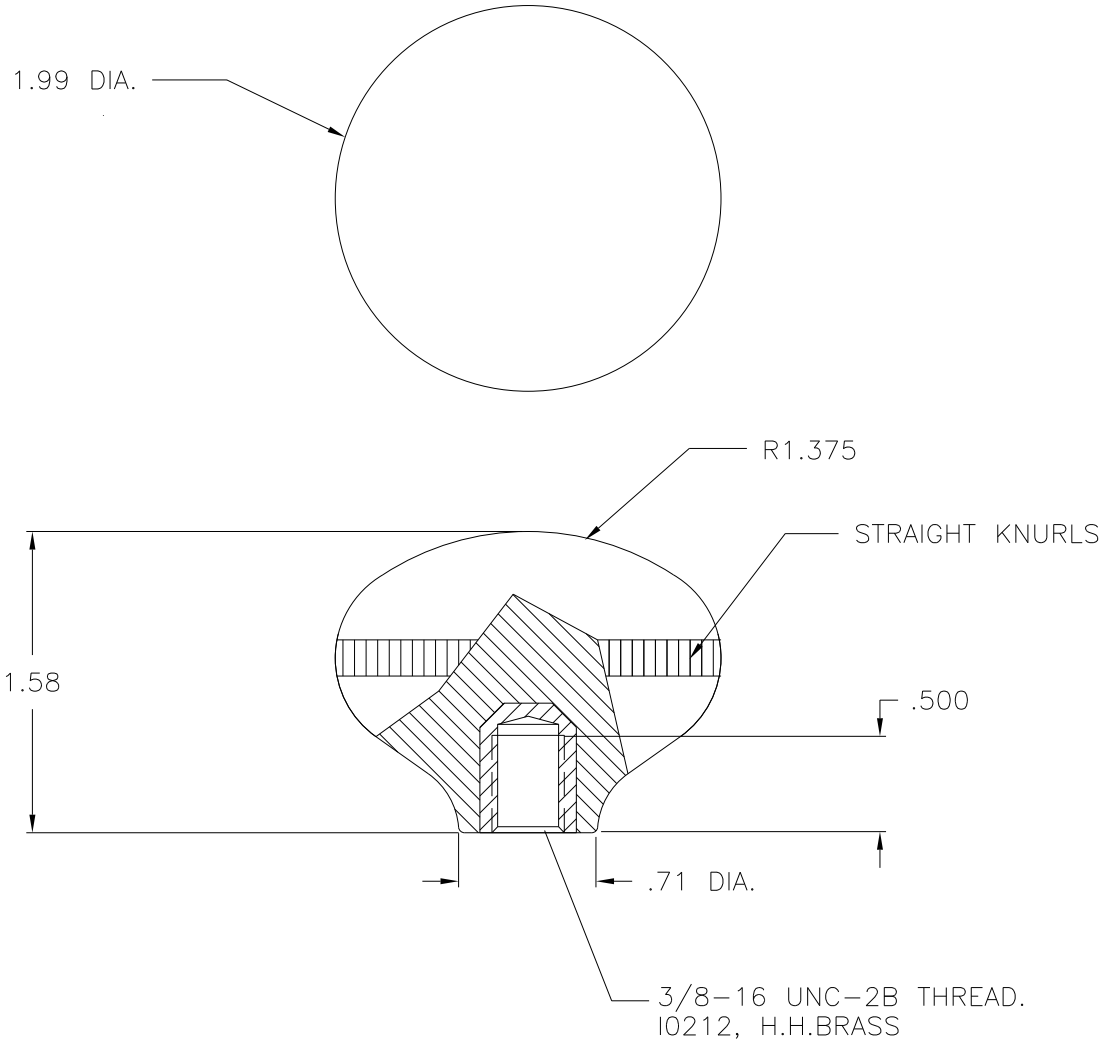
PART NAME: KNOB SCALE: 1:1 DATE: 12/6/84 DR. BY HD

THIS DRAWING IS THE PROPERTY OF DAVIES MOLDING COMPANY, IS SUBMITTED SOLELY AS A DESIGN OR ENGINEERING PROJECT. WE ACCEPT NO RESPONSIBILITY WHATSOEVER FOR THE PRACTICAL APPLICATION OF THE PIECES MADE TO THIS DESIGN.



DESIGNERS & MANUFACTURERS OF KNOBS, HANDLES, CASES & CUSTOM PLASTIC COMPONENTS

P/N	0065DU
M NO.	0065
CAVITY	0065
PLUNGER	0065
PIN	0065-U
INSERT	I0212



MATERIAL: G.P. PHENOLIC (B11)
COLOR : BLACK

TOLERANCES: UNLESS OTHERWISE SPECIFIED	DO NOT SCALE DRAWING			
DECIMALS: X.XXX ± .005 X.XX ± .015	MM: X.XX ± 0.15MM X.X ± 0.4MM	-	ADDED TOL.BLOCK	HD 11/5/96
FRACTIONS ± 1/64	ANG. ± 1°	-	CAD/REDRAWN	HD 9/1/93
CHANGES				