



Mallory Sonalert Products, Inc.

Part #: **FL1M-8SJ-2**
8mm Panel Light

Sales Outline Drawing

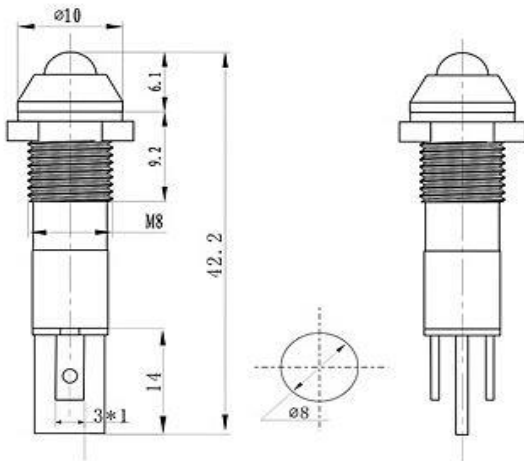
Revision: **A**

Specifications:

Panel Hole	8 mm
LED Color Available	Red, Green, Blue, Yellow, or White
Lens Color	Same as LED
Rated Voltage Available	See table below
Max Current Draw	20 mA
Storage & Operating Temperature	-20 °C to +85 °C
Ingress Protection Rating	IP65
LED Life	70,000 hours
Weight (Typical)	4.9 g
Housing Material	Nickel-plated Brass, PA66, and Polycarbonate
Termination Type	Flat Blades Quick-Connect Terminal
Terminal Dimensions	2.8mm x 0.6mm x 8mm
Max Nut Torque	13 ft-lbs (18 Nm)
Panel Thickness	0.04-0.24" (1-6 mm)
Hardware Kit	LM8-FSQ8-MHDP8

RoHS Compliant

Dimensions (mm):



Part Number:

FL1M-8SJ-2-X#V

B=Blue
 G=Green
 R=Red
 Y=Yellow
 W=White

Rated Voltage

Length for reference only.

	Light Intensity	Dominant Wavelength	Viewing Angle
Red	1000 -1500 mcd	622 nm	180°
Green	8000 -10000 mcd	522 nm	180°
Yellow	1000 -1500 mcd	590 nm	180°
Blue	2000 - 3000 mcd	464 nm	180°

Rated Voltage	2 VDC	3 VDC	6 VDC	12 VDC	24 VDC	48 VDC	110 VDC	220 VDC	380 VDC
Red	1.8-2.2V	2.7-3.3V	5.4-6.6V	10.8-13.2V	21.6-26.4V	43.2-52.8V	99-121V	198-242V	342-418V
Green	N/A	3-3.2V	5.4-6.6V	10.8-13.2V	21.6-26.4V	43.2-52.8V	99-121V	198-242V	342-418V
Blue	N/A	3.12-3.2V	5.4-6.6V	10.8-13.2V	21.6-26.4V	43.2-52.8V	99-121V	198-242V	342-418V
Yellow	2-2.2V	2.7-3.3V	5.4-6.6V	10.8-13.2V	21.6-26.4V	43.2-52.8V	99-121V	198-242V	342-418V
White	N/A	3-3.2V	5.4-6.6V	10.8-13.2V	21.6-26.4V	43.2-52.8V	99-121V	198-242V	342-418V