

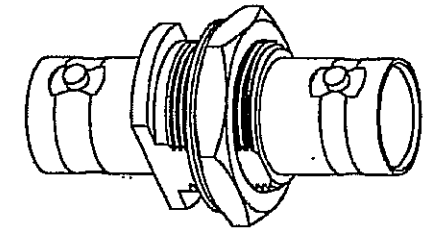
NOTES: FINISH (PLATING THICKNESS IN MICRO-INCHES)

1. MATERIALS AND FINISHES:
 BODY - BRASS, NICKEL-PLATING
 CONTACT - BRASS, GOLD PLATING
 INSULATOR - DELRIN
2. ELECTRICAL:
 A. IMPEDANCE: 75 OHM
 B. DIELECTRIC WITHSTANDING VOLTAGE: 1500 VRMS, MIN.
3. MECHANICAL:
 A. DURABILITY: 500 CYCLES MIN.
 B. TEMPERATURE RANGE: -65° C TO +165° C
4. MAX. PANEL THICKNESS=5.5mm

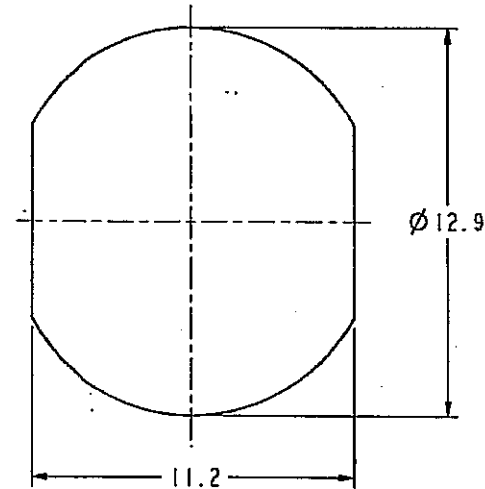
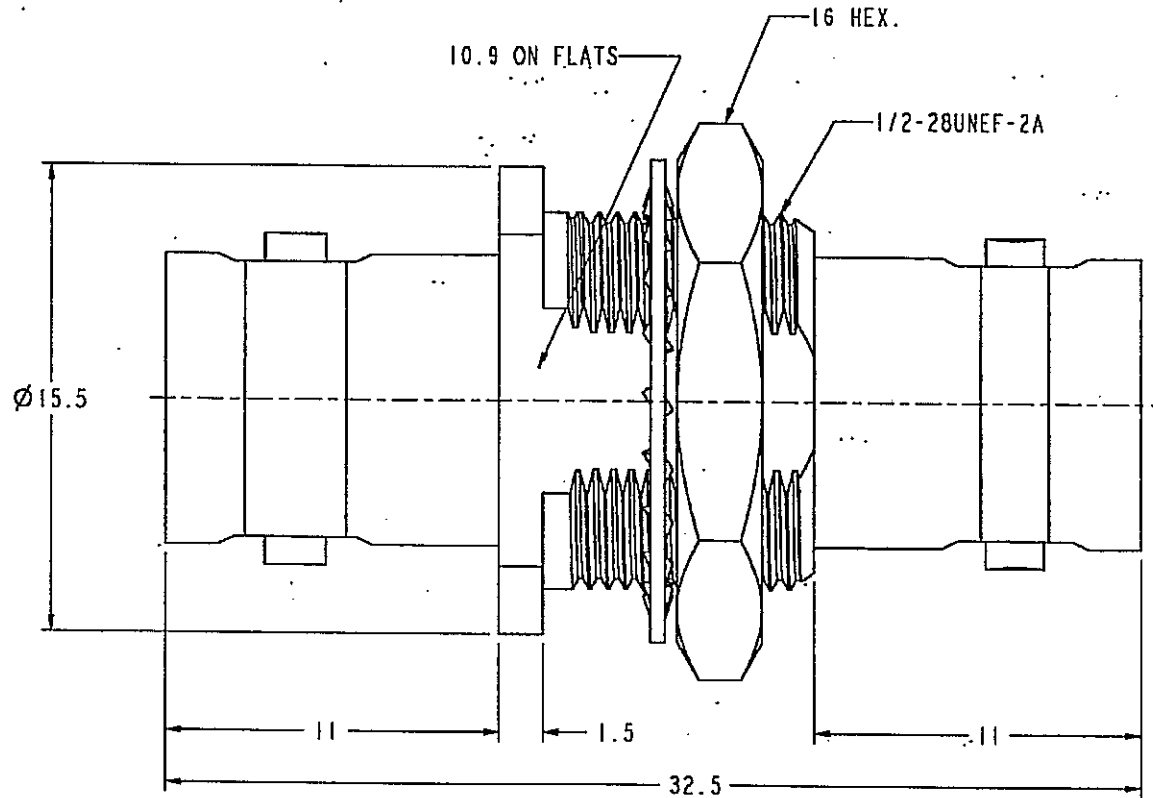
THIRD ANGLE PROJ.

REVISIONS

REV	DESCRIPTION	DATE	ECO	APPR
A	RELEASE TO MFG.	02-Aug-07	46699	SX



SCALE 2.000



RECOMMENDED MOUNTING HOLE

CUSTOMER OUTLINE DRAWING

ALL OTHER SHEETS ARE FOR INTERNAL USE ONLY

UNLESS OTHERWISE SPECIFIED, DIMENSIONS ARE METRIC AND TOLERANCES ARE:
 0.5 - 6mm ± 0.1mm
 6 - 30mm ± 0.2mm
 30 - 120mm ± 0.3mm
 ANGLES ± 1°

NOTICE - These drawings, specifications, or other data (1) are, and remain the property of Amphenol Corp. (2) must be returned upon request; and (3) are confidential and not to be disclosed to any person other than those to whom they are given by Amphenol Corp. The finishing of these drawings, specifications, or other data by Amphenol Corp., or to any other person in any manner licensing, granting rights to permitting such holder or any other person to manufacture, use or sell any product, process or design, patented or otherwise, that may in any way be related to or disclosed by said drawings, specifications, or other data.

MATERIAL	DRAWN	DATE	TITLE BNC 75 OHM DOUBLE FLAT FEMALE TO FEMALE BULKHEAD ADAPTOR		Amphenol RF Danbury CT USA, Tainan, Taiwan, Shenzhen, China www.amphenolrf.com	
	S.XIE	02-Aug-07				
REFERENCE	ENGINEER	DATE	SCALE: 5.0:1.0		SHEET 2 OF 2	
	<i>EAM</i>	02-Aug-07				
FINISH	APPROVED	DATE	DWG SIZE		CODE 10	
	<i>EAM</i>	02-Aug-07				
	CAD FILE		74868		PART NO. 31-220N-75DD	
			I:\BNC\B7471B1-005-ND3G-75		DRAWING NO. B7471B1-005-ND3G-75	
					ITEM NO. 017471AAP00ND7F	