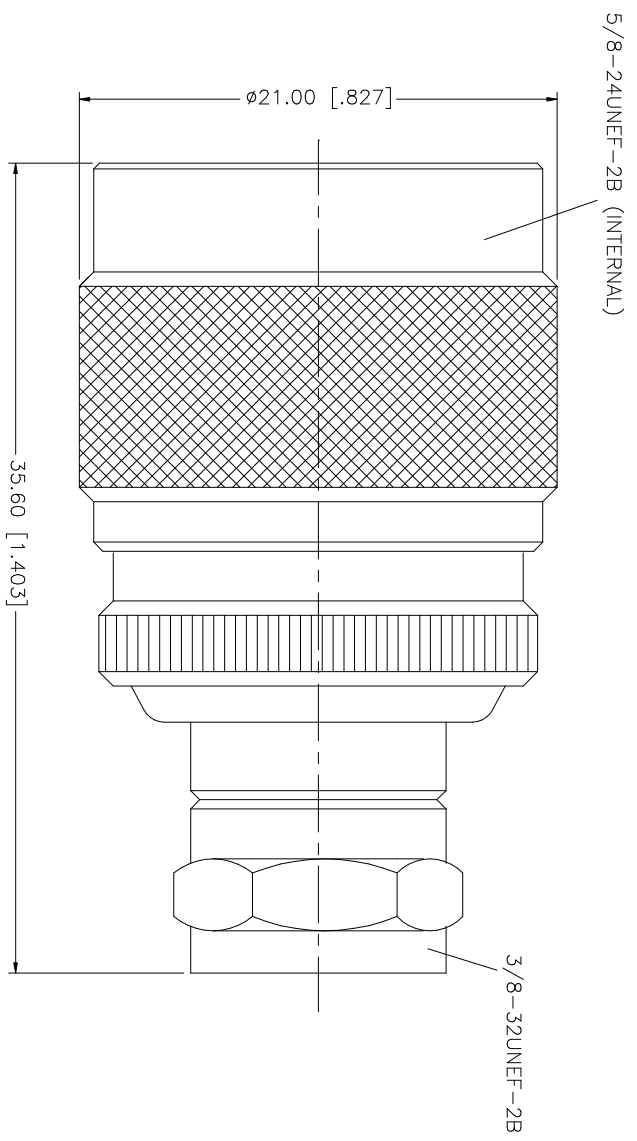


REV.	DATE	DESCRIPTION
A	09/25/03	MODIFY BODY LAYOUT



NO.	DESCRIPTION	MATERIAL	FINISH	QTY	UNLESS OTHERWISE SPECIFIED DIMENSIONS ARE IN INCHES AND FOR CUSTOMER REFERENCE ONLY. TOLERANCES FOR MILLING ARE:	UNLESS OTHERWISE SPECIFIED DIMENSIONS ARE IN MILLIMETERS ARE:	UNLESS OTHERWISE SPECIFIED DIMENSIONS FOR INCHES ARE:	UNLESS OTHERWISE SPECIFIED DIMENSIONS FOR MILLIMETERS ARE:	APPROVALS	DATE	PART DESCRIPTION			
8											<p style="text-align: center;">Amphenol Connex</p> <p style="text-align: center;">PART DESCRIPTION</p> <p style="text-align: center;">N 50ohm MALE TO F 75ohm MALE ADAPTER</p>			
7														
6														
5														
4														
3	CONTACT PIN	BRASS	GOLD	1										
2	INSULATOR	TEFLON	NATURAL	1										
1	BODY	BRASS	NICKEL	1										
DESCRIPTION					DO NOT SCALE DRAWING				CAD FILE		DWG. NO.	REV	SIZE	SCALE
									C:/242/242157.DWG		242157.DWG	A	A	NA