

10135262 - 10X LF

LEAD-FREE DESIGNATION
ONLY WITH APPLICABLE
PLATING CODES

SEE NOTE 2

MODULE
DESCRIPTION

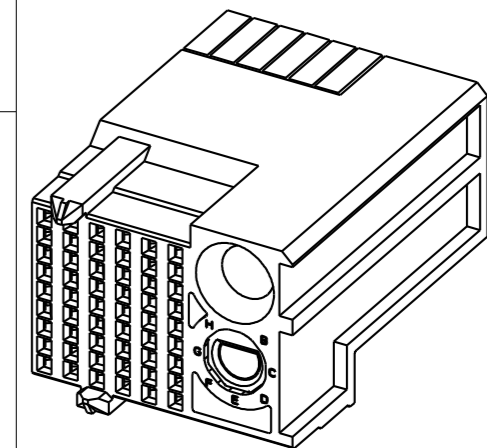
LETTER DESIGNATION REPRESENTED IN DASH NUMBER

BASE
MODULE

RIGHT
POLARIZING
GUIDANCE
MODULE
(SEE SHEET 3)

NO KEY
NO GUIDE PIN

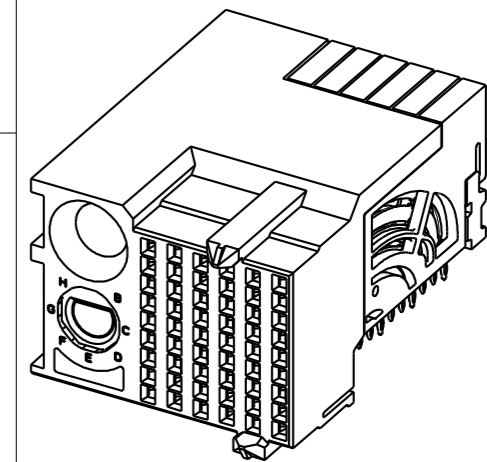
N	J (NO KEY)	A	B	C	D	E	F	G	H



LEFT
POLARIZING
GUIDANCE
MODULE
(SEE SHEET 2)

NO KEY
NO GUIDE PIN

Z	Y (NO KEY)	P	Q	R	S	T	U	V	W

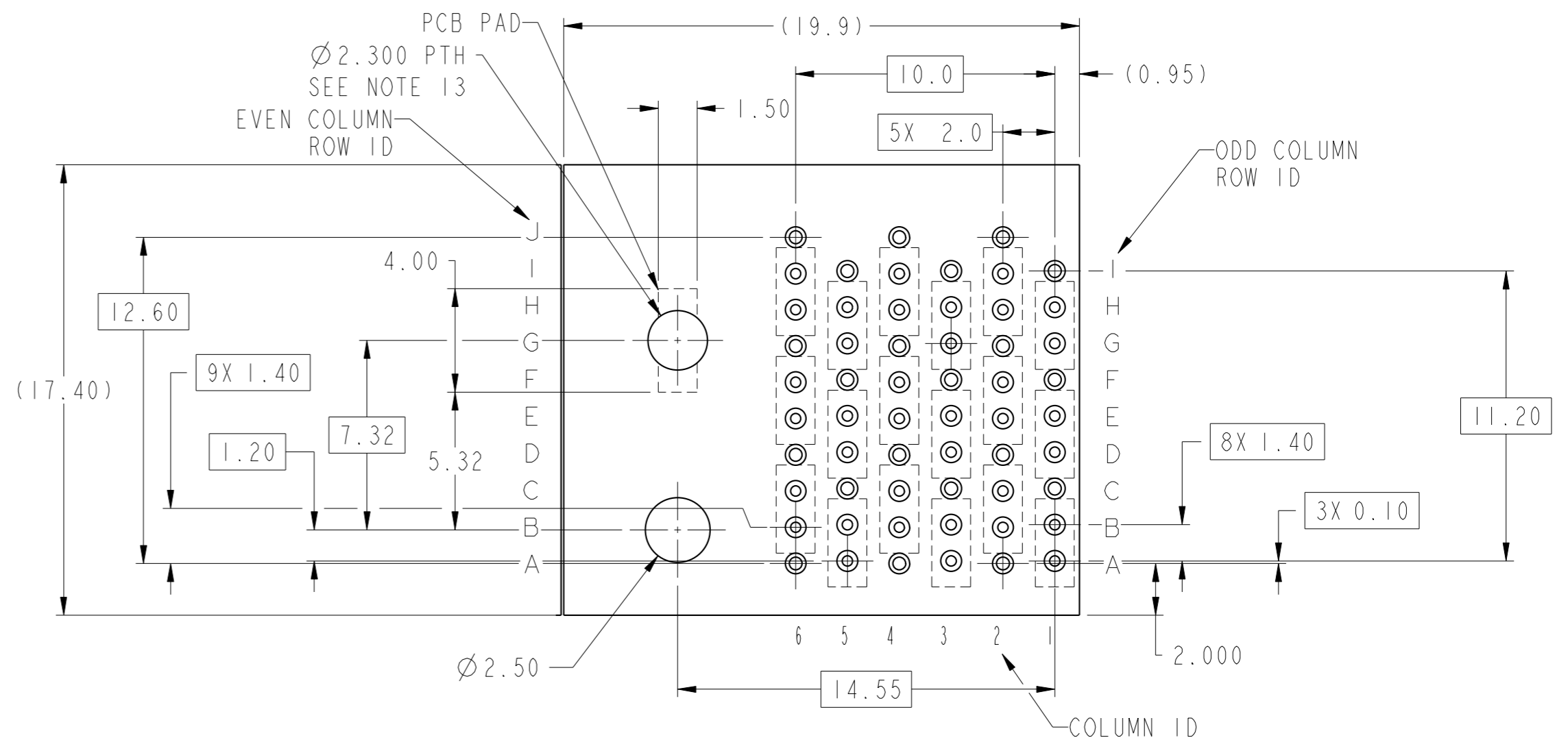
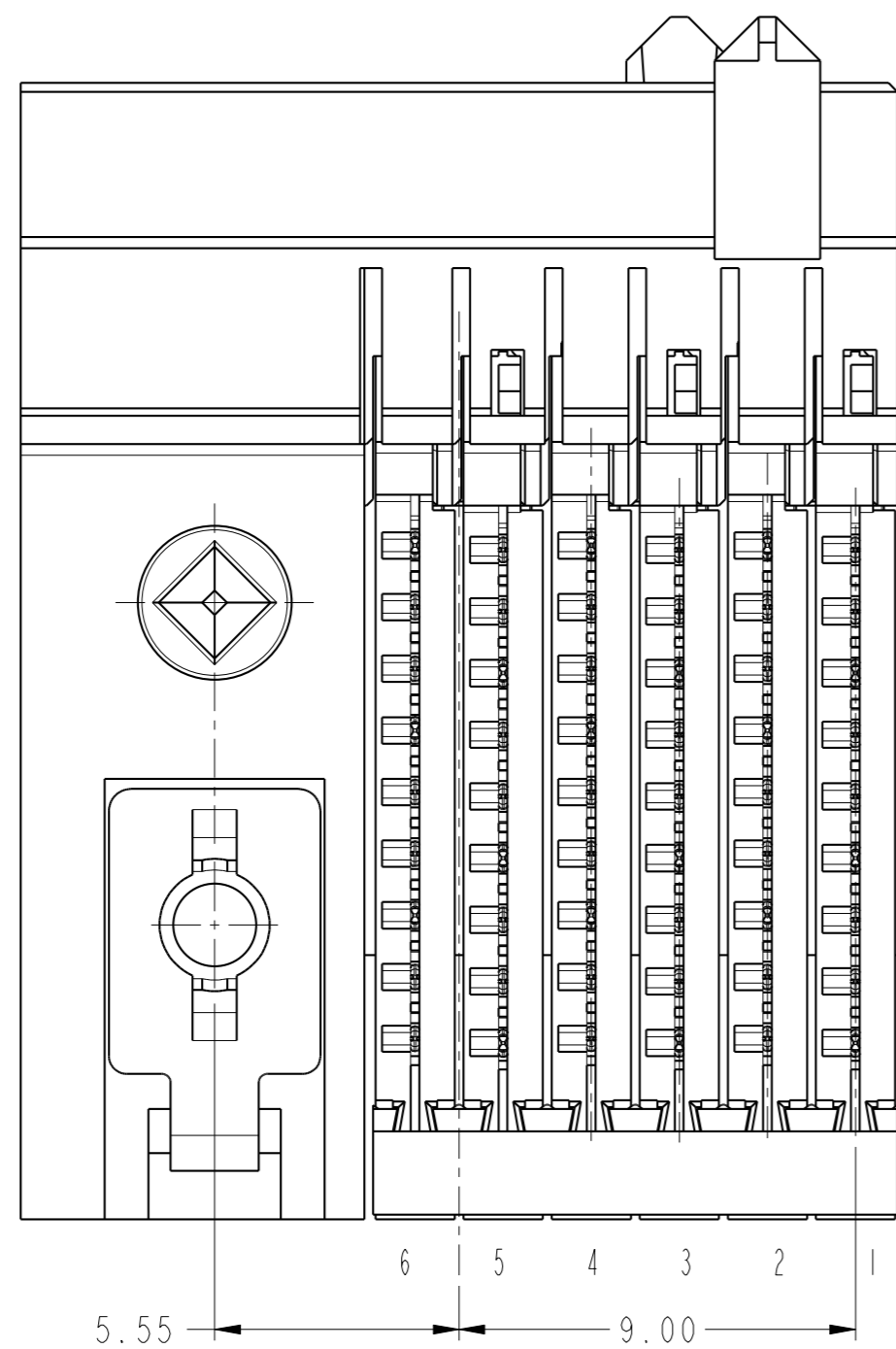
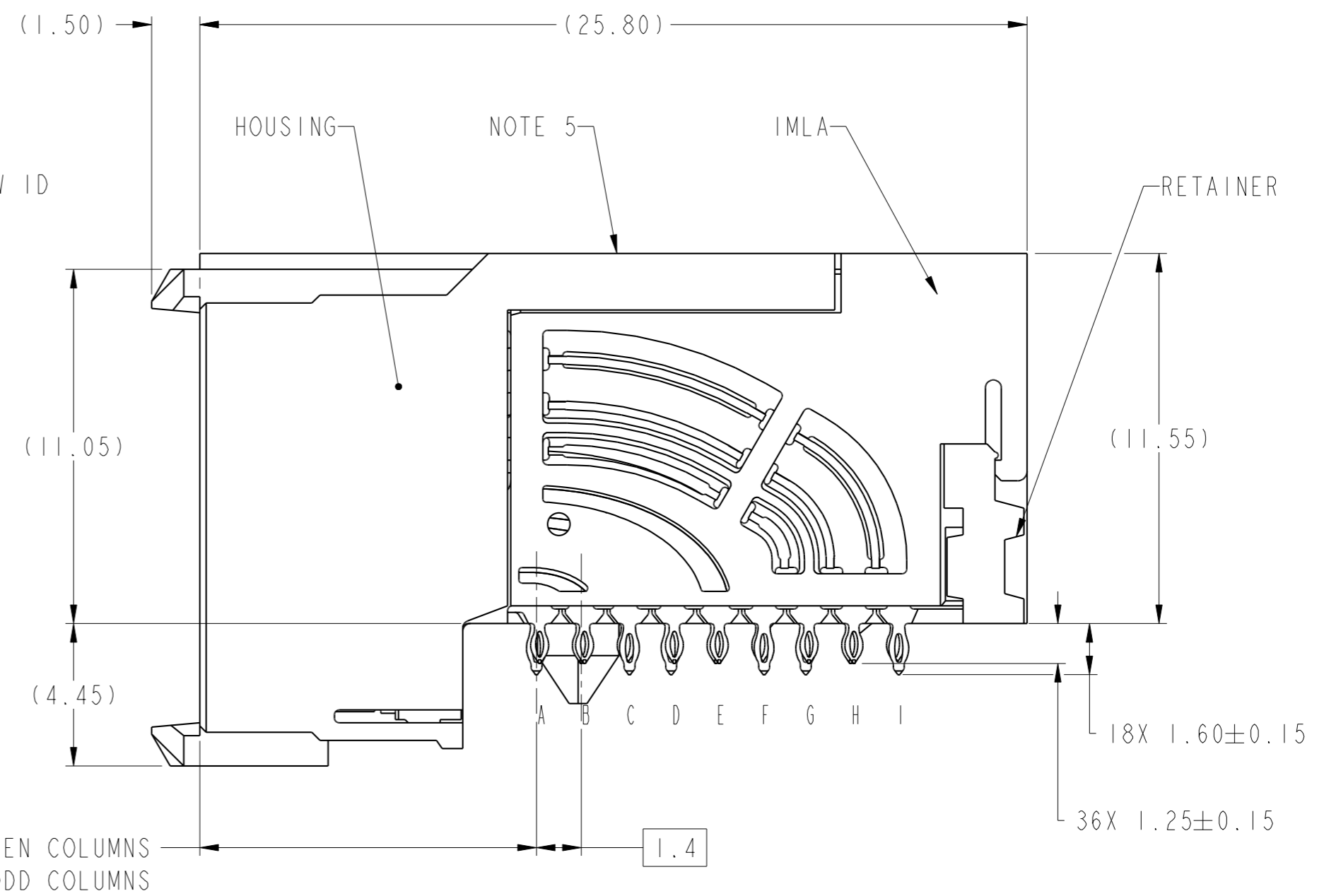
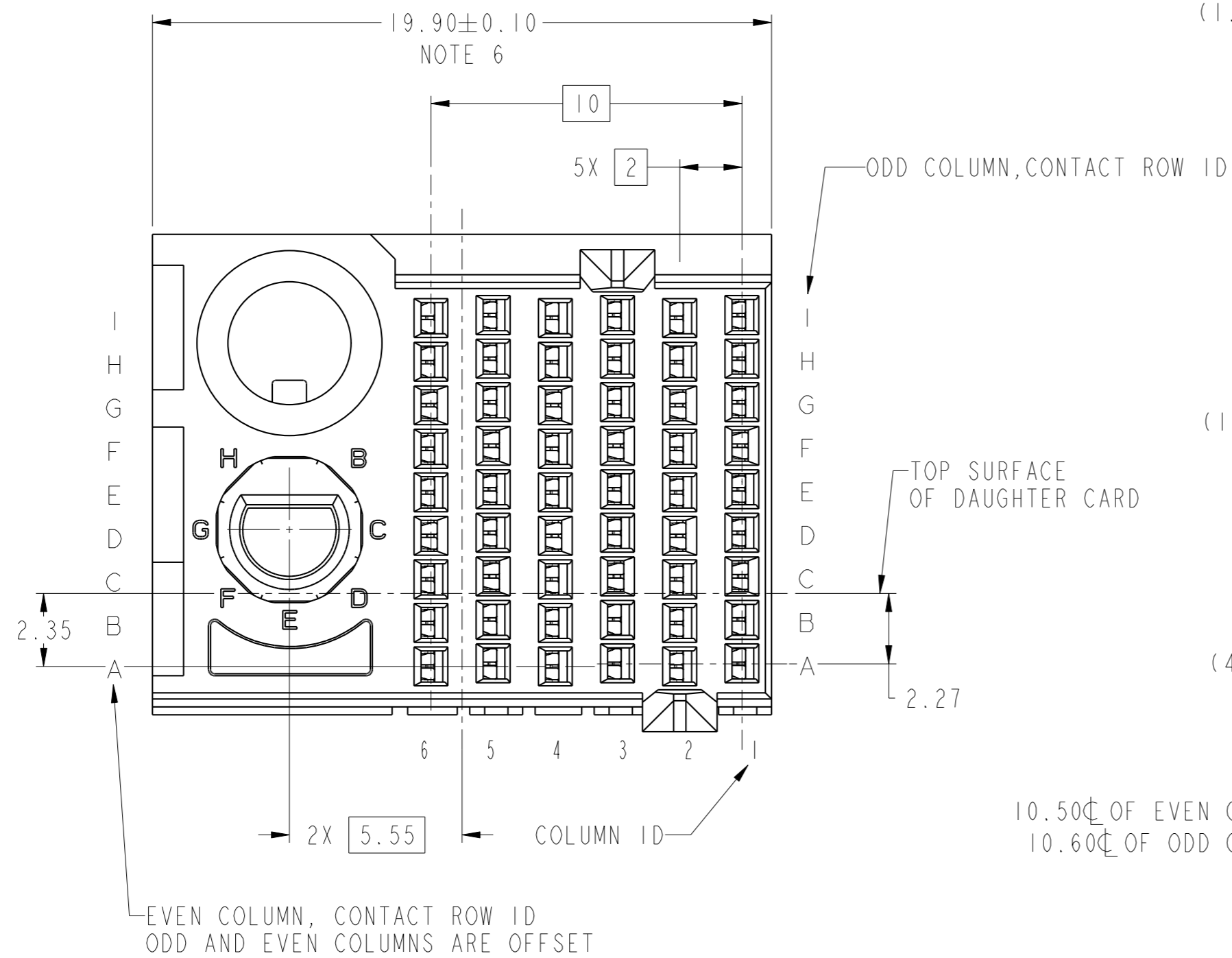


spec ref	---	dr	Jeny Ren	2015/05/20	projection	MM	size	A2	scale	8:1	
tolerance std	ASME Y14.5M	eng	Terry Luo	2019/01/31		rel level	Released				
TOLERANCES UNLESS OTHERWISE SPECIFIED		chr	Stone Li	2019/01/31			product family	AirMax VS2	ecn no	-	rel level
surface	- ✓	linear	0.X	±.3	Amphenol FCI	title	AIRMAX VSE R.A. RECEPTACLE	cat. no.	-	Product - Customer Drw	sheet 1 of 4
			0.XX	±.15							
			0.XXX	±.050							
angular	0°	±°	appr	Heaven Cen	2019/01/31	dwg no	10135262	rev	A		

Amphenol
FCI

© 2016 AFCl

LEFT POLARIZATION WITH GUIDE



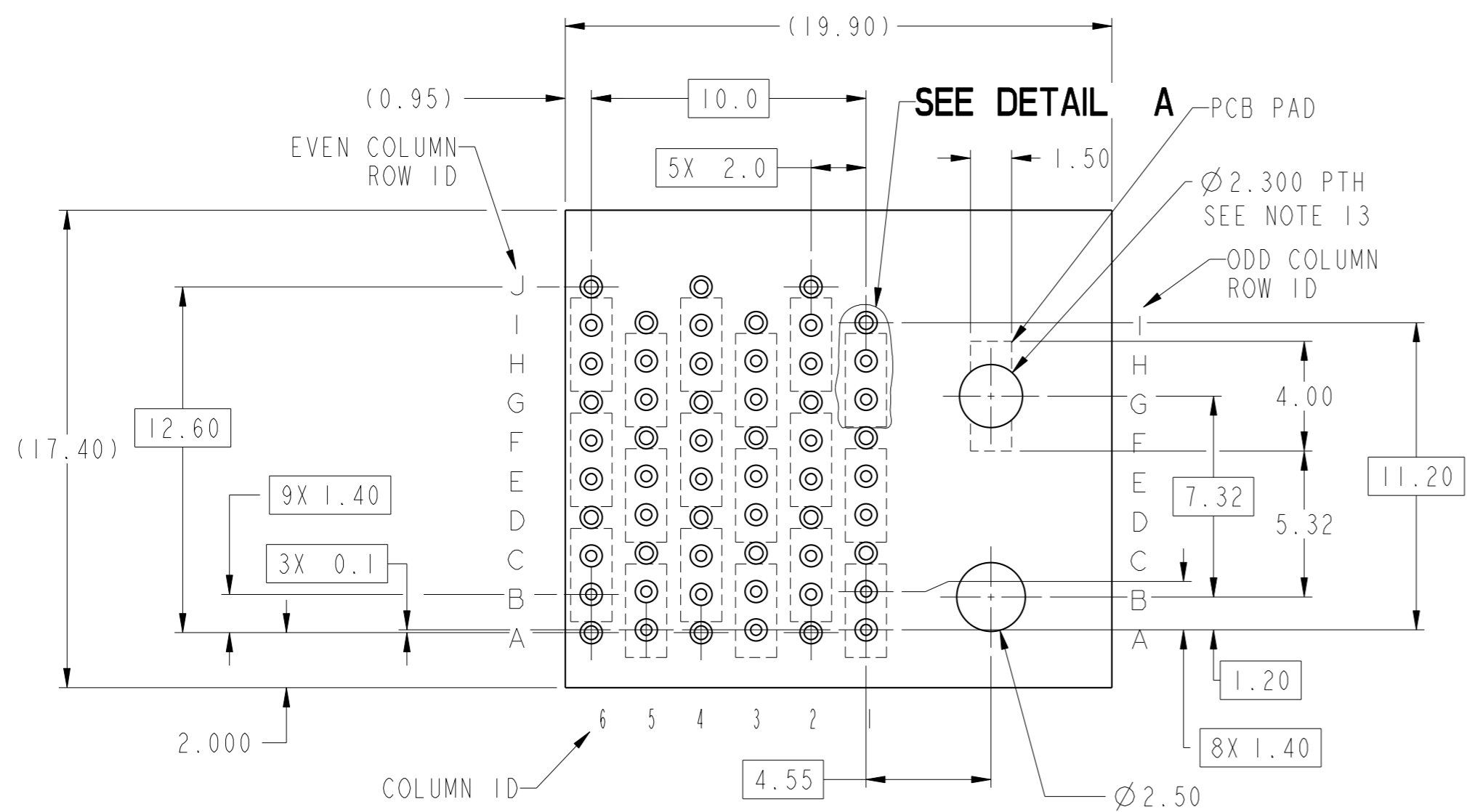
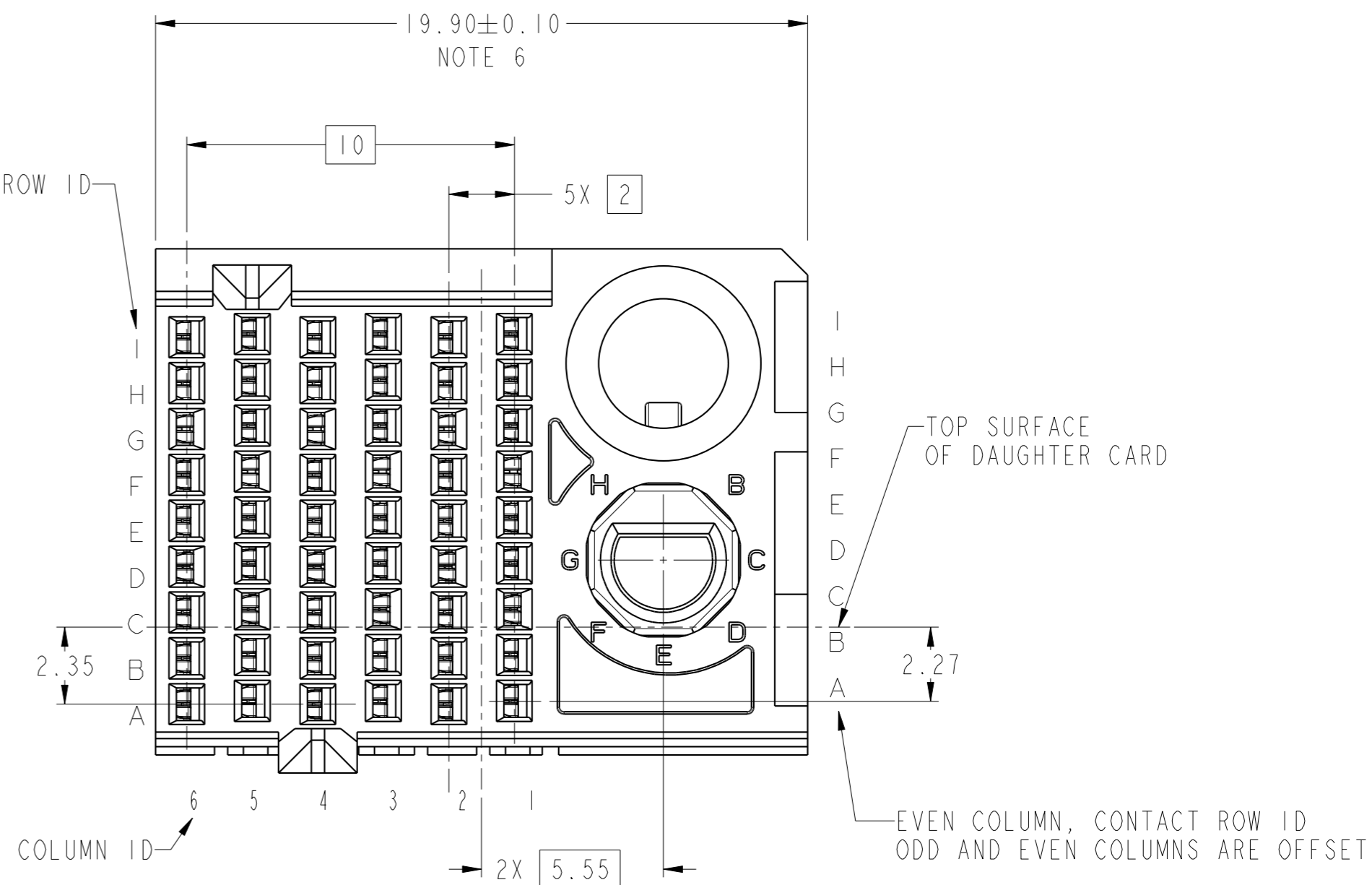
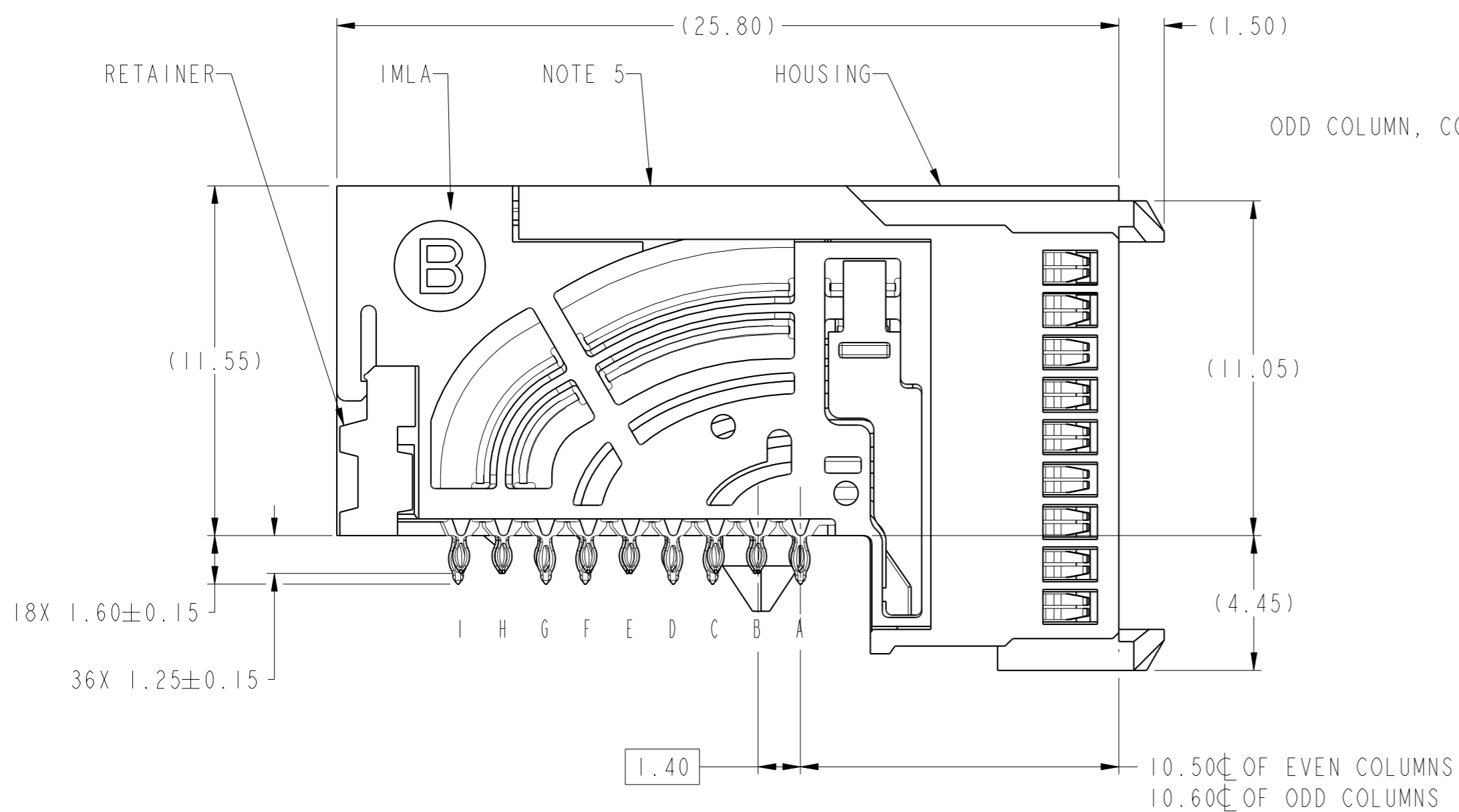
RECOMMENDED PCB LAYOUT

spec ref	---	dr	Jeny Ren	2015/05/20	projection	MM	size	A2	scale	6:1
tolerance std	ASME Y14.5M	eng	Terry Luo	2019/01/31			ecn no	-	rel level	Released
TOLERANCES UNLESS OTHERWISE SPECIFIED		chr	Stone Li	2019/01/31						
surface	linear	0.X	±.3		product family	AirMax VS2	title	AIRMAX VSE R.A. RECEPTACLE	dwg no	10135262
		0.XX	±.15		ASS'Y, 3 PAIR, 54 POS, 6 IMLA, 20MM, W/GUIDE/KEY	rev	A			
	angular	0°	±°		cat. no.	Product - Customer Drw	sheet 2 of 4			

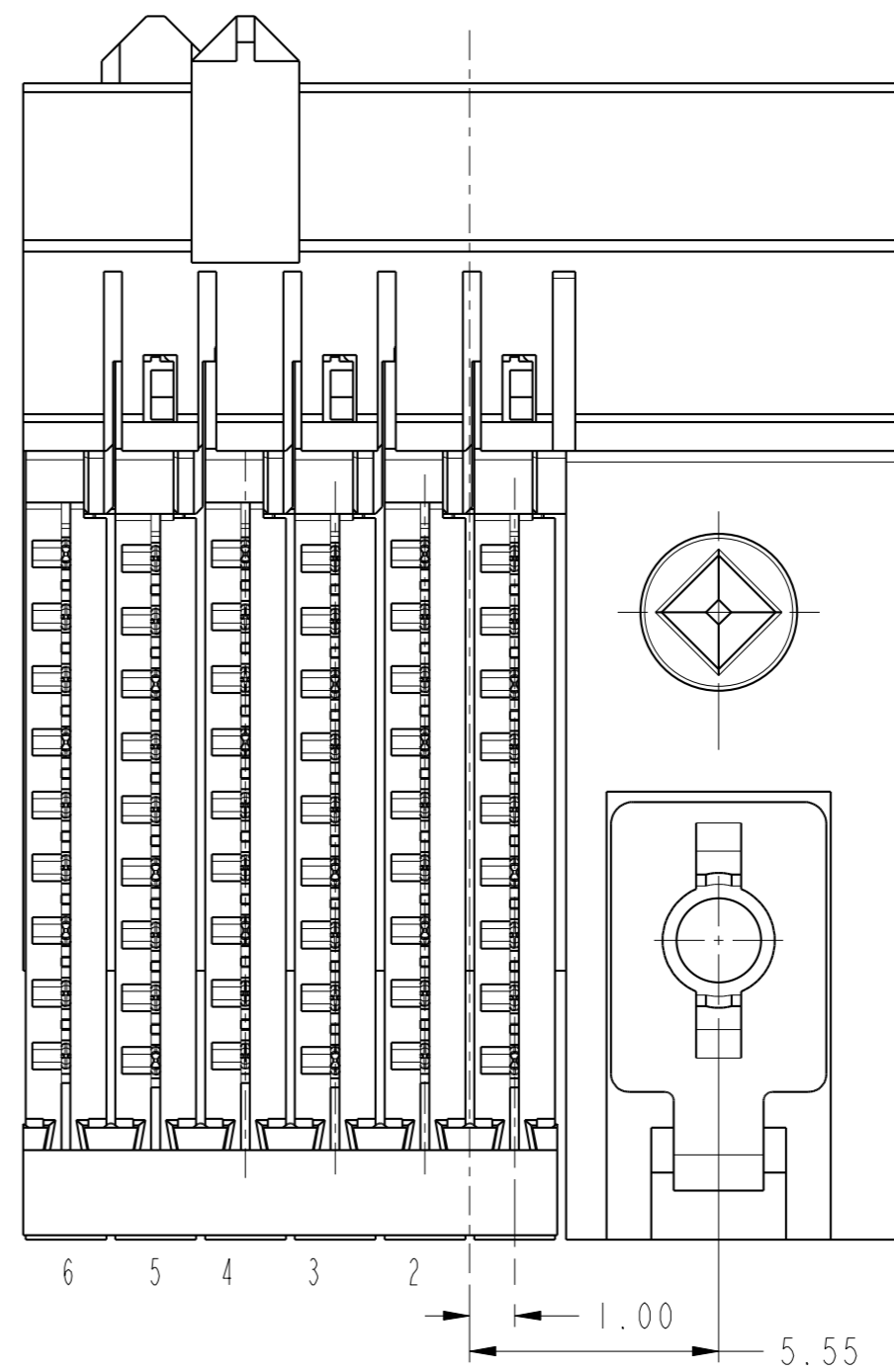
PDS: Rev :A

STATUS:Released

Printed: Jan 31, 2019



RECOMMENDED PCB LAYOUT

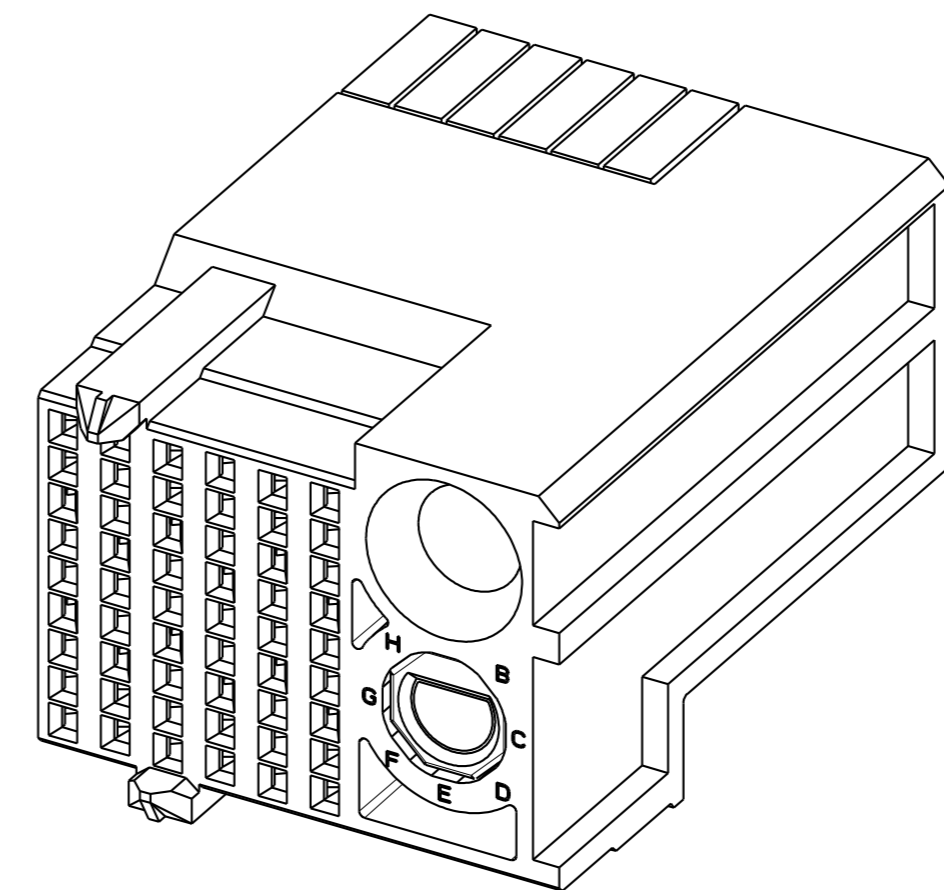


spec ref	---	dr	Jeny Ren	20150520	projection	MM	size	A2	scale	8:1
tolerance std	ASME Y14.5M	eng	Terry Luo	2019/01/31			ecn no	-	rel level	Released
TOLERANCES UNLESS OTHERWISE SPECIFIED		chr	Stone Li	2019/01/31						
surface	✓	appr	Heaven Cen	2019/01/31	product family	AIRMAX VS2	title		AIRMAX VSE R.A. RECEPTACLE	
	linear						dng no		10135262	
	angular						cat. no.		-	
	0.X						Product - Customer Drw		sheet 3 of 4	
	0.XX						rev		A	
	0.XXX						STATUS:Released		Printed: Jan 31, 2019	
	0°						PDS: Rev :A			

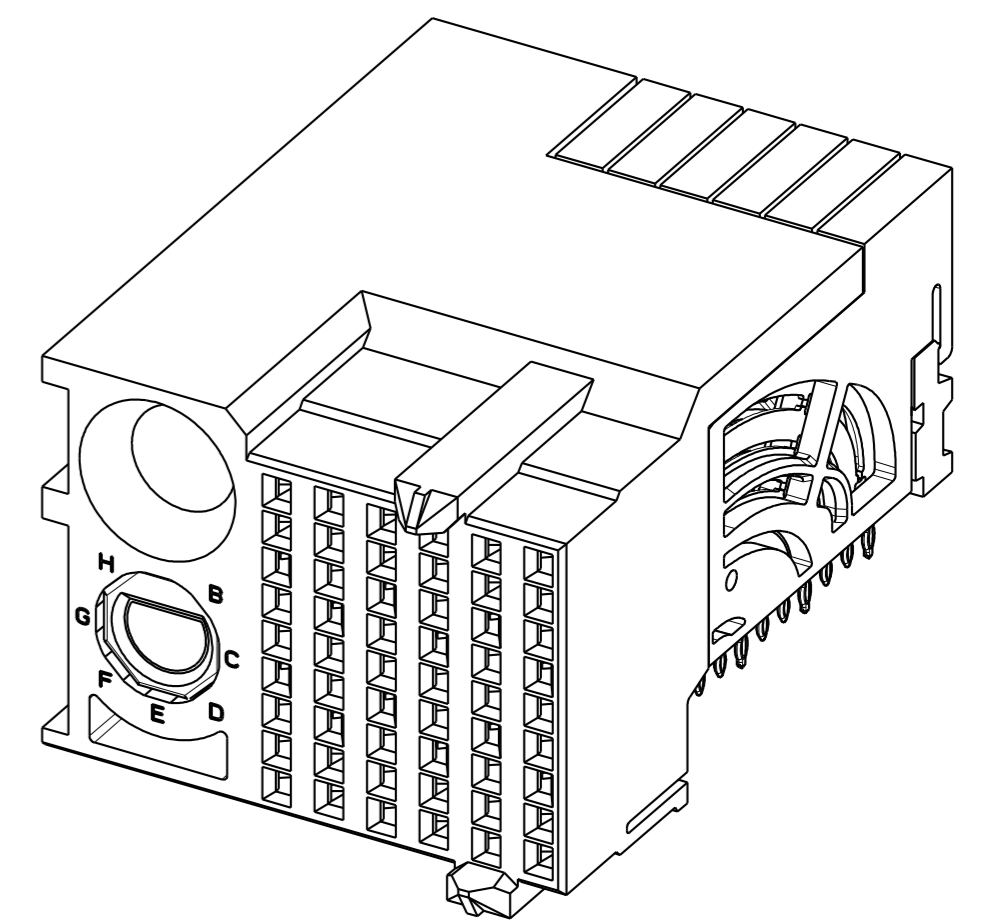
PRODUCT NUMBER	PRESS-FIT TAIL PLATING TYPE
10135262-10*LF	TIN OVER NICKEL (LEAD FREE)

- 1 - CONNECTOR MATERIALS:
HOUSING: HIGH TEMP THERMOPLASTIC, NATURAL, UL94-V0
IMLA PLASTIC: HIGH TEMP THERMOPLASTIC, BLACK, UL94-V0
CONTACT: COPPER ALLOY
ORGANIZER: HIGH TEMP THERMOPLASTIC, WHITE, UL94-V0
- 2 - CONTACT PLATING:
SEPARABLE INTERFACE:
PERFORMANCE-BASED PLATING, QUALIFIED TO MEET THE REQUIREMENTS OF FCI PRODUCT SPECIFICATION GS-12-0956 INCLUDING TELCORDIA GR-1217-CORE (NOVEMBER 1995) CENTRAL OFFICE TEST SEQUENCE

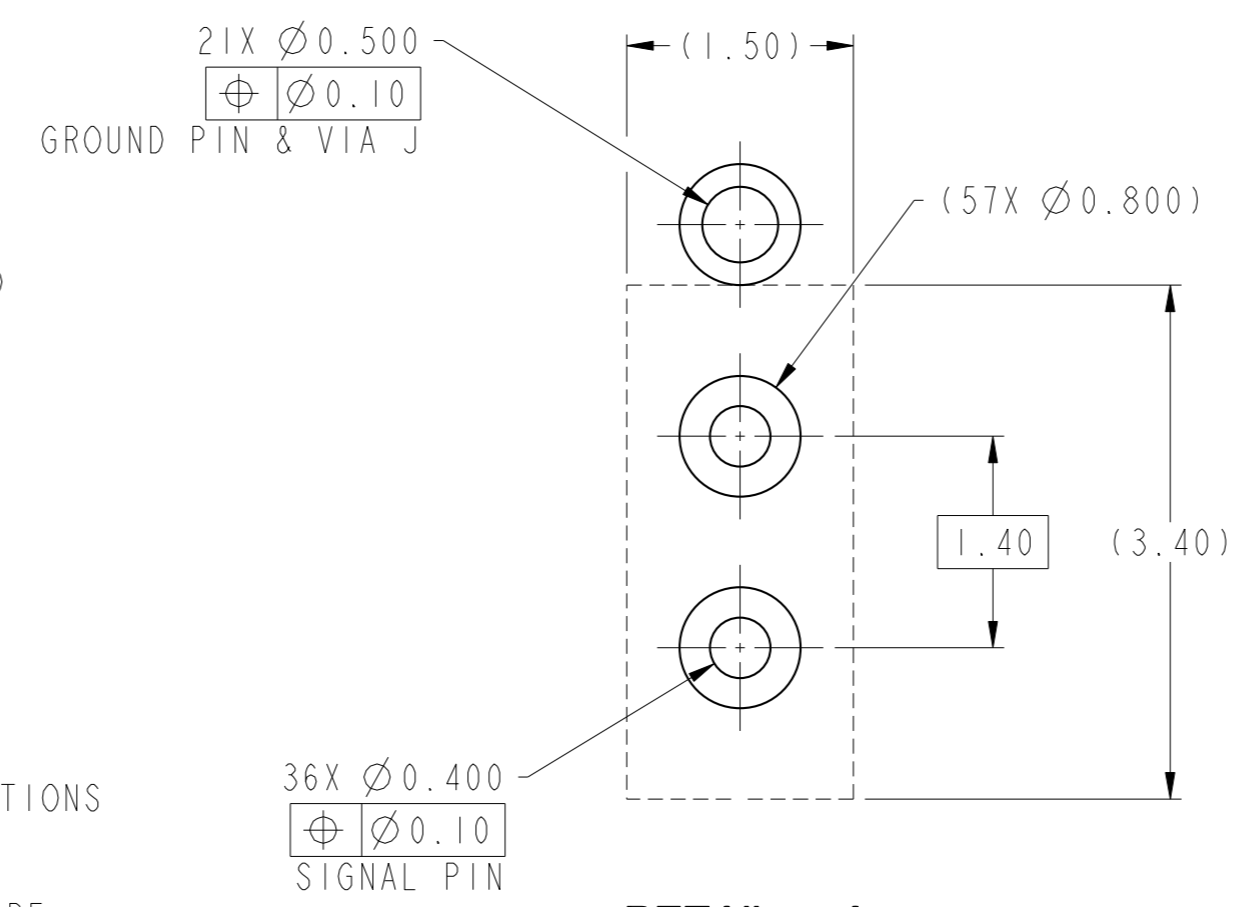
PRESS-FIT TAILS: SEE TABLE
- 3 - PRODUCT SPECIFICATION: GS-12-0956
- 4 - APPLICATION SPECIFICATION: GS-20-0305.
- 5 - PRODUCT MARKING, (PART NUMBER & LOT CODE), ON THIS SURFACE.
- 6 - THE MINIMUM CENTERLINE SPACING BETWEEN ADJACENT MODULES IS 20.0 MM.
- 7 - CONNECTOR OUTLINE MAY BE SCREEN PRINTED ONTO CUSTOMER PCB TO BE USED AS A GUIDE FOR MANUAL CONNECTOR PLACEMENT.
- 8 - REFER TO CUSTOMER DRAWING 10104444 FOR INFORMATION ON PCB HOLE DIAMETERS AND PLATING OPTIONS
- 9 - LEAD FREE PRODUCT MEETS THE EUROPEAN UNION DIRECTIVES & OTHER COUNTRY REGULATIONS AS DESCRIBED IN GS-22-008
- 10 - PACKAGING MEETS GS-14-920 LEAD FREE LABELING SPECIFICATION.
- 11 - GROUND CONTACTS (C, F, AND I IN ODD COLUMNS AND A, D, AND G, EVEN COLUMNS) REQUIRE (Ø0.500) FINISHED HOLES. SIGNAL LOCATIONS REQUIRE (Ø0.400) FINISHED HOLES.
- 12 - THESE OUTER VIAS (J) ARE OPTIONAL. WHILE NO CONNECTOR EONS ARE PRESSED INTO THESE HOLES WE RECCOMEND (Ø0.500) FINISHED HOLES AT THESE LOCATIONS TO PROVIDE GROUND SYMMETRY THROUGH THE PCB.
- 13 - CUSTOMER CAN FIX THE CONNECTOR WITH THREAD FORMING SCREW THROUGH THIS PTH. THE SCREW IS #2-32, THE VALID LENGTH OF SCREW IS 4.5MM PLUS THE THICKNESS OF PCB.



10135262-10ALF



10135262-10PLF



DETAIL A
SCALE 20:1

spec ref	---	dr	Jeny Ren	2015/05/20	projection	MM	size	A2	scale	6:1
tolerance std	ASME Y14.5M	eng	Terry Luo	2019/01/31			ecn no	-	rel level	Released
TOLERANCES UNLESS OTHERWISE SPECIFIED		chr	Stone Li	2019/01/31						
surface	linear	0.X	±.3		product family	AirMax VS2	title AIRMAX VSE R.A. RECEPTACLE ASS'Y, 3 PAIR, 54 POS, 6 IMLA, 20MM, W/GUIDE/KEY	dwg no 10135262	rev A	
		0.XX	±.15		cat. no.	-				
		0.XXX	±.050		Product - Customer Drw	sheet 4 of 4				
	angular	0°	±°							