



Main

Range of product	Magelis Modular iPC
Product or component type	Flat screen
Terminal type	Touchscreen display
Device mounting	Flush

Complementary

Local signalling	Status LED
View angle horizontal x vertical	150 x 140°
Contrast ratio	500:1
Pixel resolution	1366 x 768
Touchscreen resolution	4096 x 4096
Function available	Operate with water on screen
[Us] rated supply voltage	24 V DC power supply 100...240 V AC power supply 47...63 Hz
Supply voltage limits	18...36 V DC
Power consumption in W	48.1 W (typical) with Box PC HMIBMP 63.28 W (maximum) with Box PC HMIBMP 43.1 W (typical) with Box PC HMIBMU 58.28 W (maximum) with Box PC HMIBMU
Display size	18.5 inch
Display type	LED Colour TFT LCD
Display resolution	1366 x 768 pixels WHD FWXGA
Display colour	16777216 colors
Luminance	27.87 fc (300 cd/m ²)
Backlight lifespan	50000 hours at 77 °F (25 °C)
Touch panel	Multi-touch projected capacitive technology (PCT)
Type of installation	Indoor installation
Inrush current	8.9 A
Width	19.22 in (488.3 mm)
Height	12.17 in (309 mm)
Depth	28 mm in front of enclosure 7 mm
Product weight	11.46 lb(US) (5.2 kg)
Product compatibility	Modular box PC

Environment

IP degree of protection	IP66
NEMA degree of protection	NEMA 4X
standards	UL 60950 CSA C22.2 No 60950
product certifications	CCC C-Tick EAC
ambient air temperature for operation	32...131 °F (0...55 °C)
ambient air temperature for storage	-22...158 °F (-30...70 °C)

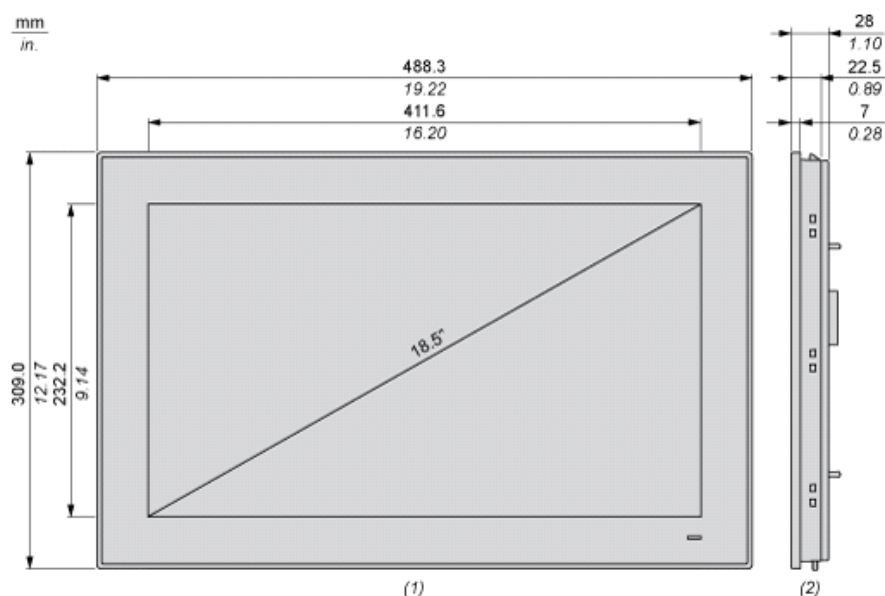
The information provided in this documentation contains general descriptions and/or technical characteristics of the performance of the products contained herein. This documentation is not intended as a substitute for and is not to be used for determining suitability or reliability of these products for specific user applications. It is the duty of any such user or integrator to perform the appropriate and complete risk analysis, evaluation and testing of the products with respect to the relevant specific application or use thereof. Neither Schneider Electric Industries SAS nor any of its affiliates or subsidiaries shall be responsible or liable for misuse of the information contained herein.

pollution degree	2
relative humidity	10...95 % (non-condensing)
operating altitude	6561.68 ft (2000 m)
vibration resistance	1 gn (f = 5...500 Hz) HDD 2 gn (f = 5...500 Hz) SSD 2 gn (f = 5...500 Hz) Cfast card

Offer Sustainability

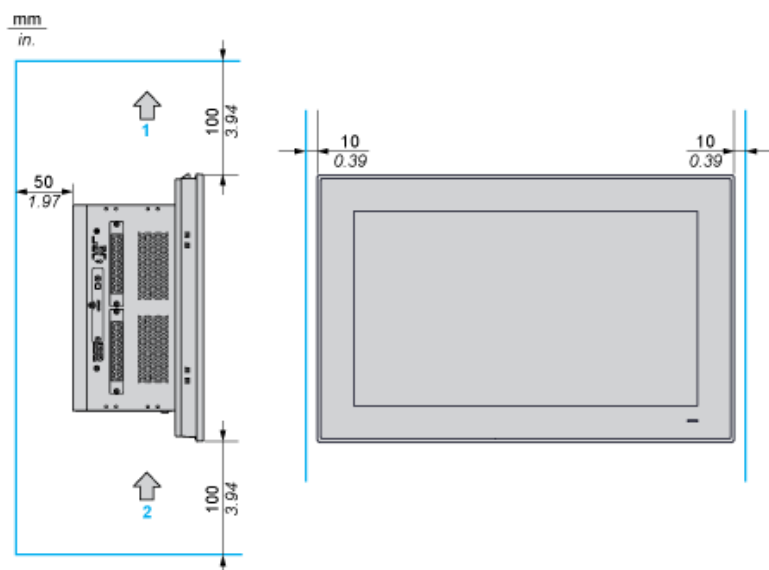
Not Green Premium product	Not Green Premium product
Compliant - since 1604 - Schneider Electric declaration of conformity	Compliant - since 1604 - Schneider Electric declaration of conformity
WARNING: Cancer and Reproductive Harm - www.P65Warnings.ca.gov	WARNING: Cancer and Reproductive Harm - www.P65Warnings.ca.gov

Dimensions



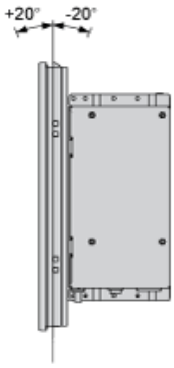
- (1) Front view
- (2) Right view

Spacing Requirements

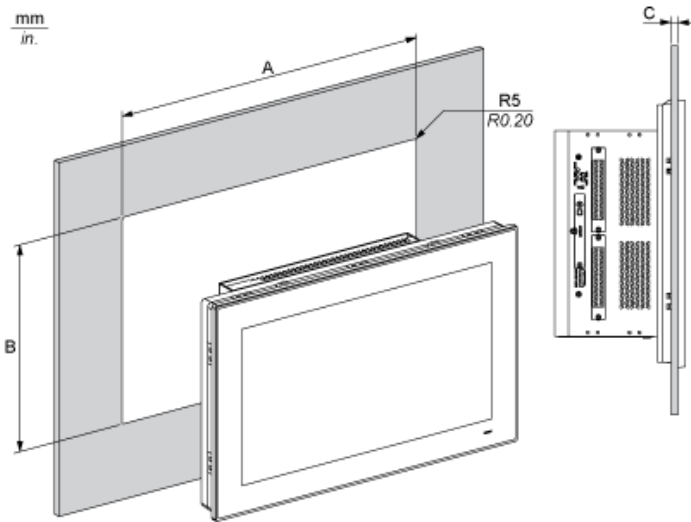


- 1 : Air out
- 2 : Air in

Mounting Orientation



Panel Cut Dimensions



A		B		C		R	
mm	in.	mm	in.	mm	in.	mm	in.
479.3	18.87	300.3	11.82	2...6	0.08...0.23	5	0.20