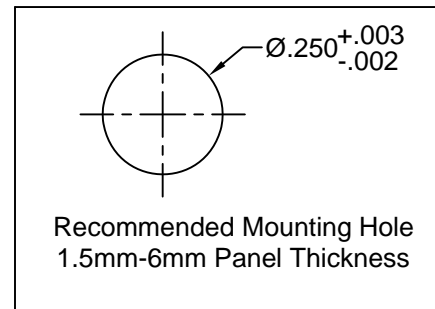
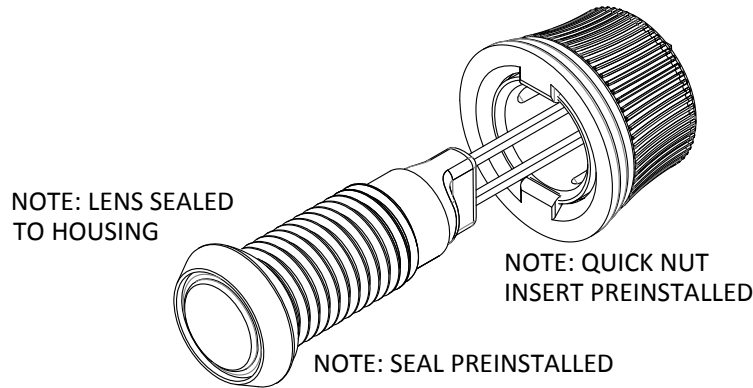
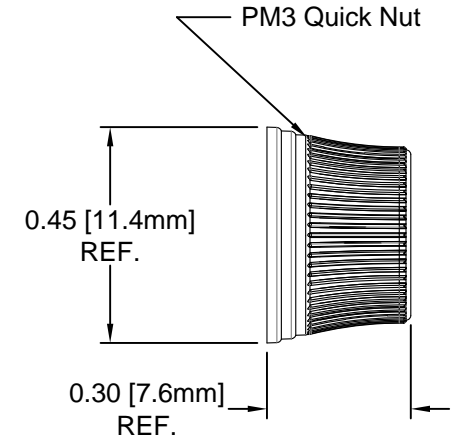
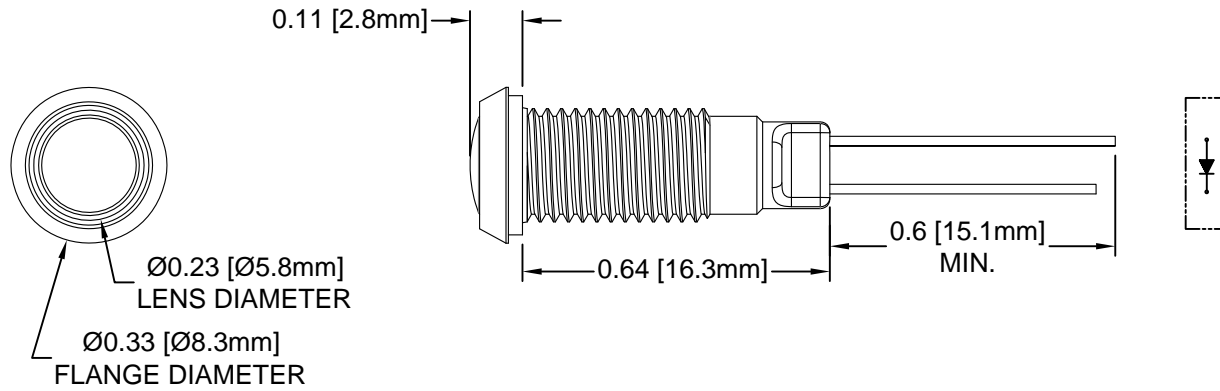
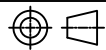


REV.	DESCRIPTION	DATE	APPROVED
A	Engineering Release	03/17/14	J. C.
B	Updated Lead Dimension	09/19/14	J. C.
C	Updated LED Optical Characteristics	09/15/15	J. C.



EXAMPLE:  
PM3-KNGD  
LED Color  
Series

- NOTES:
1. ROHS COMPLIANT
  2. MOUNTING HARDWARE SHIPPED NON-ASSEMBLED

STANDARD TOLERANCE (UNLESS OTHERWISE SPECIFIED)		BIVAR®	
DECIMALS	ANGULAR	4 THOMAS, IRVINE, CA. 92618 TEL: (949) 951-8808 FAX: (949) 951-3974	
.X ±.1	X° ± 1°	 <b>TITLE:</b> Quick-Mount Panel Mount Indicator	
.XX ±.02			
.XXX ±.010			
DESIGNED: <b>Brian Oliver</b>	DATE: <b>03/17/14</b>	<b>PART NO:</b> PM3-KNXXX	REVISION: <b>C</b>
CHECKED: <b>T. Yin</b>	DATE: <b>03/17/14</b>	<b>CAGE CODE :</b> 32559	<b>SHEET #</b> 1 OF 2
CAD GENERATED DOCUMENT. DO NOT MEASURE DRAWING.			


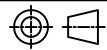
REV.	DESCRIPTION	DATE	APPROVED
	SEE SHEET #1		

Assembly Part Number	LED Part Number	Peak Wave Length $\lambda_p$ (nm)	Emitted Color	Electro-Optical Data @ 20mA		Viewing Angle
				Typ Vf (VDC)	Assembly Iv (mcd)	
				TYP	TYP	
<b>PM3-KNAD</b>	3SAD-S	610	AMBER	2.0	45	120
<b>PM3-KNBWD</b>	3BWD0.245-S	470	BLUE	4.0	90	120
<b>PM3-KNGD</b>	3SGD-S	568	GREEN	2.1	14	120
<b>PM3-KNRD</b>	3SRD-S	645	RED	1.7	18	120
<b>PM3-KNYD</b>	3SYD-S	585	YELLOW	2.1	14	120

Assembly Part Number	LED Part Number	Color Temperature	Emitted Color	Electro-Optical Data @ 20mA		Viewing Angle
				Vf (VDC)	Assembly Iv (mcd)	
				TYP	TYP	
<b>PM3-KNWD</b>	3UWD2.555N	5000K	NEUTRAL WHITE	3.2	1500	120

## ABSOLUTE MAXIMUM RATINGS (Ta = 25°C)

MAXIMUM REVERSE VOLTAGE _____	5V
MAXIMUM POWER DISSIPATION _____	150 mW
OPERATING TEMPERATURE RANGE _____	-30°C ~ 85°C
STORAGE TEMPERATURE _____	-40°C ~ 85°C

STANDARD TOLERANCE ( UNLESS OTHERWISE SPECIFIED )		 4 THOMAS, IRVINE, CA. 92618 TEL: (949) 951-8808 FAX: (949) 951-3974	
DECIMALS	ANGULAR		
		 <b>TITLE:</b> Quick-Mount Panel Mount Indicator	
DESIGNED: <b>Brian Oliver</b>	DATE: <b>03/17/14</b>	<b>PART NO:</b> PM3-KNXXX	REVISION: <b>C</b>
CHECKED: <b>T. Yin</b>	DATE: <b>03/17/14</b>	<b>CAGE CODE : 32559</b>	<b>SHEET # 2 OF 2</b>
CAD GENERATED DOCUMENT. DO NOT MEASURE DRAWING.			